

ROUTE	SECTION	COUNTY	TOTAL SHEETS	SHEET NUMBER
VARIOUS	2009-016 BP	COOK	32	4

Contract 60G14

**GENERAL NOTES FOR PAINT**

CLEANING AND PAINTING OF THE EXISTING STRUCTURAL STEEL SHALL BE AS SPECIFIED IN THE SPECIAL PROVISION FOR "CLEANING AND PAINTING EXISTING STEEL STRUCTURES".

A MINIMUM OF FOUR (4) AIR MONITORS WILL BE REQUIRED TO MONITOR ABRASIVE BLASTING OPERATIONS FOR ALL LOCATIONS. SEE SPECIAL PROVISION FOR "CONTAINMENT AND DISPOSAL OF LEAD PAINT CLEANING RESIDUE."

THE SSPC-QP1 AND SSPC-QP2 PAINTING CONTRACTOR CERTIFICATIONS WILL BE REQUIRED FOR THESE BRIDGES.

THE AREAS DESIGNATED TO BE CLEANED PER NEAR WHITE BLAST CLEANING SSPC-SP10 SHALL BE PAINTED ACCORDING TO THE REQUIREMENTS OF PAINT SYSTEM 1 - OZ/E/U. ALL OTHER LOCATIONS: THE COLOR OF THE FINAL FINISH COAT FOR ALL INTERIOR STEEL SURFACES, AND THE STEEL COLUMNS & PIERS AT LOCATION 3, SHALL BE GRAY, MUNSELL NO 5B 7/1. THE COLOR OF THE FINAL FINISH COAT FOR THE EXTERIOR AND BOTTOM FLANGE OF THE FASCIA BEAMS SHALL BE REDDISH BROWN, MUNSELL NO 2.5YR 3/4.

ALL ITEMS (SUCH AS, BUT NOT LIMITED TO; CONDUITS, BRACKETS AND DECK DRAINS) ATTACHED TO THE OUTSIDE OF THE FASCIA BEAMS SHOULD BE CLEANED AND PAINTED.

LOCATION 1 (SN 016-0119)

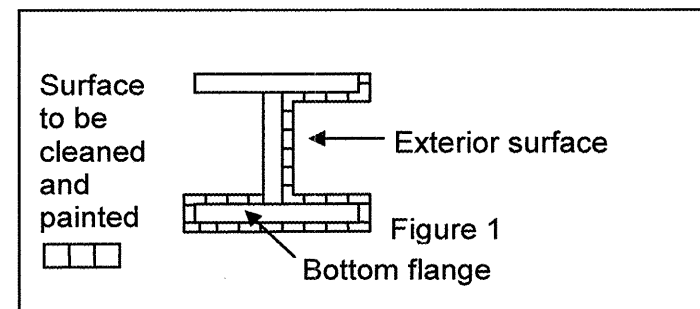
ALL BEARINGS SHALL BE CLEANED PER NEAR WHITE BLAST CLEANING SSPC-SP10. THE EXTERIOR SURFACES OF THE FACIA BEAMS, INCLUDING BEARING RISERS, TOP AND BOTTOM OF THE BOTTOM FLANGE OF THE FASCIA BEAMS (SEE FIGURE 1), THE TOP AND BOTTOM OF THE BOTTOM FLANGE OF ALL INTERIOR BEAMS AND ALL LOWER HORIZONTAL BRACING SHALL BE CLEANED PER NEAR WHITE BLAST CLEANING SSPC-SP10. DO NOT CLEAN OR PAINT THE BEARING SUPPORT GRILLAGES.

LOCATION 2 (SN 016-1137)

ONLY THE EXTERIOR SURFACES AND TOP AND BOTTOM OF THE BOTTOM FLANGE OF THE FASCIA BEAMS (SEE FIGURE 1) SHALL BE CLEANED PER NEAR WHITE BLAST CLEANING SSPC-SP10.

LOCATION 3 (SN 016-2519)

ALL BEAMS, BEARINGS, AND OTHER STRUCTURAL STEEL WITHIN FIVE (5) FT., (MEASURED ALONG THE BEAM) OF EITHER SIDE OF ALL JOINTS, SHALL BE CLEANED PER NEAR WHITE BLAST CLEANING SSPC-SP10. THE EXTERIOR SURFACES AND TOP AND BOTTOM OF THE BOTTOM FLANGE OF THE FASCIA BEAMS (SEE FIGURE 1), AND ALL STEEL COLUMNS, STEEL PIERS, AND CROSS GIRDERS SHALL BE CLEANED PER NEAR WHITE BLAST CLEANING SSPC-SP10.



**FASCIA BEAM PAINTING DETAIL**

**FIGURE 1**

ILLINOIS DEPARTMENT OF TRANSPORTATION

GENERAL PAINT NOTES