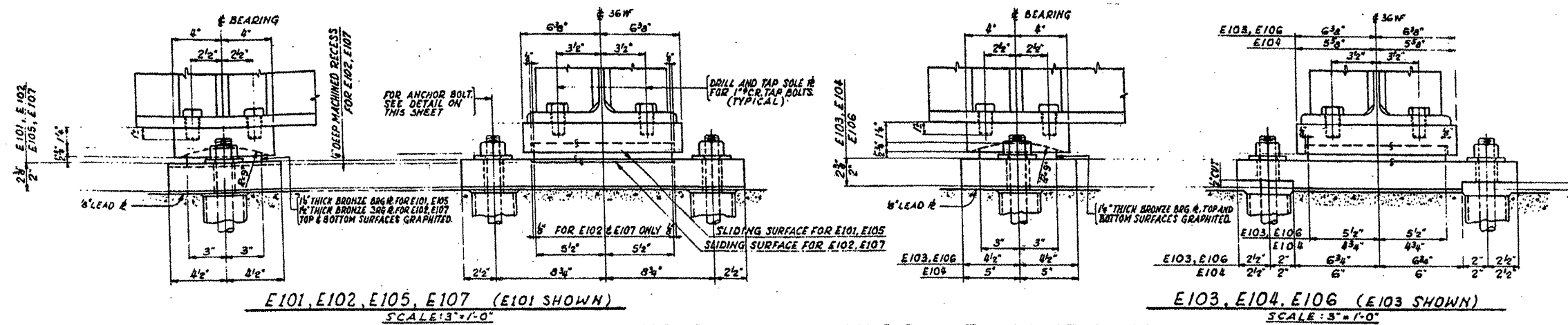


ROUTE	SECTION	COUNTY	TOTAL SHEETS	SHEET NUMBER
VARIOUS	2009-016 BP	COOK	32	20

CONTRACT NO. 60G14



EXPANSION BEARINGS AT ABUTMENTS.

LOCATION NO. 2
EXIST. BRIDGE PLANS
UP RR OVER I-55
SN 016-1137