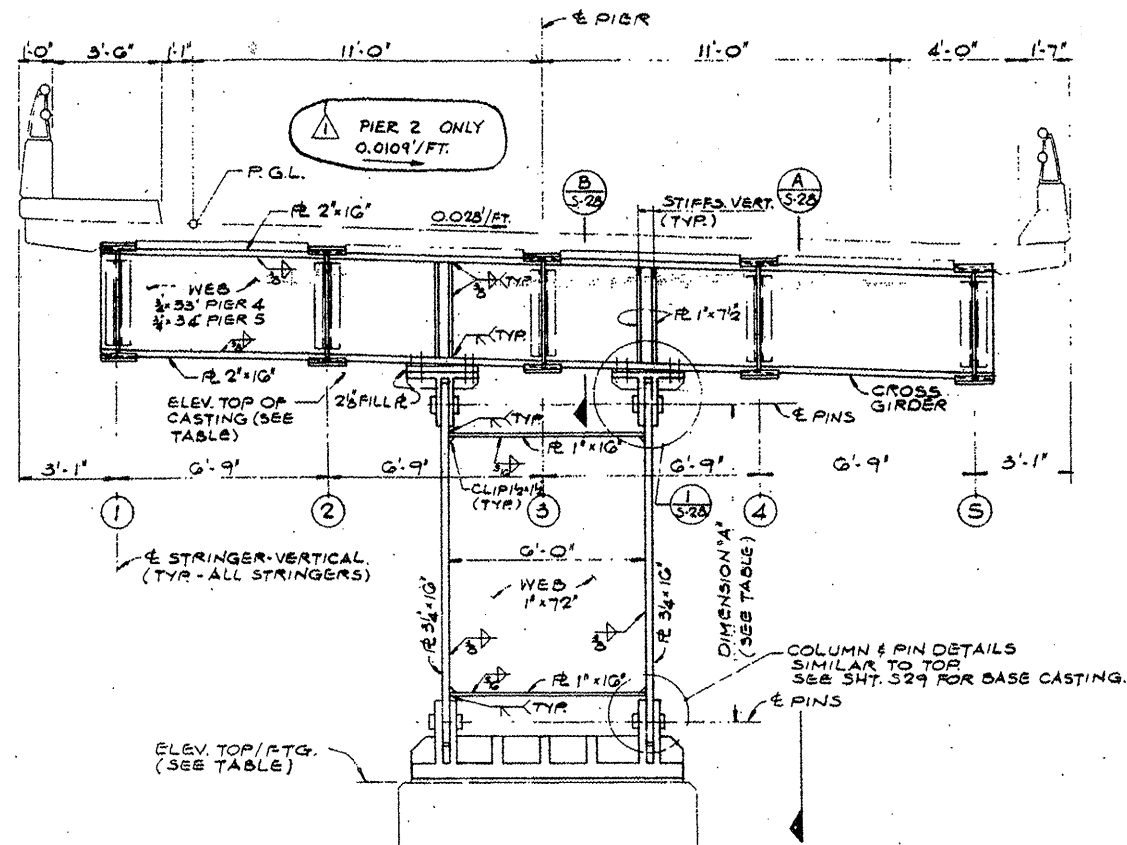
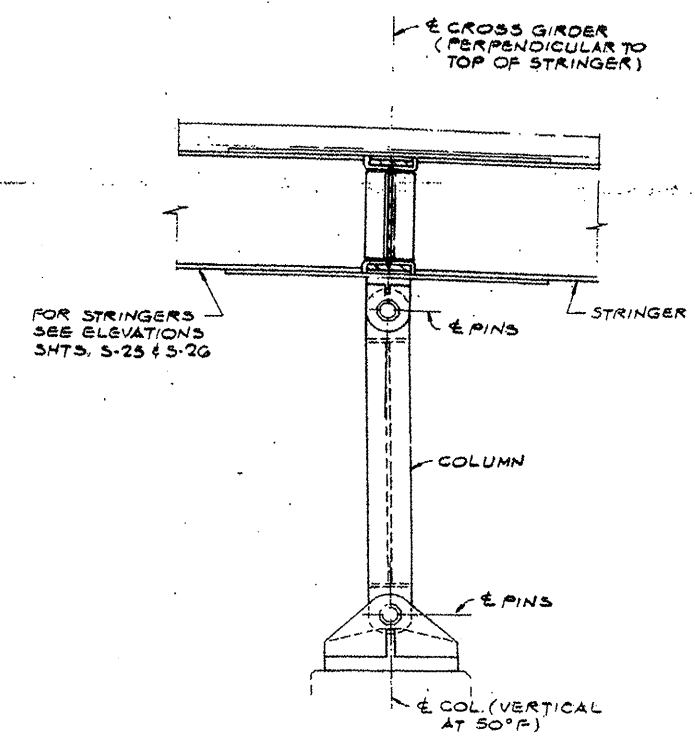


ROUTE VARIOUS	SECTION 2009-016 BP	COUNTY Cook	TOTAL SHEETS 32	SHEET NUMBER 24
------------------	------------------------	----------------	--------------------	--------------------

CONTRACT NO. 60G14

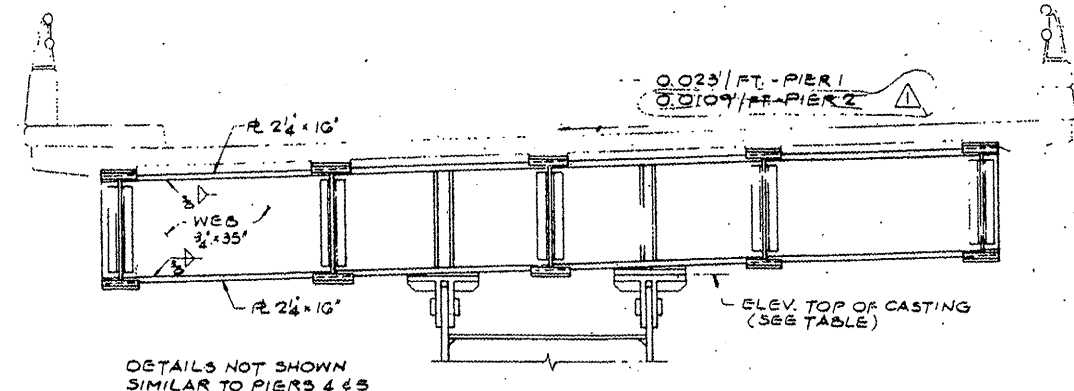


TYPICAL SECTION AT BENTS 4 & 5



A SECTION

	PIER #1	PIER #2	PIER #3	PIER #4
ELEV. TOP OF CASTING	657.194'	656.400'	656.380'	655.010'
ELEV. TOP OF FOOTING	644.150'	644.25'	645.50'	646.80'
E TO E PINS (1A')	10'-2 1/2'	10'-2 1/2'	8'-0 1/2'	5'-4 1/2'



TYPICAL SECTION AT BENTS 1 & 2

LOCATION NO. 3

**EXIST. BRIDGE PLANS
IL 72 WB OVER EB I-90 RAMP
TO IL 43 SN 016-2519**