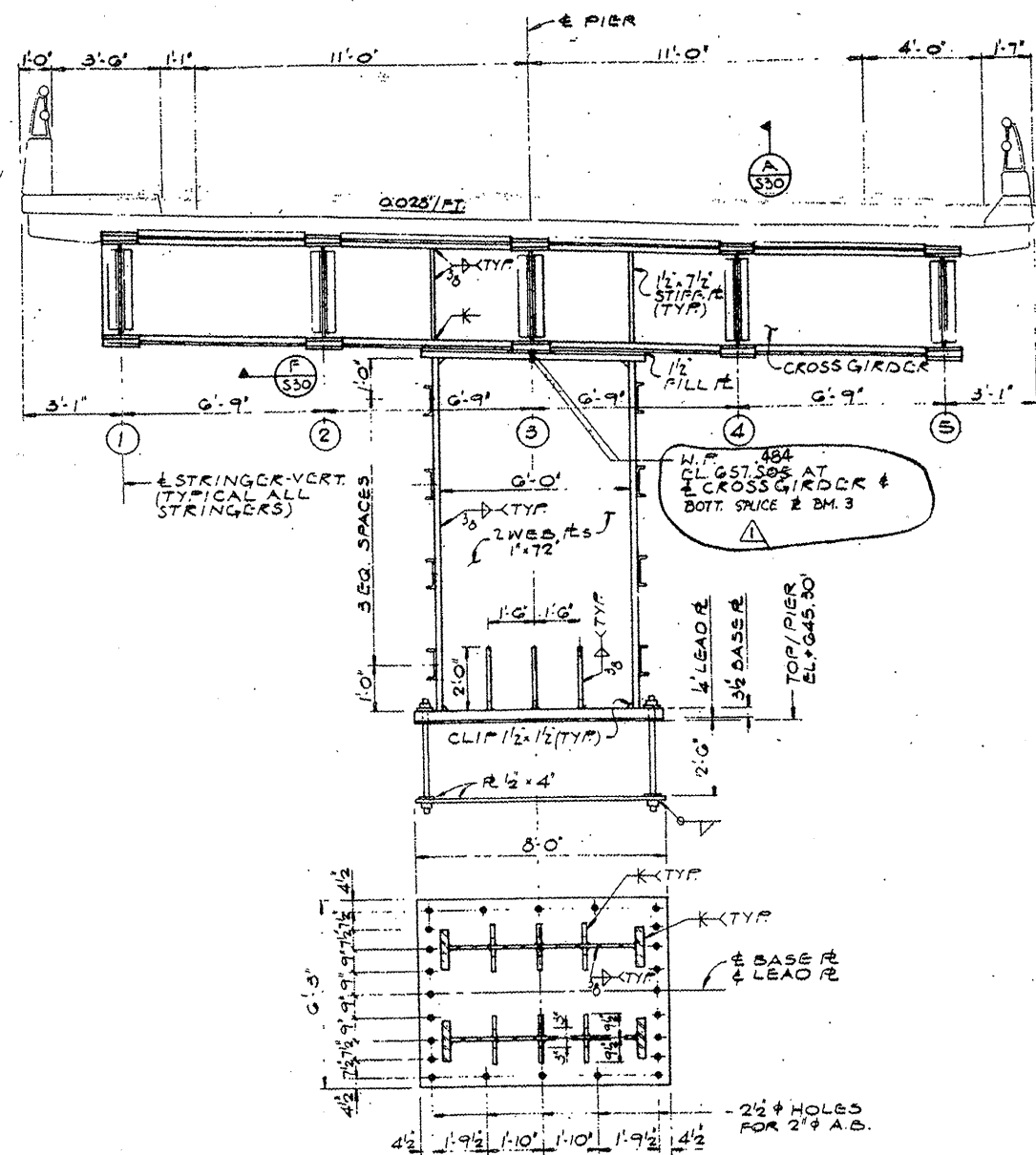
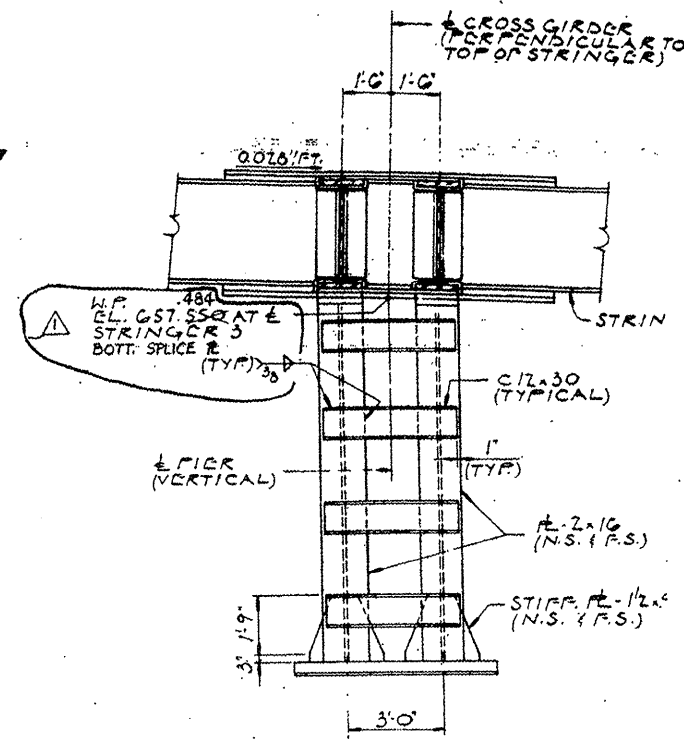


ROUTE	SECTION	COUNTY	TOTAL SHEETS	SHEET NUMBER
VARIOUS	2009-016 BP	COOK	32	25

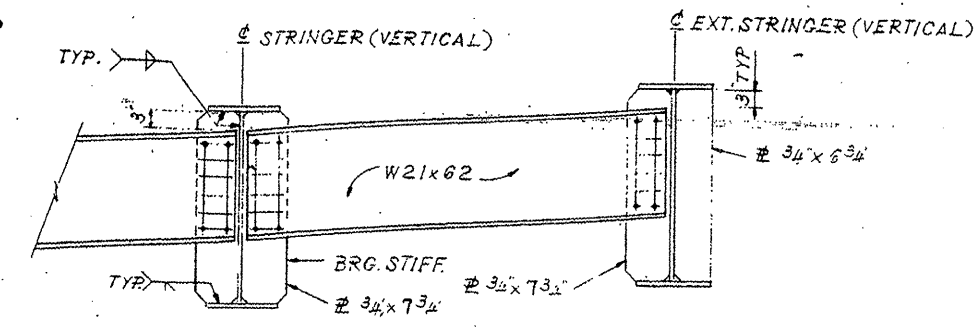
CONTRACT NO. 60G14



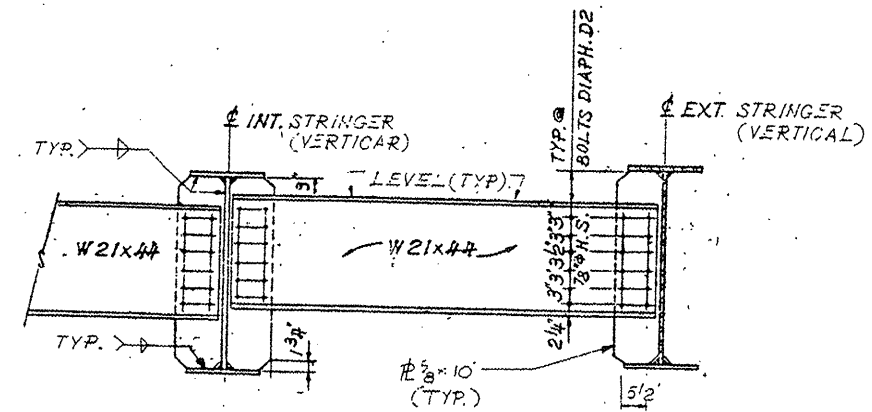
SECTION AT PIER #3



ELEVATION AT PIER #3



DIAPHRAGM D1



DIAPHRAGM D2

LOCATION NO. 3

**EXIST. BRIDGE PLANS
IL 72 WB OVER EB I-90 RAMP
TO IL 43 SN 016-2519**