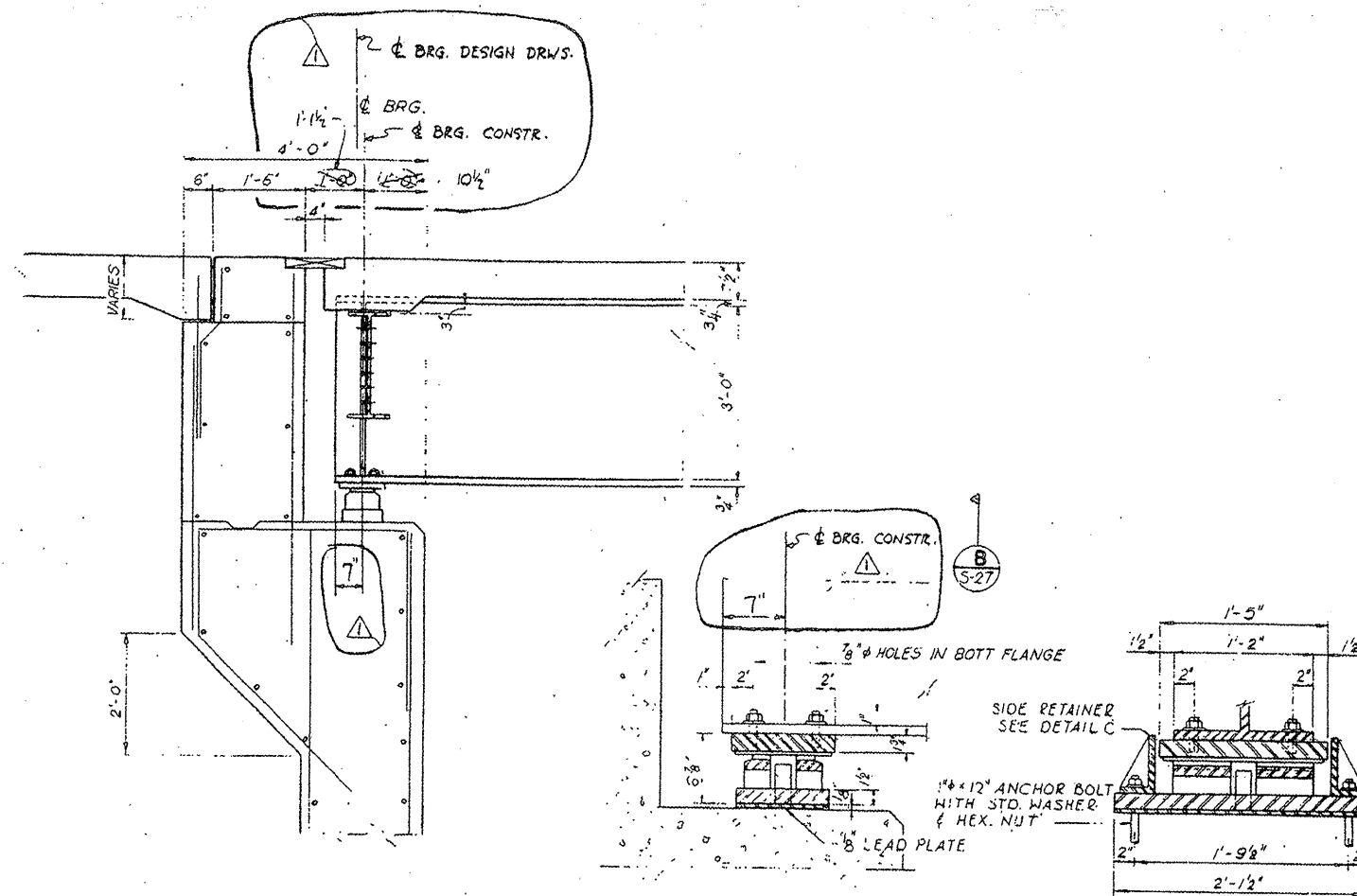


ROUTE VARIOUS	SECTION 2009-016 BP	COUNTY Cook	TOTAL SHEETS 32	SHEET NUMBER 26
-------------------------	-------------------------------	-----------------------	---------------------------	---------------------------

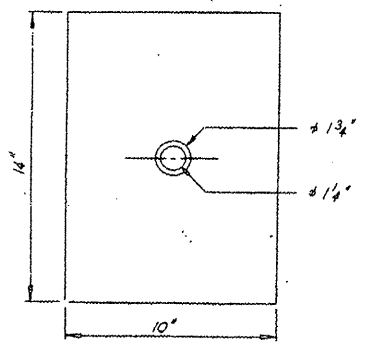
CONTRACT NO. 60G14



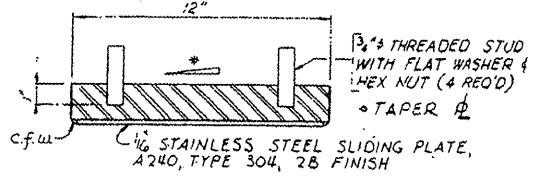
A SECTION
SCALE: 3/4" = 1'-0"

BEARINGS AT ABUTMENTS
SCALE: 1 1/2" = 1'-0"

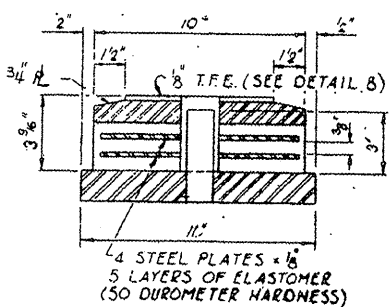
B SECTION
SCALE: 1 1/2" = 1'-0"



SLOT DETAIL
SCALE: 3" = 1'-0"



TOP BEARING
SCALE: 3" = 1'-0"



BOTTOM BEARING
SCALE: 3" = 1'-0"

LOCATION NO. 3

EXIST. BRIDGE PLANS
IL 72 WB OVER EB I-90 RAMP
TO IL 43 SN 016-2519