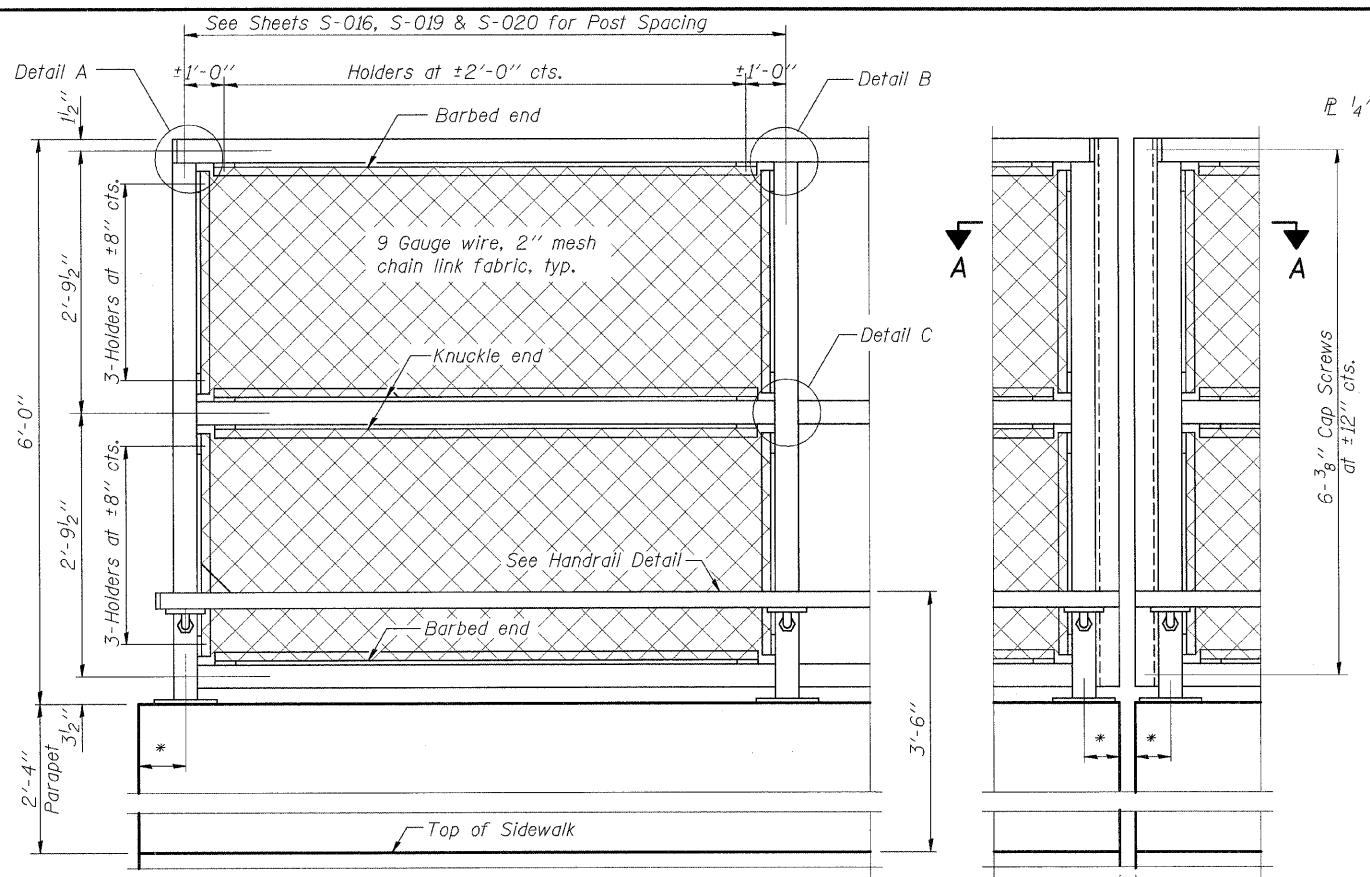
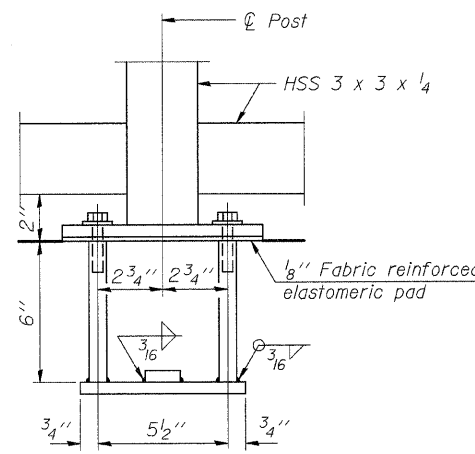


All steel rail elements shall be galvanized according to Article 509.05 of the Standard Specifications.



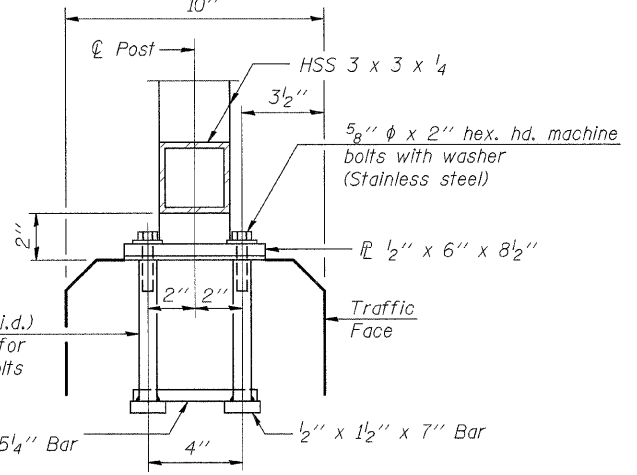
**ELEVATION**  
(Inside Face)

**ELEVATION**  
(At Expansion Joint)

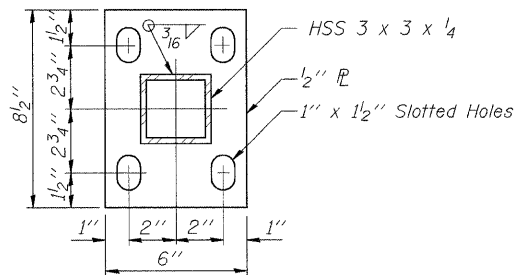


**ANCHOR BOLT DETAILS**

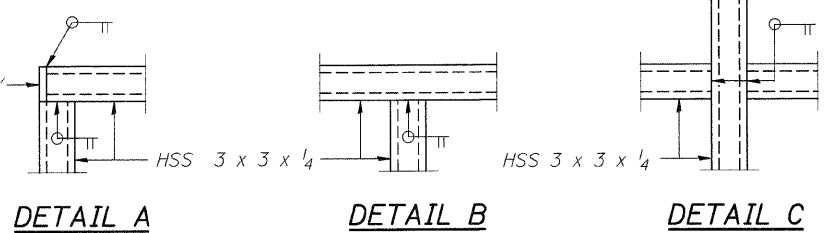
In lieu of the cast-in-place anchor device shown, the Contractor has the option of drilling and setting 5/8"  $\phi$  anchor rods according to Article 509.06 of the Standard Specifications. Embedment shall be according to the manufacturer's specifications.



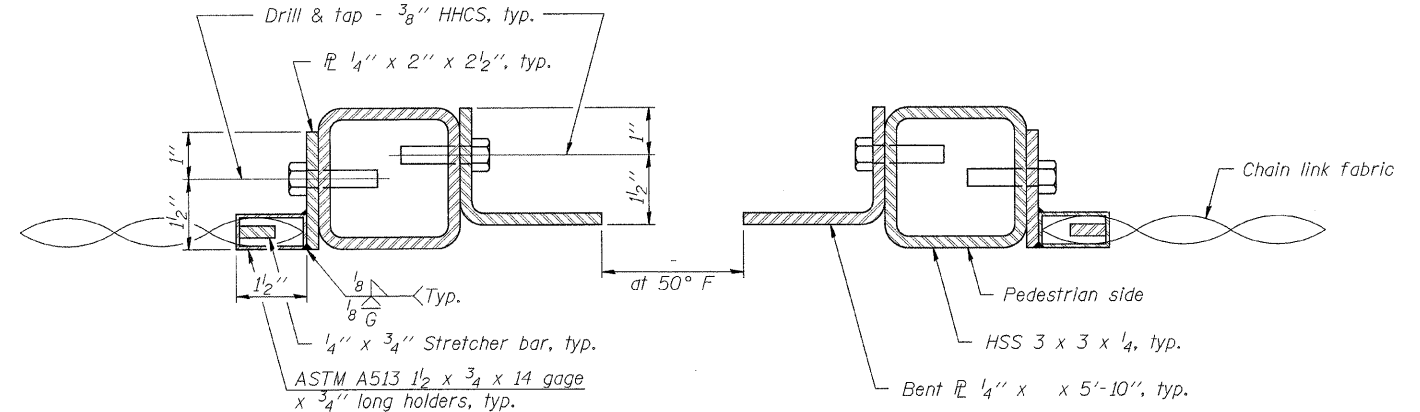
**BASE R**  
(Traffic Face)



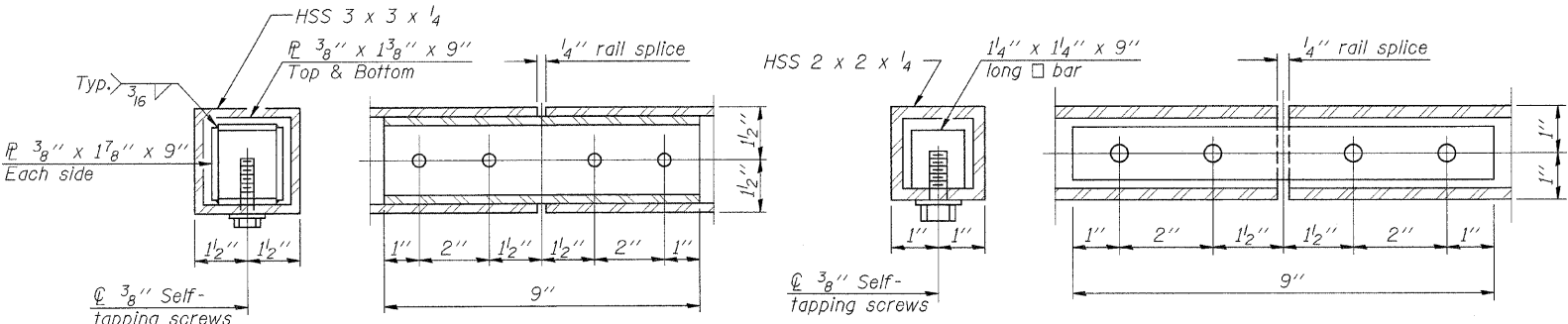
**BASE R**  
(Handrail)



**DETAIL A**      **DETAIL B**      **DETAIL C**

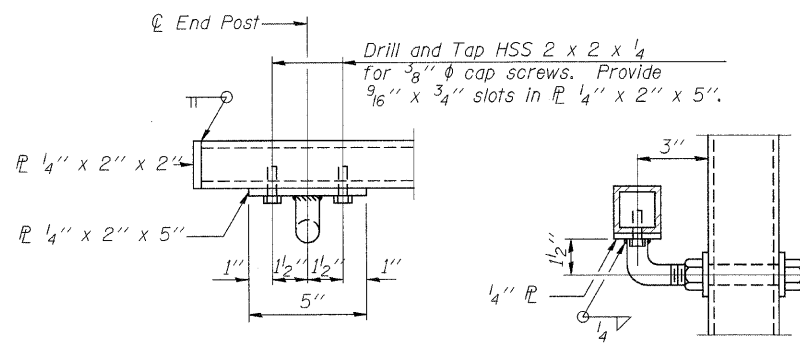


**SECTION A-A**

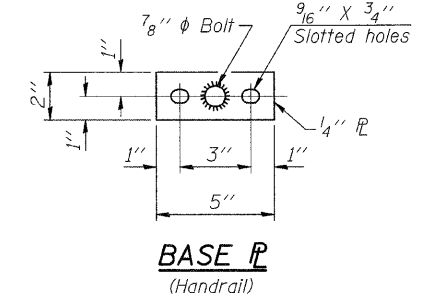


**RAIL SPLICE**

**HANDRAIL SPLICE**



**HANDRAIL DETAIL**



**BASE R**  
(Handrail)

**BILL OF MATERIAL**

Item	Unit	Quantity
Bridge Fence Railing	Foot	85

SHT. S-012

REVISIONS	NAME	DATE

ILLINOIS DEPARTMENT OF TRANSPORTATION  
 F.A.I. ROUTE 57 (INTERSTATE 57)  
 112TH PLACE BRIDGE DECK REPLACEMENT  
 112th PLACE OVER I-57  
 SN 016-0988 STA. 546+15.56  
 COOK COUNTY  
 BRIDGE FENCE RAILING  
 PARAPET MOUNTED 2

DATE: 01/16/09  
 DRAWN BY: TMH  
 CHECKED BY: JLR



TENG & ASSOCIATES, INC.  
 ENGINEERS/ARCHITECTS/PLANNERS  
 205 N. MICHIGAN AVE., CHICAGO, IL 60601  
 TELEPHONE 312.616.0000

R-28 10-1-08  
 14B-2001-0608ZT  
 15 UNIFORMITY 03288601S TRUCTORVIRROOVX.DGN  
 PLOT DATE: N/A  
 COLOR TABLE: K:\STANDARD\TENG\DATA\COLORTABLE.TBL  
 PLOT FILE: N/A

R-28

10-1-08  
 \* Variable - See Sheets S-016,  
 S-019 & S-020