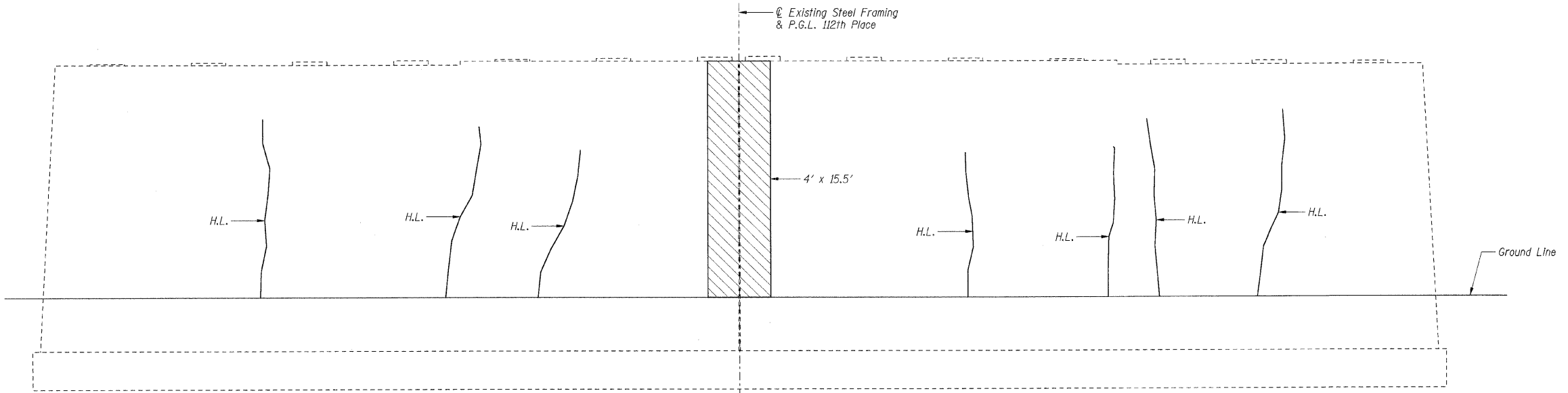
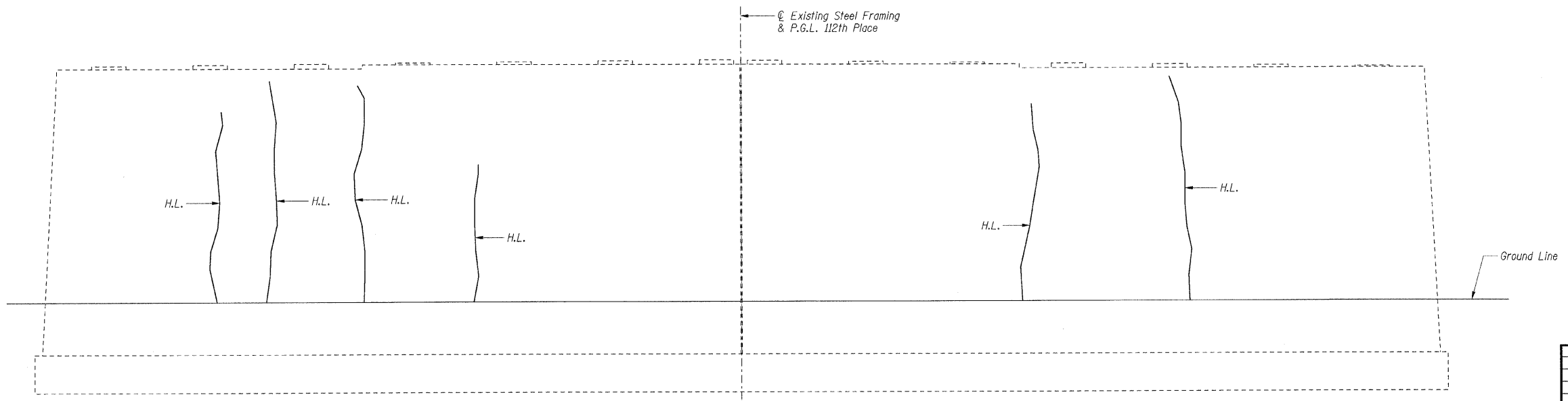


TOP PLAN



ELEVATION
(Looking East)



ELEVATION
(Looking West)

- Notes:**
- Quantities indicated with a double asterisk (**) are estimated quantities to be determined by the Engineer in the field. Adjustment to the quantities shall not be cause for additional compensation; however the Contractor will be paid for the quantity of work performed at the unit price bid for the work.
 - Girders 7 and 8 shall be supported during concrete repairs in accordance with the Special Provision for Temporary Shoring and Cribbing.

- LEGEND**
- Structural Repair of Concrete (Depth Equal to or Less Than 5")
 - H.L. → Hairline Crack - Not to be Sealed

BILL OF MATERIAL		
Item	Unit	Total
Structural Repair of Concrete (Depth Equal to or Less Than 5")**	Sq Ft.	96

SHT. S-017

REVISIONS	
NAME	DATE

ILLINOIS DEPARTMENT OF TRANSPORTATION
 F.A.I. ROUTE 57 (INTERSTATE 57)
 112TH PLACE BRIDGE DECK REPLACEMENT
 112TH PLACE OVER I-57
 SN 016-0988 STA. 546+15.56
 COOK COUNTY

PIER REPAIRS

DATE: 01/16/09

DRAWN BY: TMH
 CHECKED BY: JLR

TENG
 TENG & ASSOCIATES, INC.
 ENGINEERS/ARCHITECTS/PLANNERS
 205 N. MICHIGAN AVE., CHICAGO, IL 60601
 TELEPHONE: 312.655.0000

\\GPECONE4.DGN, \\BRBORDER.DGN, \\FRP0005.DGN, \\AB100L-INDEN, \\ABTD0086.DGN, \\HOLGRTM
 2-27-2005, 4:35:29 PM, \\DOCUMENT\950860\STRUCT\UDON\PRODFR.DGN
 color Table: K:\STANDARD\TENG.DIA\COLORTABLE.TBL
 pen Table: N/A