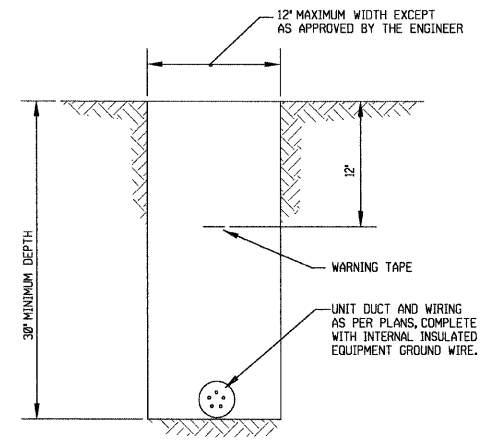
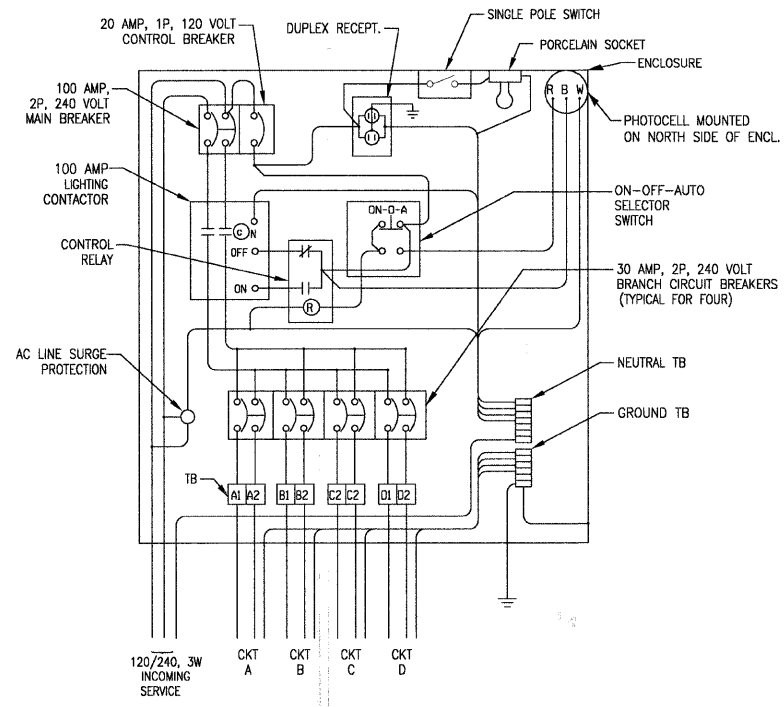


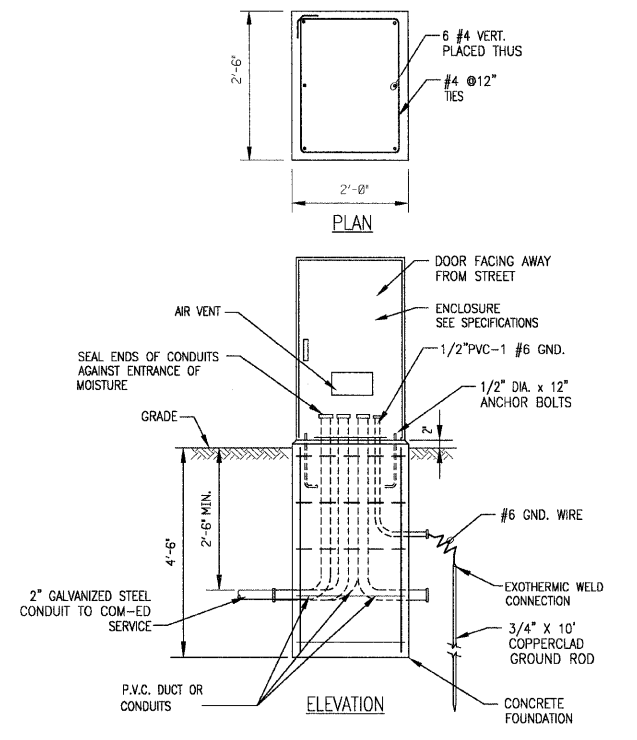
SPLICING ELECTRICAL CABLES
BASIC MATERIALS AND METHODS
NO SCALE



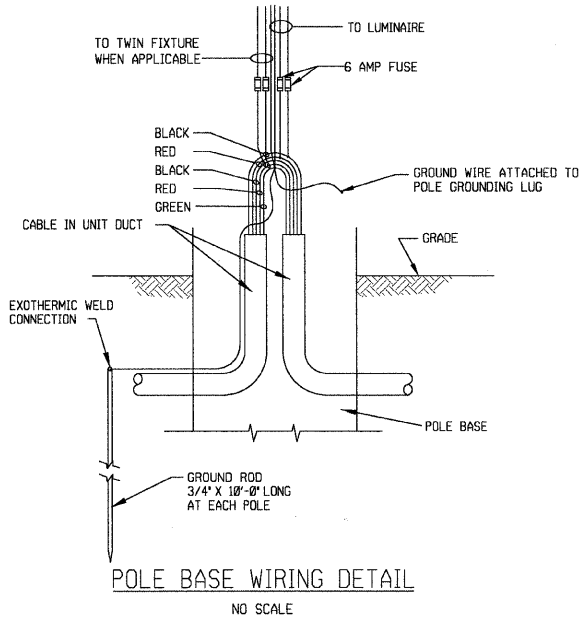
TYPICAL WIRING IN TRENCH DETAIL
NO SCALE



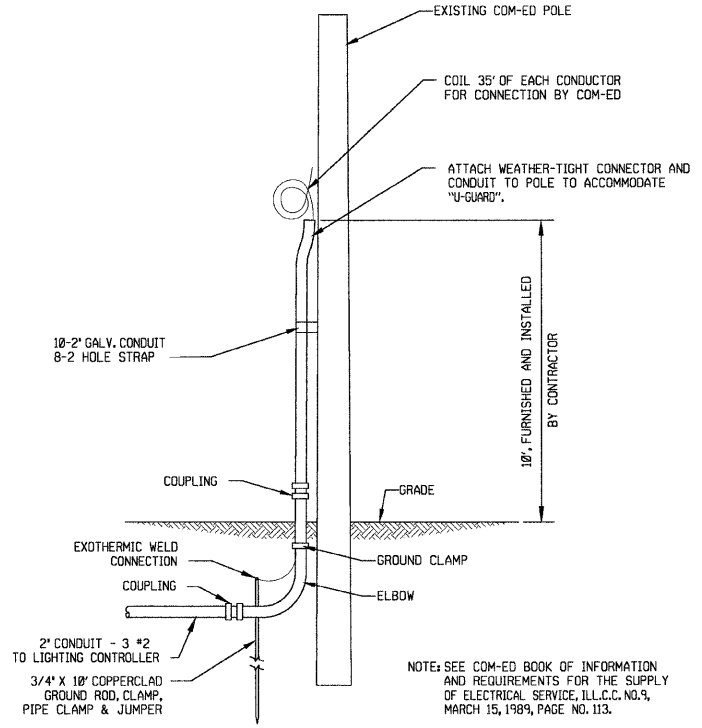
LIGHTING CONTROLLER C1 & C2 WIRING DIAGRAM
NO SCALE



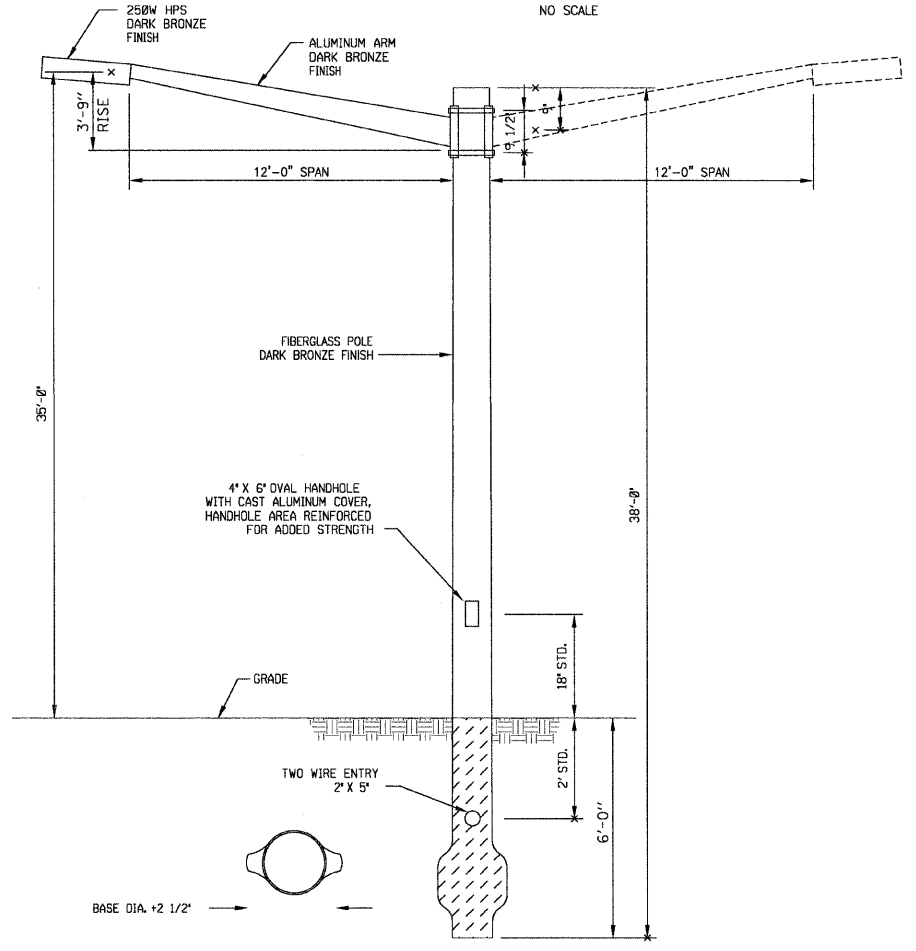
LIGHTING CONTROLLER AND FOUNDATION DETAIL
NO SCALE



POLE BASE WIRING DETAIL
NO SCALE



COM-ED OVERHEAD CONNECTION POLE
NO SCALE



STREET LIGHT POLE TWIN & SINGLE
NO SCALE

NOTE:
INSTALL LIGHT POLE IN ACCORDANCE WITH MANUFACTURER'S RECOMMENDATIONS. PROVIDE 6 INCHES OF COARSE GRAVEL IN BOTTOM OF AUGERED HOLE FOR DRAINAGE AND SUPPORT. AUGER HOLE LARGE ENOUGH TO ACCOMMODATE THE BUTT OF THE POLE. BACKFILL HOLE AROUND POLE WITH CRUSHED LIME STONE SCREENINGS COMPACTED BY MACHINE OR HAND TAMPING IN 6-INCH LAYERS. ADD 1/2 BAG OF DRY CEMENT TO TAMPING MIXTURE AROUND POLE IF SOIL CONDITIONS REQUIRE. PLUMB AND ALIGN POLE IN A VERTICAL POSITION ONCE POLE IS SELF-SUPPORTING.

NOTE: SEE COM-ED BOOK OF INFORMATION AND REQUIREMENTS FOR THE SUPPLY OF ELECTRICAL SERVICE, ILL.C.C. NO. 9, MARCH 15, 1989, PAGE NO. 113.

COPYRIGHT © 2008 BY BAXTER & WOODMAN, INC.
 STATE OF ILLINOIS - PROFESSIONAL DESIGN FIRM
 LICENSE NO. - 081-00121 - EXPIRES 4/30/2009
 12/29/2008 10:56:30 AM
 I:\061389-Pharlet\B\061389-lighting-det-1.sht



DESIGNED - JTB	REVISED -
DRAWN - KAR	REVISED -
CHECKED - TMS	REVISED -
DATE - 12-08-08	FILE NAME - 061389-lighting-det-1.sht

VILLAGE OF PARK FOREST, ILLINOIS
INDIANWOOD BOULEVARD
MONEE RD. TO BLACKHAWK DR.

STREET LIGHTING
DETAILS

SCALE: STA. TO STA.

F.A. RTE.	SECTION	COUNTY	TOTAL SHEETS	SHEET NO.
	09-00091-01-LT	COOK	7	6
CONTRACT NO. 63129				
FED. ROAD DIST. NO. ILLINOIS FED. AID PROJECT TCSP-061L (606)				