

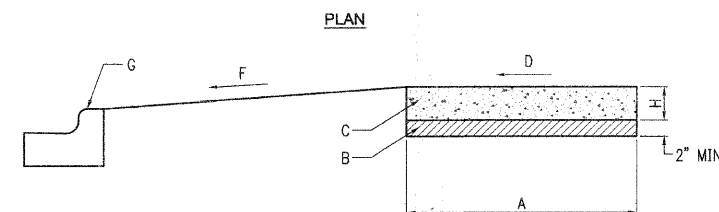
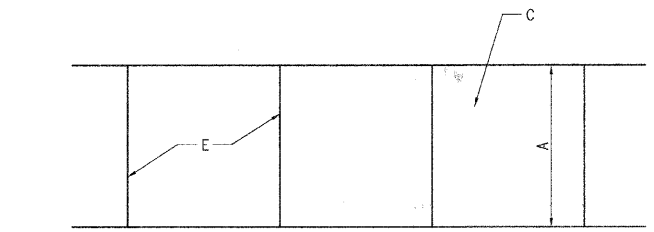
SIDEWALK OBSTRUCTIONS
N.T.S.

CONSTRUCTION NOTE:

- A. SIDEWALK
- B. CURB
- C. SERVICE POLE, SEE NOTES 1 AND 3.
- D. TREE TRUNK, SEE NOTE 1
- E. FIRE HYDRANT, SEE NOTES 1, 2, AND 3.
- F. SIDEWALK WIDTH
- G. RIGHT-OF-WAY (R.O.W.)

GENERAL NOTES:

1. A FIRE HYDRANT, SERV. POLE OR TREE TRUNK SHALL BE CONSIDERED IMMOVABLE ONLY WHEN DIRECTED BY THE VILLAGE ENGINEER.
2. THE VILLAGE OF WESTMONT WATER DEPT. SHALL BE CONTACTED AS SOON AS POSSIBLE WHENEVER A FIRE HYDRANT IS FOUND TO BE IN THE PATH OF A NEW SIDEWALK, SO THAT THE FIRE HYDRANT CAN BE RELOCATED, IF POSSIBLE.
3. WHEN A SERVICE POLE OR FIRE HYDRANT IS LOCATED WITHIN THE SIDEWALK AREA, AND IS CONSIDERED IMMOVABLE, A 1/2" EXPANSION JOINT SHALL BE INSTALLED ENCIRCLING THE OBJECT.

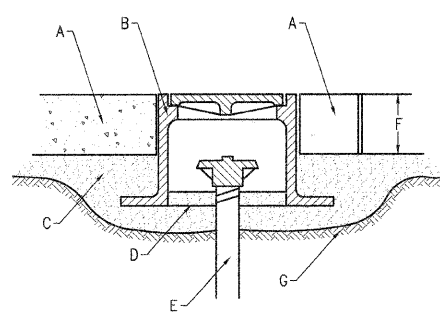


CONSTRUCTION NOTES

- A. 5' NORMAL WIDTH OR AS INDICATED ON PLANS
- B. AGGREGATE BASE COURSE, TYPE B, 2"
- C. P.C.C. SIDEWALK
- D. SLOPE 1/4" PER FOOT TO STREET SIDE, OR AS NOTED ON PLAN
- E. JOINTS, SEE NOTES 3 AND 4
- F. SLOPE 2% TO 8% TOWARDS STREET OR AS NOTED ON PLANS
- G. CURB AND GUTTER
- H. CONCRETE THICKNESS, SEE NOTE 1

GENERAL NOTES

1. STANDARD THICKNESS OF CONCRETE SHALL BE A MINIMUM OF 5".
2. WHERE WOODEN FORMS ARE USED, 2x4'S ARE NOT ALLOWED. ONLY 2x6'S SHALL BE USED.
3. PREFORMED 3/4" EXPANSION JOINTS SHALL BE CONSTRUCTED AT MAX. SPACING OF 40'.
4. FORMED OR SAW-CUT CONTRACTION JOINTS SHALL BE SPACED GENERALLY 5' APART, BUT NO LESS THAN 4' AND NO MORE THAN 6'.
5. 1/2" EXPANSION JOINTS SHALL BE INSTALLED WHERE SIDEWALK ABUTS BUILDINGS, TRAFFIC SIGNAL FOUNDATIONS, SERVICE POLES, AND OTHER IMMOVABLE STRUCTURES.
6. CONCRETE TO BE MINIMUM 6-BAG MIX.



CONSTRUCTION NOTES:

- A. STAMPED CONCRETE PAVEMENT OR CONCRETE BRICK PAVERS.
- B. FOR CONCRETE-ROUND FRAME SHALL BE EQUIVALENT TO TYLER 6895 VALVE BOX. FOR BRICK PAVERS-SQUARE FRAME SHALL BE EQUIVALENT TO NEENAH B-1978-1 INSPECTION FRAME.
- C. COMPACTED AGGREGATE BASE, MIN. 2".
- D. SERVICE BOX LID WITH BRASS PENTAGON HEAD PLUG, TOP TO BE MARKED "WATER".
- E. SERVICE BOX EXTENSION.
- F. SERVICE BOX SET 4"-6" BELOW FINISHED GRADE.
- G. SUBGRADE.



date	OCTOBER 29, 2008	detailed	L.SAUCEDO
designed	M. KUNTZ	checked	A. BRYANT



VILLAGE OF WESTMONT PROPOSED 2008 CMAQ SIDEWALK PROJECT MISCELLANEOUS DETAILS (1 OF 3)	
project	contract
48924	63132
drawing	rev.
D101	
sheet 9	of 12 sheets
file 48924 DETAILS	

COPYRIGHT © 2005 BURNS AND MCDONNELL ENGINEERING COMPANY, INC.