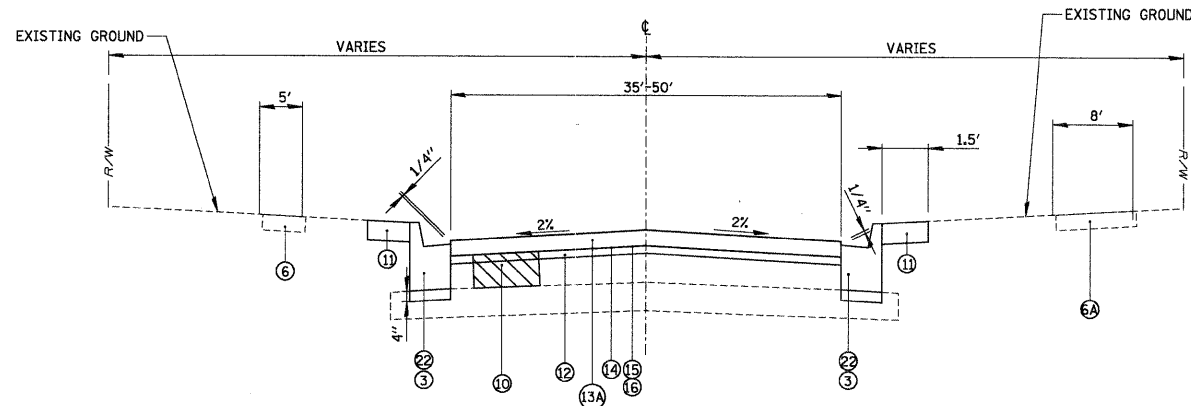
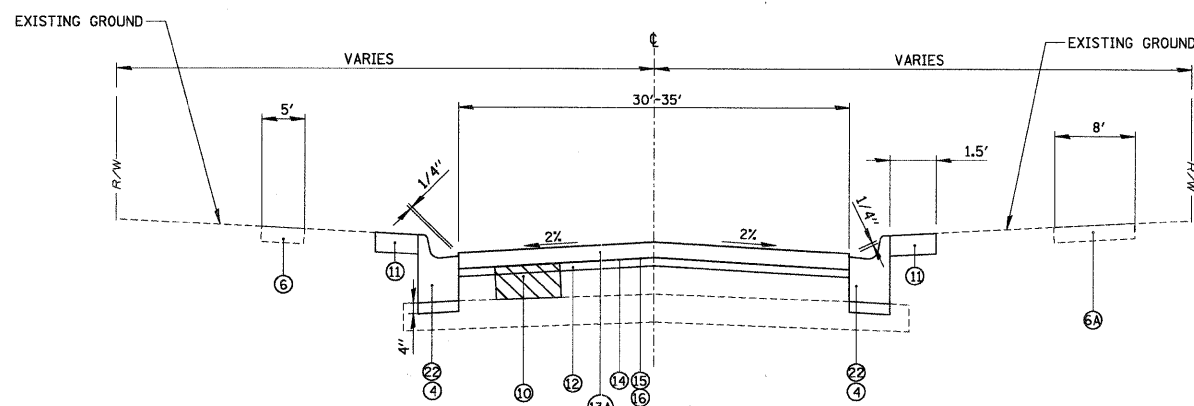


**PROPOSED TYPICAL SECTION**  
 STA. 251+11.20 TO STA. 263+79.50  
 (OMISSION AT RANDAL ROAD  
 BETWEEN STA. 263+79.50 TO STA. 264+58.40)  
**LOCATION #4 (SEE PROPOSED PLAN)**



**PROPOSED TYPICAL SECTION**  
 STA. 264+58 TO STA. 276+00  
**LOCATION #5 (SEE PROPOSED PLAN)**



**PROPOSED TYPICAL SECTION**  
 STA. 276+00 TO STA. 282+80  
**LOCATION #6 (SEE PROPOSED PLAN)**

**LEGEND**

- ① EXISTING HOT-MIX ASPHALT PAVEMENT
- ② EXISTING AGGREGATE SUBBASE
- ③ EXISTING B6.12 CURB AND GUTTER
- ③A EXISTING B6.18 CURB AND GUTTER
- ④ EXISTING M6.12 CURB AND GUTTER
- ⑥ EXISTING PCC SIDEWALK
- ⑥A EXISTING HOT-MIX ASPHALT BIKE PATH
- ⑦ EXISTING AGGREGATE SHOULDER
- ⑦A HOT-MIX ASPHALT SURFACE REMOVAL, 1/2"
- ⑦B HOT-MIX ASPHALT SURFACE REMOVAL, 1 1/4"
- ⑧ HOT-MIX ASPHALT SURFACE REMOVAL, 3"
- ⑨ HOT-MIX ASPHALT SURFACE REMOVAL, VARIABLE DEPTH (3.2 INCHES TO 4.1 INCHES)
- ⑩ CLASS D PATCHES, 6" (LOCATION AS DIRECTED BY RE)
- ⑪ SODDING, SALT TOLERANT AS NECESSARY FOR CURB AND GUTTER REMOVAL AND REPLACEMENT (INCIDENTAL TO COMBINATION CONCRETE CURB AND GUTTER REMOVAL AND REPLACEMENT AND AGGREGATE SHOULDER)
- ⑫ PROPOSED LEVELING BINDER (MACHINE METHOD), N50 - 3/4"
- ⑫A PROPOSED LEVELING BINDER (MACHINE METHOD), N70 - 3/4"
- ⑬ PROPOSED HOT-MIX ASPHALT SURFACE COURSE, MIX "D" N50 - 2"
- ⑬A PROPOSED HOT-MIX ASPHALT SURFACE COURSE, MIX "D" N50 - 2 1/2"
- ⑬B PROPOSED HOT-MIX ASPHALT SURFACE COURSE, MIX "D", N70 - 1 1/2"
- ⑬C PROPOSED HOT-MIX ASPHALT SURFACE COURSE, MIX "D", N70 - 2 1/2"
- ⑭ PROPOSED BITUMINOUS MATERIAL (PRIME COAT)
- ⑮ PROPOSED AGGREGATE (PRIME COAT)
- ⑯ PROPOSED AREA REFLECTIVE CRACK CONTROL TREATMENT
- ⑰ PROPOSED HOT-MIX ASPHALT BINDER COURSE, IL-19.0, N50, 2 1/2"
- ⑱ PREPARATION OF BASE
- ⑳ AGGREGATE BASE REPAIR
- ㉑ PROPOSED AGGREGATE SHOULDER, TYPE B (AS DIRECTED BY THE ENGINEER)
- ㉒ COMBINATION CONCRETE CURB AND GUTTER REMOVAL AND REPLACEMENT (AS DIRECTED BY THE ENGINEER). INCLUDES 4" SUBBASE GRANULAR MATERIAL TYPE B.
- ㉓ PROPOSED GEOTECHNICAL FABRIC FOR GROUND STABILIZATION
- ㉔ REMOVAL AND DISPOSAL OF UNSUITABLE MATERIAL
- ㉕ POROUS GRANULAR EMBANKMENT, SUBGRADE

FILE NAME =	USER NAME = MAGOLDEN	DESIGNED - LMF	REVISED -	<b>STATE OF ILLINOIS DEPARTMENT OF TRANSPORTATION</b>	<b>HUNTINGTON DRIVE PROPOSED TYPICAL SECTIONS</b>		F.A. RTE.	SECTION	COUNTY	TOTAL SHEETS	SHEET NO.
N:\ALCONQUIN\070273\070273.00019\Civil\PL\TYPSEC_HUNTINGTON.dgn		DRAWN - MDH	REVISED -			08-00075-00-RS	MCHENRY	35	10		
PLOT SCALE = NTS		CHECKED - LMF	REVISED -		SCALE: NTS	SHEET NO. 3 OF 4 SHEETS	STA.	TO STA.	FED. ROAD DIST. NO. 1 ILLINOIS FED. AID PROJECT		
PLOT DATE = 2/13/2009		DATE - 2/13/2009	REVISED -						CONTRACT NO. 63138		