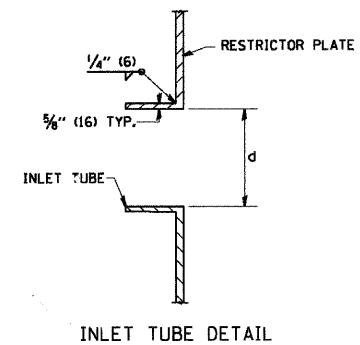
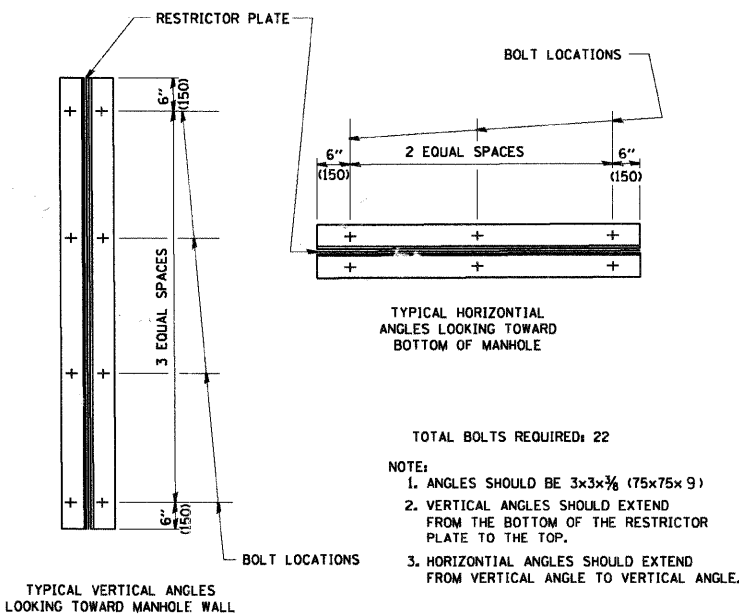


- NOTES:
1. ALL STEEL ANGLES AND PLATES TO BE GALVANIZED AFTER FABRICATION.
 2. ALL RESTRICTOR PLATES, ANGLES AND HARDWARE TO BE INCLUDED IN THE COST OF THE MANHOLE.
 3. BASIS OF PAYMENT: "MANHOLES, TYPE A, 6 FT. (1.8 M)-DIAMETER, TYPE I FRAME, CLOSED LID, RESTRICTOR PLATE" EACH



STATION	MANHOLE DIAMETER	FRAME AND GRATE	RESTRICTOR TYPE	INSIDE RESTRICTOR TYPE DIAMETER in. (mm)	INVERT OF RESTRICTOR TYPE	ELEVATION OF TOP OF PLATE OVERFLOW
10+00.0	6'	T1 CL	3	12"	902.67	905.50



RESTRICTOR TYPE					
1	2	3	4	5	6
RE-ENFRANT TUBE	SHARP EDGED	SQUARE EDGED	RE-ENFRANT TUBE	SQUARE EDGED	ROUNDED
LENGTH: 1/2 TO 1 DIA.		STREAM CLEARS SIDES	LENGTH: 2-1/2 DIA.	LENGTH: 2-1/2 DIA.	
C=.52	C=.61	C=.61	C=.73	C=.82	C=.98

VALUES OF "C" FOR CIRCULAR AND SQUARE ORIFICES

STEEL ANGLE BOLTING DETAILS

ALL DIMENSIONS ARE IN INCHES (MILLIMETERS) UNLESS OTHERWISE SHOWN.



USER NAME = charlke	DESIGNED -	REVISED -
PLOT SCALE = N.T.S.	DRAWN -	REVISED -
PLOT DATE = 2/13/2009	CHECKED -	REVISED -
	DATE = 2/13/09	REVISED -

MCHENRY COUNTY DIVISION OF TRANSPORTATION

MANHOLE WITH RESTRICTOR PLATE

SCALE: N.T.S. SHEET NO. OF SHEETS STA. TO STA.

F.A. RTE.	SECTION	COUNTY	TOTAL SHEETS	SHEET NO.
0116	08-00327-01-CH	MCHENRY	56	38
BD600-04 (BD-12)		CONTRACT NO. 63144		
FED. ROAD DIST. NO.		ILLINOIS FED. AID PROJECT		