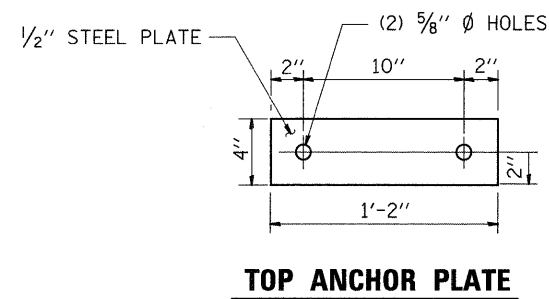
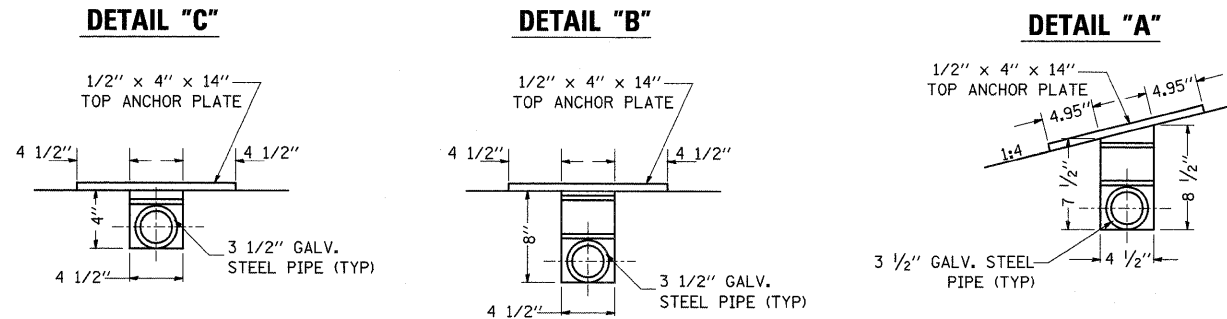


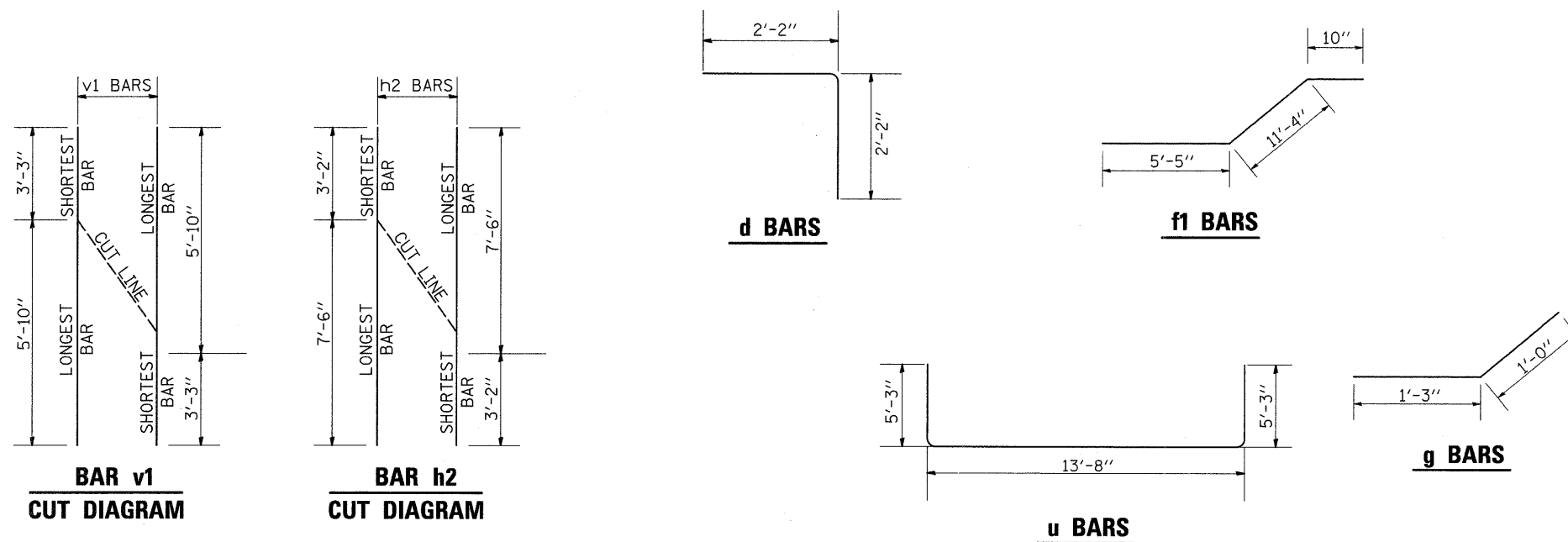
DROP BOX NO. 1 STA. 448 + 61

BILL OF MATERIALS (For Information Only)



BAR	NUMBER	SIZE	LENGTH	SHAPE
d	56	#5	4'-4"	└
f	2	#4	13'-8"	—
f1	4	#4	17'-7"	—
g	15	#5	2'-3"	—
h	37	#5	13'-8"	—
h1	26	#4	17'-3"	—
h2	2	#5	10'-8"	—
h3	6	#5	17'-3"	—
v	34	#4	3'-1"	—
v1	16	#4	9'-1"	—
u	4	#5	24'-2"	└

DESCRIPTION	UNIT	QTY.
Concrete Box Culverts	CuYd	11.17
Reinforcement Bars	LBS	1,579
3 1/2" I.D. Galv Steel Pipe	5ø	14'-4"
	7ø	11'-0"
	7ø	5'-6"
3 1/2" Galv Pipe Caps	EACH	38
1/4" Galv Steel Plate (9" Nominal)	EACH	17
1/2"x4"x14" Galv Steel Plate	EACH	17
5/8"x9" Galv Steel Bolts	EACH	35
Expansion Bolts 1/2"	EACH	34



GENERAL NOTES:

This work shall be done in accordance with the applicable portion of sections 503, 508, AND 540 of the Standard Specifications.

Contractor shall field verify Galvanized pipe lengths.

Exposed edges shall be beveled 3/4".

The contract unit price "EACH" for Drop Box No. 1 shall include the Bolts, Galvanized pipe, Nuts, Washers, and pipe caps. Steel Plates, Reinforcement Bars, and Class SI Concrete.

Reinforcement bars shall conform to the requirements of ASTM A 706 Gr. 60 (IL Modified). See Special Provision.

Steel plates shall conform to AASHTO M-183 and shall be galvanized conforming to AASHTO M-111.

Bolts, Nuts, and Washers shall be in accordance with article 505 of the Standard Specifications and shall be galvanized.

See Plan and Profile Sheet for more information.

See Cross Section Sheet for more information.