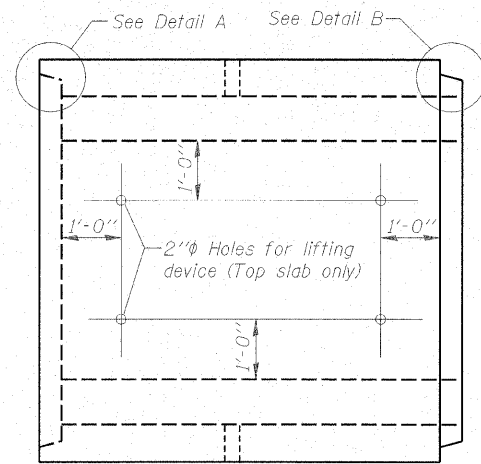
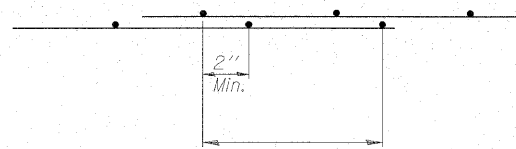


STATE OF ILLINOIS
DEPARTMENT OF TRANSPORTATION

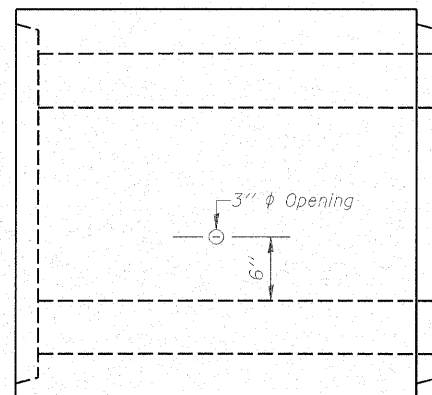


PLAN

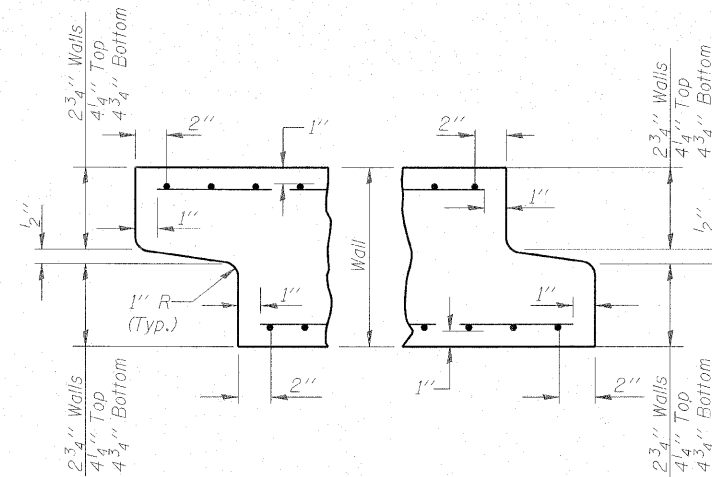
Location of lifting holes may be varied as needed to clear reinf.



TYP. FABRIC LAP



ELEVATION



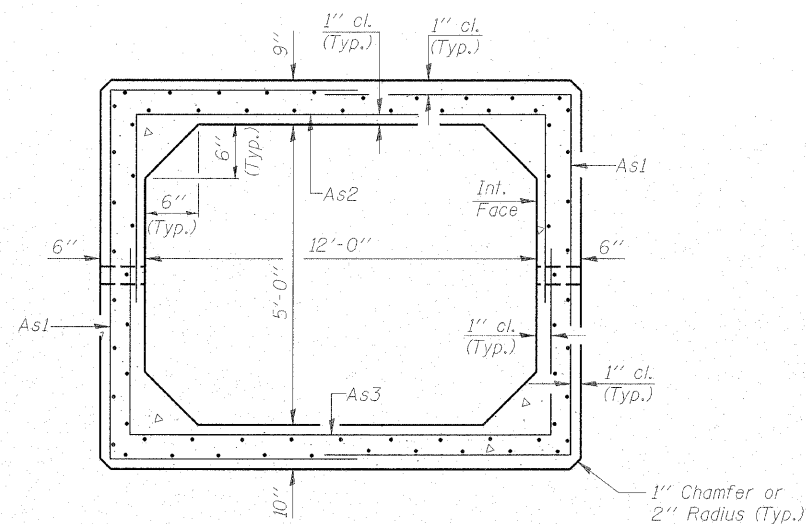
DETAIL A

(Typ. Inlet End)

DETAIL B

(Typ. Outlet End)

Note: Inlet and outlet ends shall be compatible.



CROSS SECTION

GENERAL NOTES

Precast Concrete Box Culvert sections shall conform to the requirements of Article 540.06 of the Standard Specifications and the applicable requirements of AASHTO M 259.

The minimum concrete strength shall be 5,000 psi.

Lifting holes shall be filled with concrete plugs and mastic after box sections are in place.

REQUIRED AASHTO STEEL AREAS (in²/ft.)

A _{s1}	0.600
A _{s2}	0.560
A _{s3}	0.470
A _{s4}	

REINFORCEMENT PROVIDED

AREA
(in²/ft.)

A _{s1}	x	W	x	W	=	
A _{s2}	x	W	x	W	=	
A _{s3}	x	W	x	W	=	
A _{s4}	provided by A _{s2} and A _{s3}					

BILL OF MATERIAL

ITEM	UNIT	TOTAL
Precast Concrete Box Culvert 12' x 5' (Special)	Ft.	128



DESIGNED -	BAB
CHECKED -	KEF
DRAWN -	LAD
CHECKED -	GBM

PRECAST CONCRETE BOX CULVERT

12'x5' (SPECIAL)

IL. RTE. 251 OVER UNNAMED TRIBUTARY TO KILBUCK CREEK

SHEET NO.	F.A.S. RTE.	SECTION	COUNTY	TOTAL SHEETS	SHEET NO.
5	1042	107T-1	OGLE	53	30
STRUCTURE NO. 071-2027			CONTRACT NO. 64B09		
FED. ROAD DIST. NO. ILLINOIS FED. AID PROJECT					