

# CAST-IN-PLACE REINFORCED CONCRETE END SECTIONS 72"

SN 043-1064 - LT STA 278+24.12 (IL RTE 78)

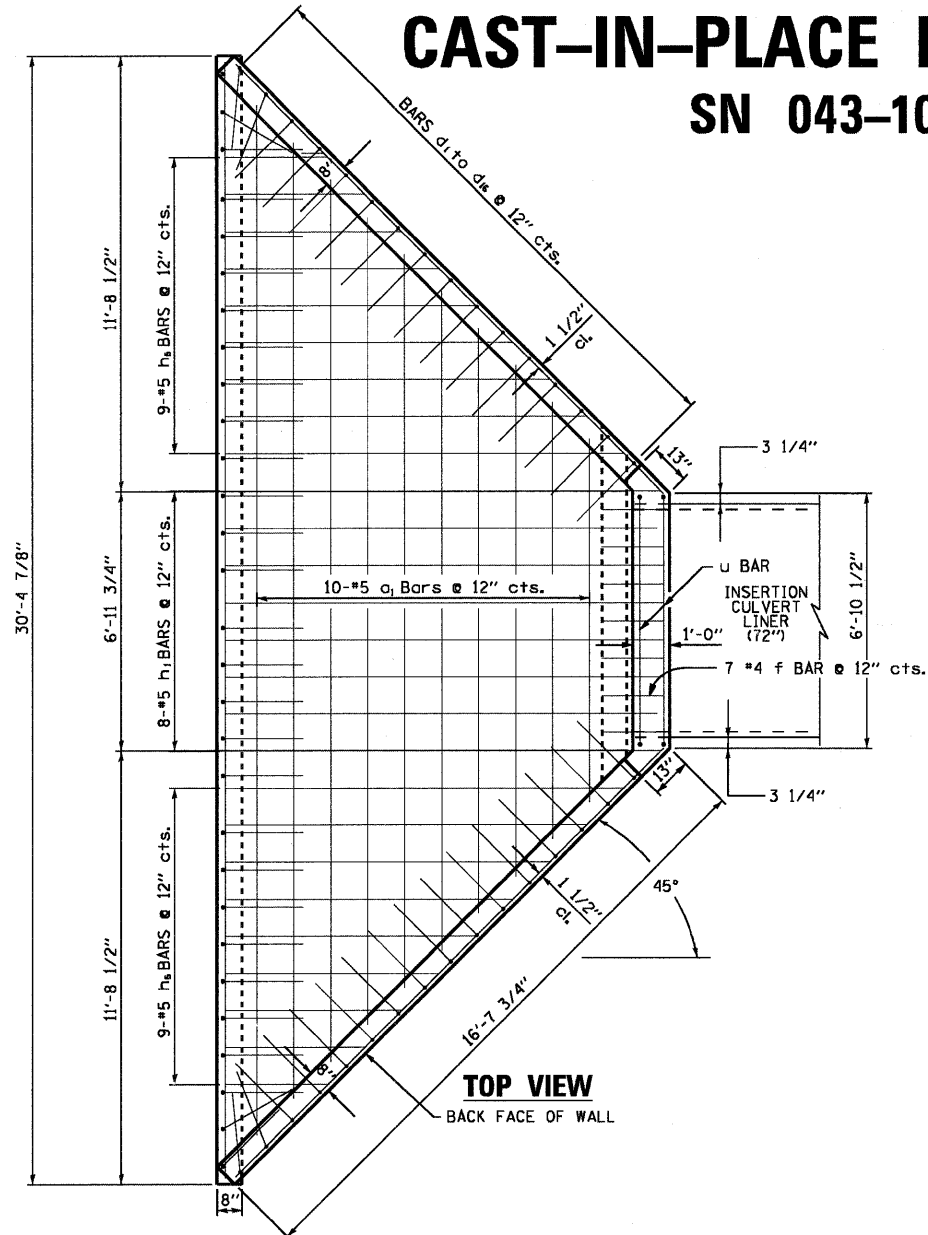
NOTES:  
GRATING SHOWN ON THIS SHEET IS INTENDED TO DISCOURAGE THE PASSAGE OF LIVESTOCK.

INSERTION CULVERT LINER SHALL BE FURNISHED AND INSTALLED IN ACCORDANCE WITH SECTION 543. RPM-D3262 SHALL BE UTILIZED.

## DESIGN STRESSES

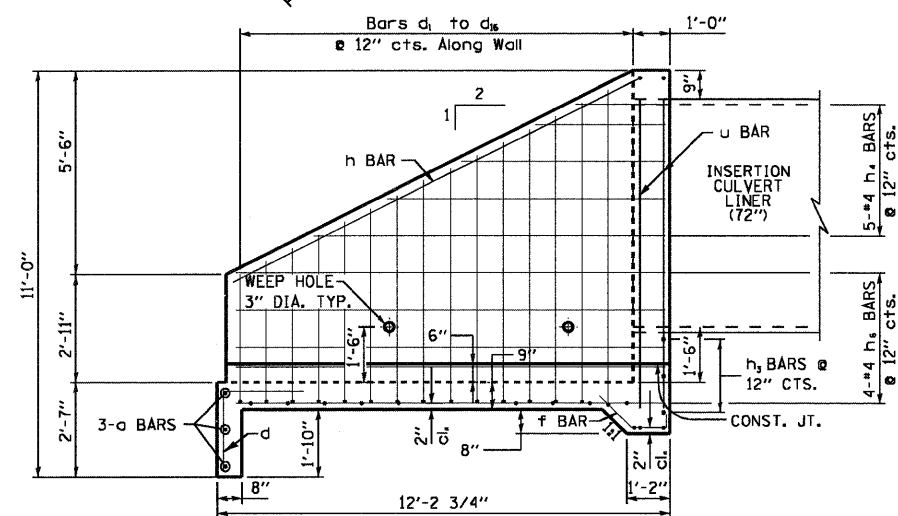
$f_y = 60,000$  psi

$f'_c = 3,500$  psi

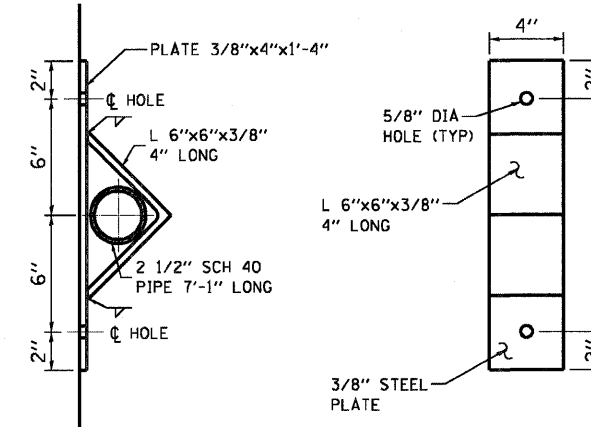


**TOP VIEW**

BACK FACE OF WALL



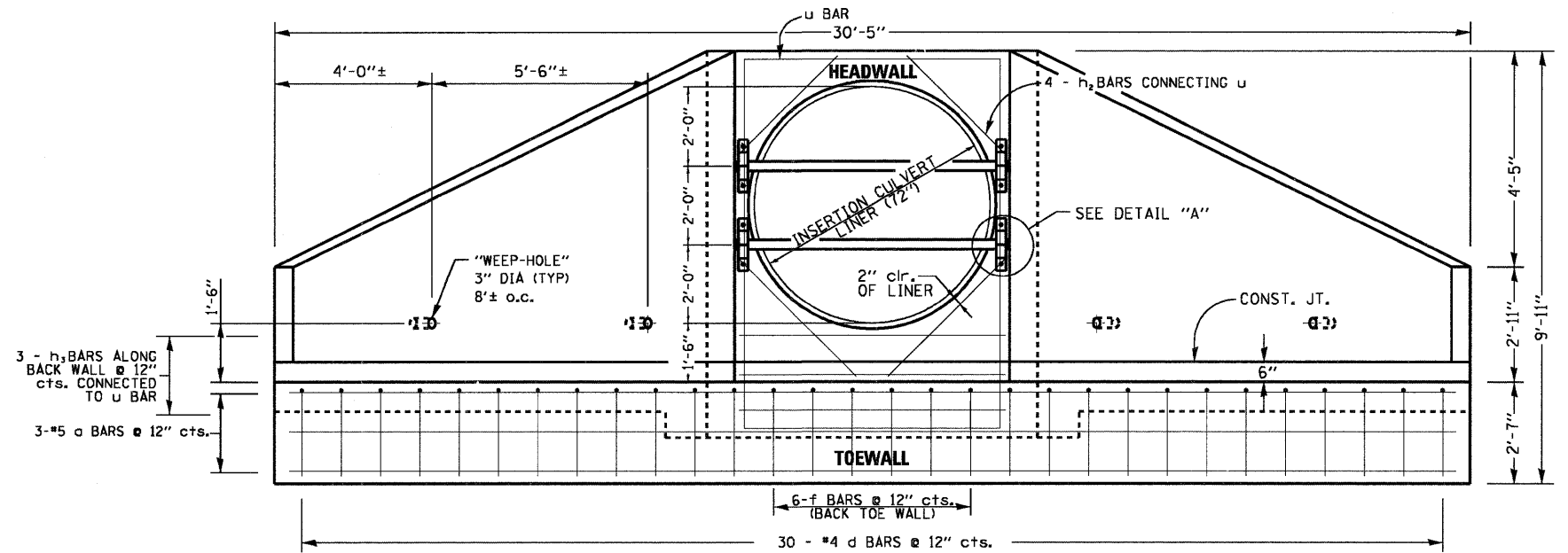
**SIDE VIEW**



**DETAIL "A"**

**ANCHOR PLATE**

PROVIDE 2" CLEAR COVER FOR REINFORCING BARS IN APRON SLAB, 1 1/2" CLEAR COVER FOR REINFORCING BARS IN WALLS. ALL WALL REINFORCEMENT SHALL BE PLACED IN THE BACK FACE.



**FRONT VIEW**

TO THE BEST OF MY KNOWLEDGE, INFORMATION AND BELIEF, THIS DESIGN IS STRUCTURALLY ADEQUATE FOR THE DESIGN LOADING SHOWN ON THE PLANS. THE DESIGN IS AN ECONOMICAL ONE FOR THE STYLE OF STRUCTURE AND COMPLIES WITH REQUIREMENTS OF THE CURRENT "AASHTO STANDARD SPECIFICATIONS FOR HIGHWAY BRIDGES".



FILE NAME =	USER NAME = #USER#	DESIGNED MGH	REVISED -	<b>STATE OF ILLINOIS DEPARTMENT OF TRANSPORTATION</b>	<b>CAST-IN-PLACE REINFORCED CONCRETE END SECTIONS-72"</b> SHEET 1 OF 2	F.A.P. RTE. 642	SECTION (10, 11)T	COUNTY JODAVIESS	TOTAL SHEETS 283	SHEET NO. 85		
	PLOT SCALE = 1:50	DRAWN WJH	REVISED -			SCALE:	SHEET NO. OF SHEETS STA. TO STA.	FED. ROAD DIST. NO.	ILLINOIS FED. AID PROJECT	<b>CONTRACT NO. 64D07</b>		
	PLOT DATE = #DATE#	CHECKED RGD	REVISED -									
		DATE 9/26/2008	REVISED -									