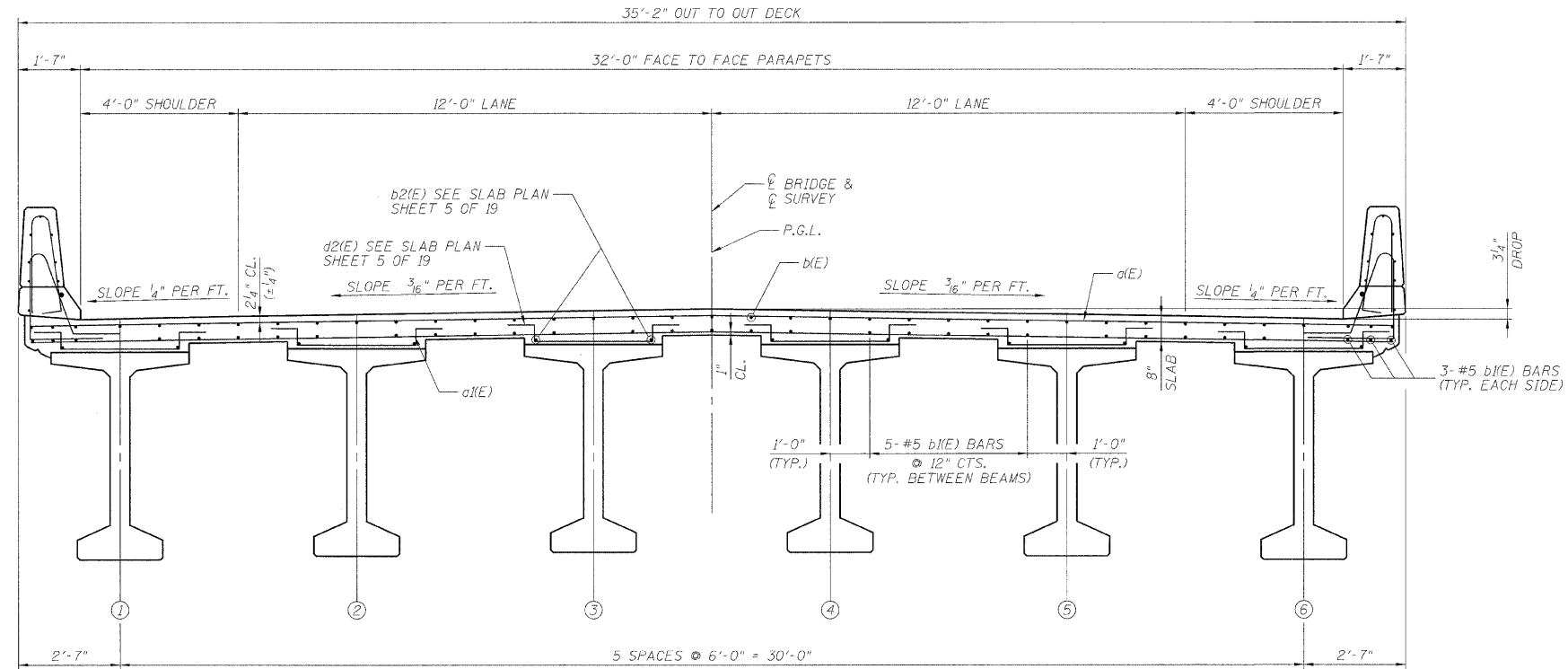


STATE OF ILLINOIS
DEPARTMENT OF TRANSPORTATION

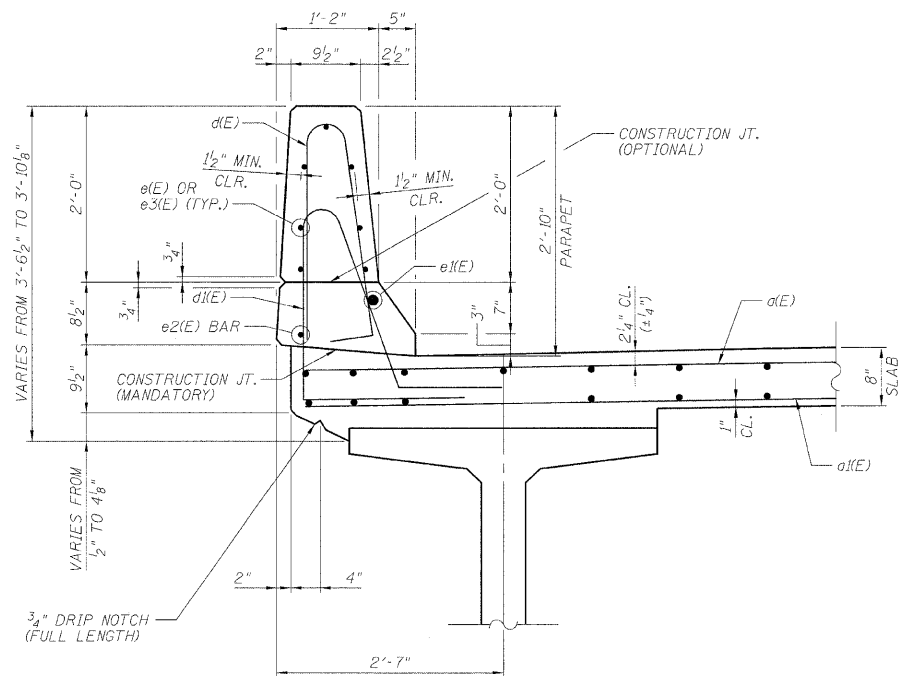
ROUTE NO.	SECTION	COUNTY	STATION	SHEET	SHEET NO. 6 SHEETS 19
F.A.P. 17	101BR-4	OGLE	60	23	
FED. ROAD DIST. NO. 2		ILLINOIS	FED. AID PROJECT		

Contract # 64D11



CROSS SECTION

NOTE:
① DENOTES BEAM NUMBER



SECTION THRU PARAPET

DESIGNED	ASP
CHECKED	WSP
DRAWN	BEM
CHECKED	ASP

SUPERSTRUCTURE CROSS SECTION
IL 64 OVER FIVE MILE CREEK
F.A.P. RT. 17 SECTION 101BR-4
OGLE COUNTY
STATION 124+91.00
STRUCTURE NO. 071-0095

DLZ 85 W. Algonquin Rd. Ste. 220
Arlington Heights IL 60005
DLZ Illinois, Inc.