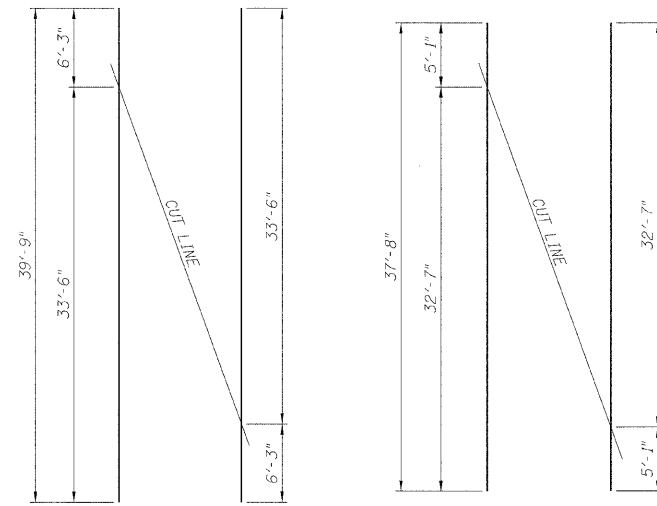


STATE OF ILLINOIS
DEPARTMENT OF TRANSPORTATION

ROUTE NO.	SECTION	COUNTY	TOTAL SHEETS	SHEET NO.
F.A.P. 17	101BR-4	OGLE	60	24
FED. ROAD DIST. NO. 2		ILLINOIS	FED. AID PROJECT	

Contract # 64D11

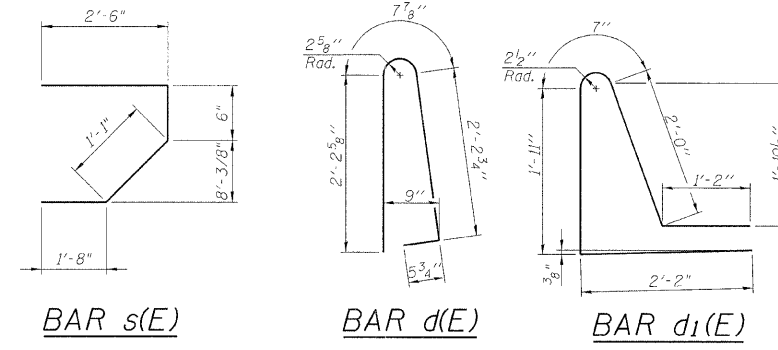
SHEET NO. 7
SHEETS 19



BARS a2
18 BARS - 1 SET
(USE REMAINDER OF BARS AT OPPOSITE END)

BARS a3
13 BARS - 1 SET
(USE REMAINDER OF BARS AT OPPOSITE END)

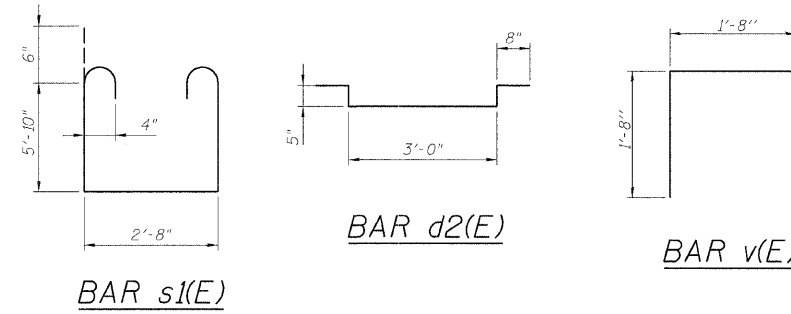
BAR CUTTING DIAGRAMS



BAR s(E)

BAR d(E)

BAR d1(E)



BAR s1(E)

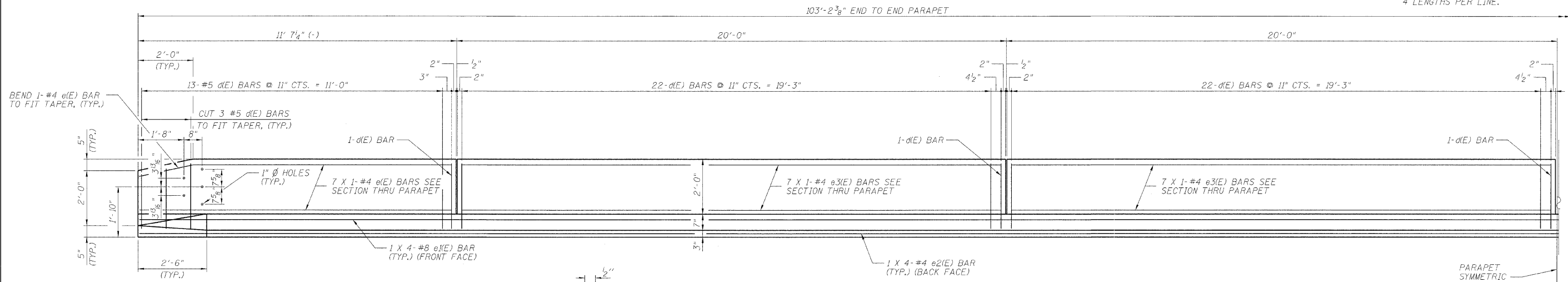
BAR d2(E)

BAR v(E)

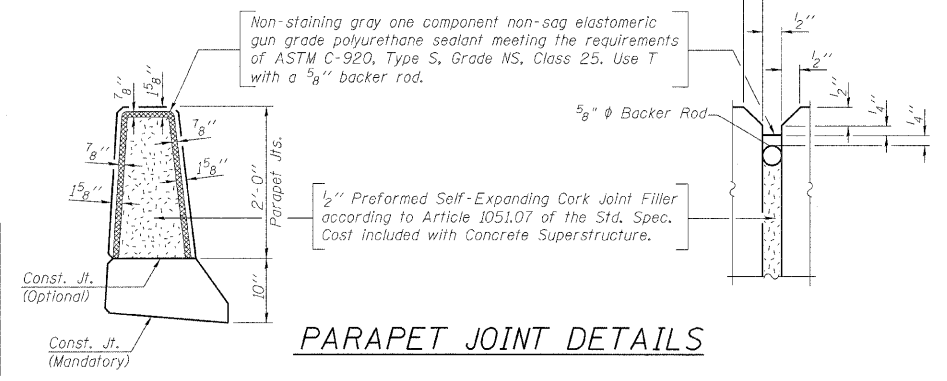
**SUPERSTRUCTURE
BILL OF MATERIAL**

Bar	No.	Size	Length	Shape
a(E)	155	5	34'-6"	—
a1(E)	109	5	34'-6"	—
a2(E)	18	5	39'-9"	—
a3(E)	13	5	37'-8"	—
a4(E)	4	5	36'-9"	—
b(E)	148	5	27'-4"	—
b1(E)	155	5	22'-4"	—
b2(E)	24	4	25'-0"	—
d(E)	240	5	5'-7"	U
d1(E)	240	5	7'-10"	U
d2(E)	360	4	5'-2"	U
e(E)	28	4	11'-4"	—
e1(E)	8	8	28'-4"	—
e2(E)	8	4	26'-9"	—
e3(F)	56	4	19'-7"	—
m(E)	4	6	37'-0"	—
m1(E)	10	6	37'-0"	—
m2(E)	48	6	8'-6"	—
m3(E)	10	6	3'-9"	—
m4(E)	4	6	1'-1"	—
s(E)	72	5	5'-9"	J
s1(E)	34	4	15'-4"	U
v(E)	68	5	3'-4"	Γ
Reinforcement Bars, Epoxy Coated		Lbs.	27,904	
Concrete Superstructure		Cu. Yds.	167.9	

BARS INDICATED THUS 7 X 4-#5 ETC. INDICATES 7 LINES OF BARS WITH 4 LENGTHS PER LINE.



INSIDE ELEVATION OF PARAPET



PARAPET JOINT DETAILS

DESIGNED	ASP
CHECKED	WSP
DRAWN	BEW
CHECKED	ASP

SUPERSTRUCTURE - DETAILS
IL 64 OVER FIVE MILE CREEK
F.A.P. RT. 17 SECTION 101BR-4
OGLE COUNTY
STATION 124+91.00
STRUCTURE NO. 071-0095

DLZ 85 W. Algonquin Rd. Ste. 220
Arlington Heights IL 60005