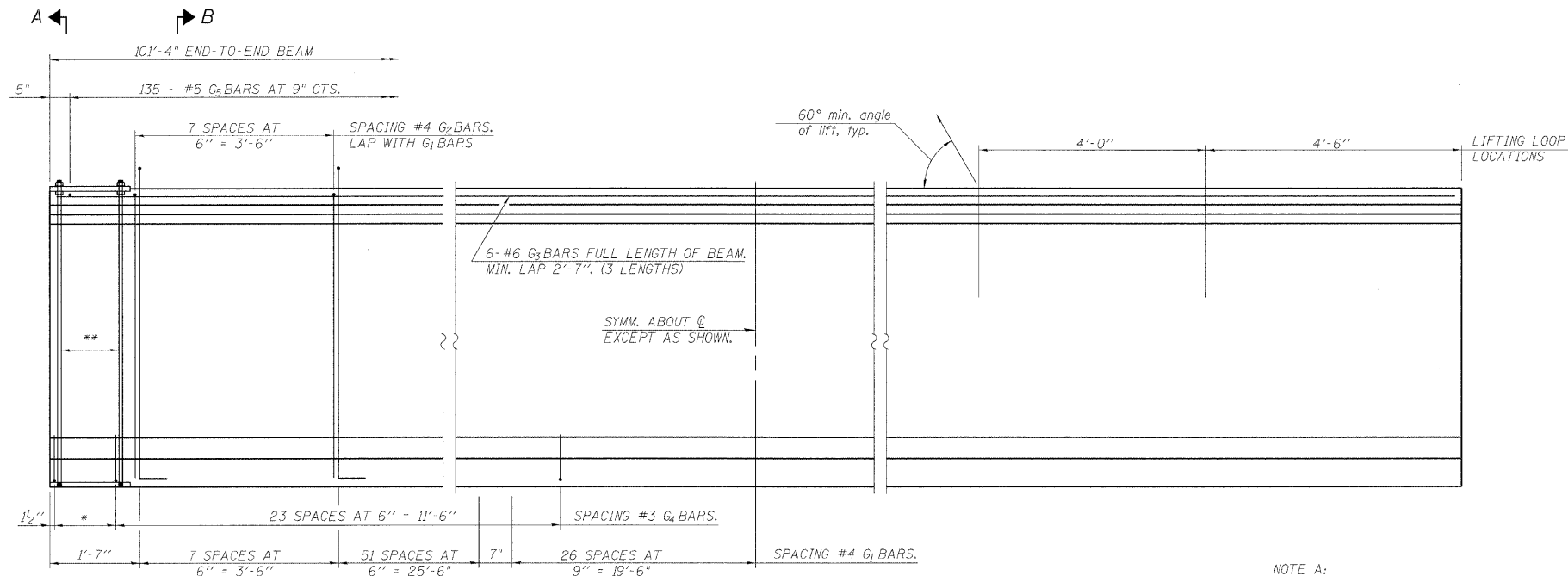


STATE OF ILLINOIS
DEPARTMENT OF TRANSPORTATION

ROUTE NO. F.A.P. 17	SECTION 101BR-4	COUNTY OGLE	NOTES 60	SHEET NO. 27	SHEET NO. 10 SHEETS 19
FED. ROAD DIST. NO. 2		ILLINOIS	FED. AID PROJECT		

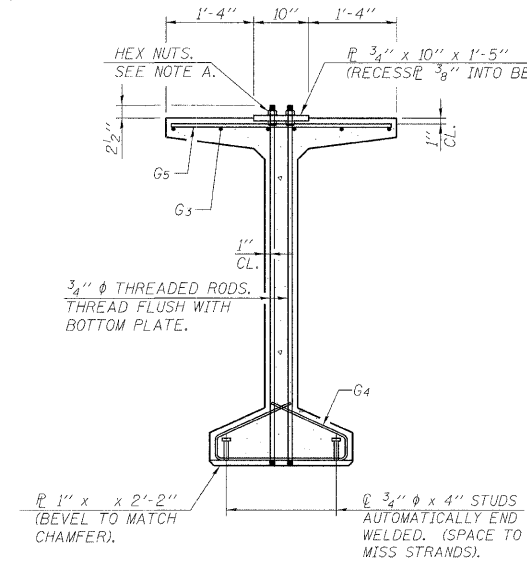
Contract # 64D11



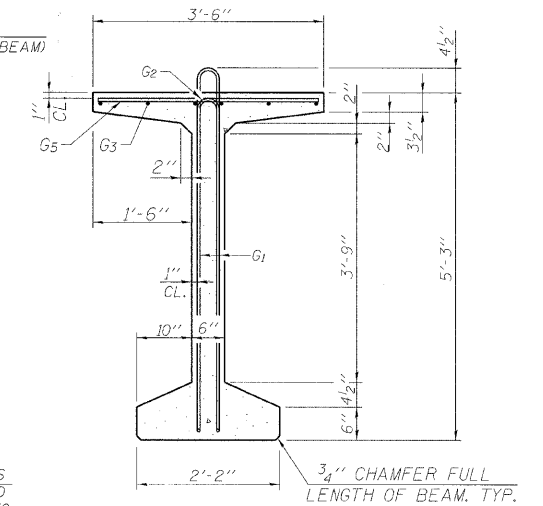
ELEVATION OF BEAM
(SHOWING REINFORCEMENT & DIMENSIONS)

*4 SPACES AT 3 1/4" = 1.1".
**5-3/4" Ø THREADED DOWEL RODS AT 3 1/4" CTS., EACH FACE

NOTE A:
HEX NUTS (TOP AND BOTTOM) WITH LOCK WASHERS (TOP). ONLY TIGHTEN SUFFICIENTLY TO COMPRESS LOCK WASHERS.



SECTION A-A



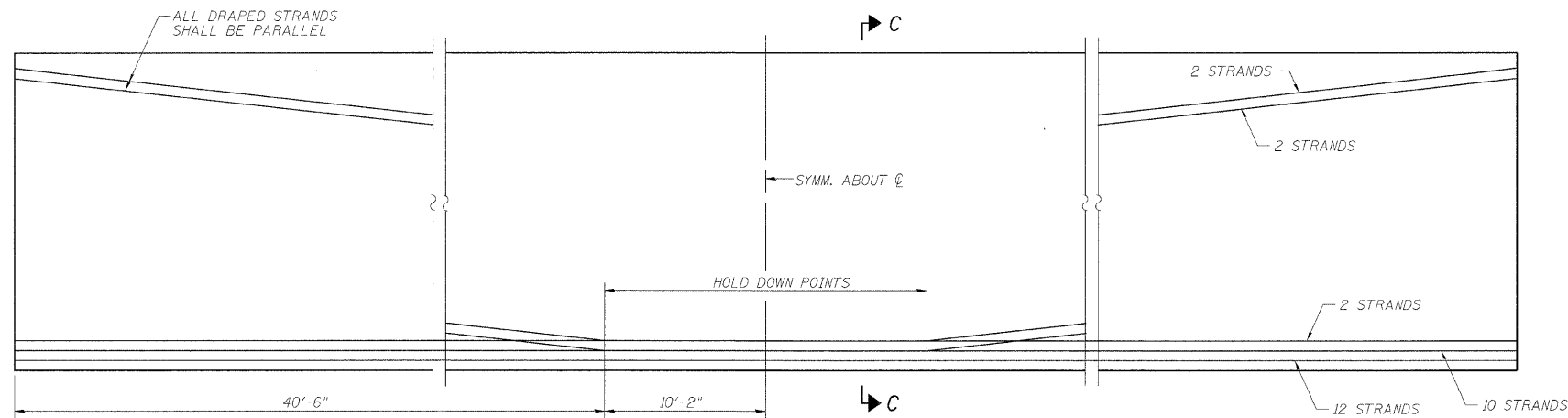
SECTION B-B

*****BAR LIST
ONE BEAM ONLY**

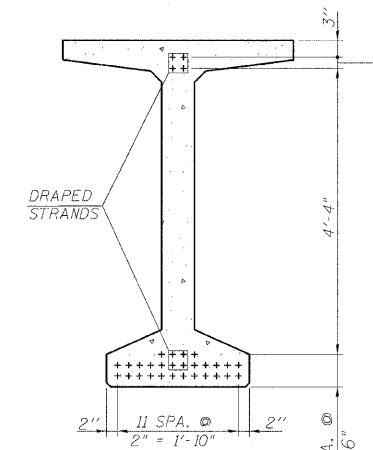
Bar	No.	Size	Length	Shape
G ₁	171	#4	11'-11"	⊔
G ₂	16	#4	10'-2"	⊔
G ₃	18	#6	35'-5"	—
G ₄	56	#3	4'-11"	⊔
G ₅	135	#5	3'-4"	—

***FOR INFORMATION ONLY

NOTES:
SEE SHEET 11 OF 19 FOR ADDITIONAL DETAILS AND BILL OF MATERIAL.
REQUIRED RELEASE STRENGTH, f_{ci}, SHALL BE 5,000 psi.



ELEVATION OF BEAM
(SHOWING PRESTRESSING STEEL)



SECTION C-C

DESIGNED	ASP
CHECKED	WSP
DRAWN	BGC
CHECKED	ASP

PBT-4-63 5-16-08

63" PPC BULB T-BEAM
IL 64 OVER FIVE MILE CREEK
F.A.P. RT. 17 SECTION 101BR-4
OGLE COUNTY
STATION 124+91.00
STRUCTURE NO. 071-0095

DLZ 85 W. Algonquin Rd. Ste. 220
Arlington Heights IL 60005
DLZ Illinois, Inc.