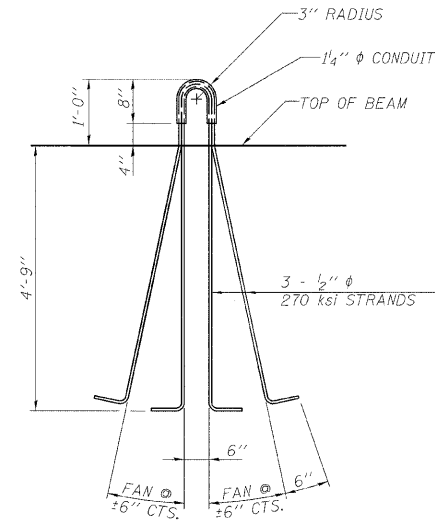


STATE OF ILLINOIS  
DEPARTMENT OF TRANSPORTATION

ROUTE NO.	SECTION	COUNTY	SHEETS	SHEET	SHEET NO. 11 SHEETS 19
F.A.P. 17	101BR-4	OGLE	60	28	
FED. ROAD DIST. NO. 2	ILLINOIS	FED. AID PROJECT			

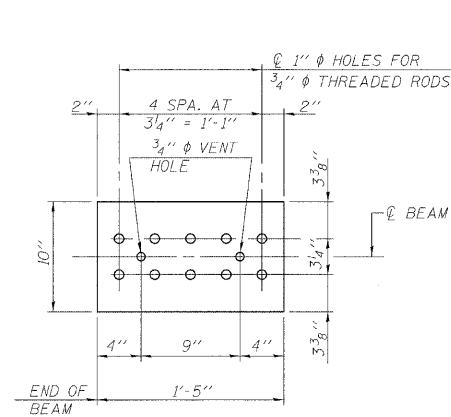
Contract # 64D11



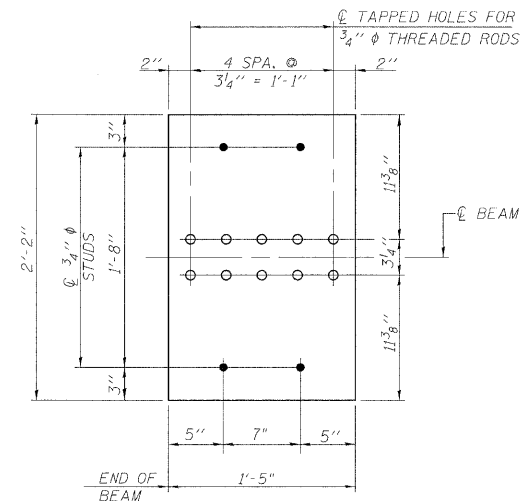
LIFTING LOOP DETAIL

NOTES

INSERTS FOR 3/4"  $\phi$  THREADED DOWEL RODS, WHEN SPECIFIED, ARE TO BE TWO STRUT, FERRULE TYPE FOR INTERIOR BEAMS AND SINGLE FERRULE, FLARED LOOP TYPE FOR EXTERIOR BEAMS.  
PRESTRESSING STEEL SHALL BE UNCOATED HIGH STRENGTH, LOW RELAXATION 7-WIRE STRAND, GRADE 270.  
THE NOMINAL DIAMETER SHALL BE 1/2" AND THE NOMINAL CROSS-SECTIONAL AREA SHALL BE 0.153 sq. in.  
REINFORCEMENT BARS SHALL CONFORM TO ASTM A 706, GRADE 60. (SEE SPECIAL PROVISIONS).  
A MINIMUM 2 1/2"  $\phi$  LIFTING PIN SHALL BE USED TO ENGAGE THE LIFTING LOOPS DURING HANDLING.  
THE TOP AND BOTTOM PLATES SHALL BE AASHTO M270 GRADE 50.  
THE BOTTOM PLATES AND STUDS SHALL BE GALVANIZED ACCORDING TO AASHTO M111.  
THREADED RODS SHALL BE ASTM F 1554 GRADE 55.

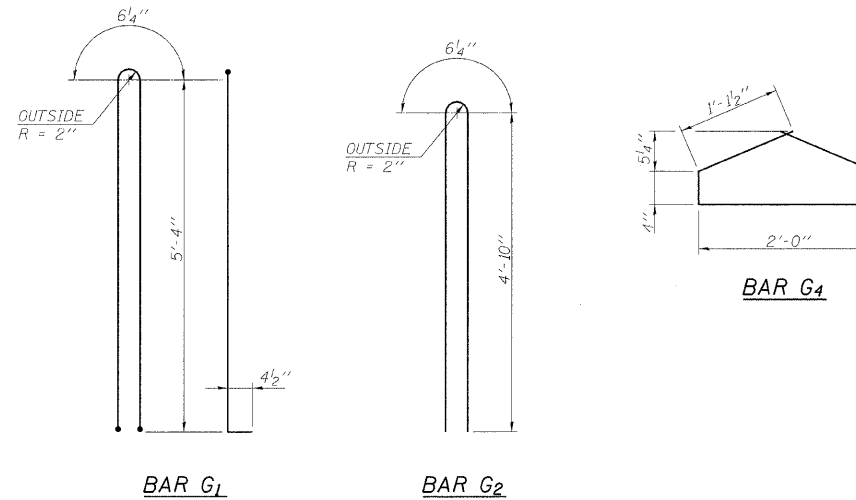


TOP PLATE



BOTTOM PLATE

See bearing details for pintle hole locations when required.



BILL OF MATERIAL

Item	Unit	Total
Furnishing and Erecting Precast Prestressed Concrete Bulb T-Beams, 63"	Ft.	608.0

63" PPC BULB T-BEAM DETAILS  
IL 64 OVER FIVE MILE CREEK  
F.A.P. RT. 17 SECTION 101BR-4  
OGLE COUNTY  
STATION 124+91.00  
STRUCTURE NO. 071-0095

**DLZ** 85 W. Algonquin Rd. Ste. 220  
Arlington Heights IL 60005  
DLZ Illinois, Inc.

DESIGNED	ASP
CHECKED	WSP
DRAWN	BCC
CHECKED	ASP

PBT-4-63D 5-16-08