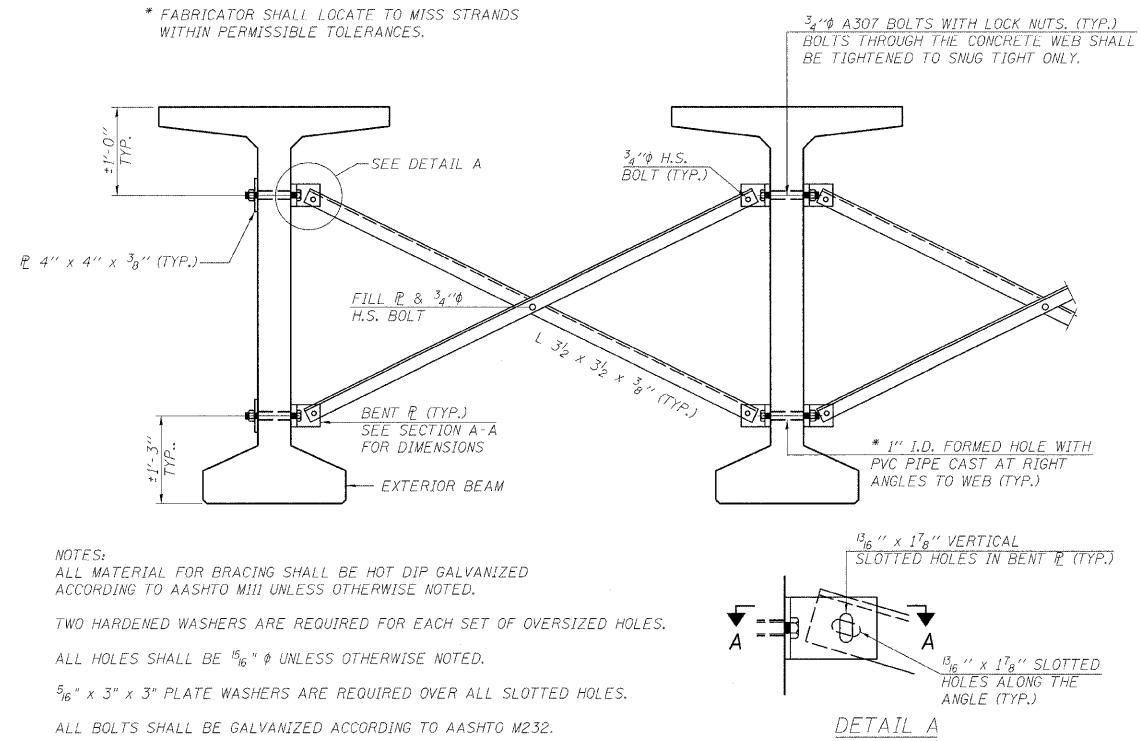
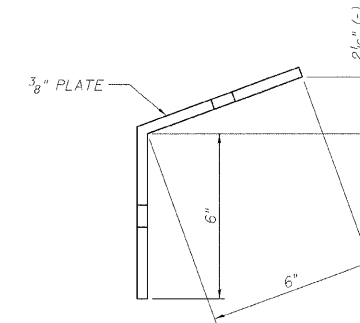
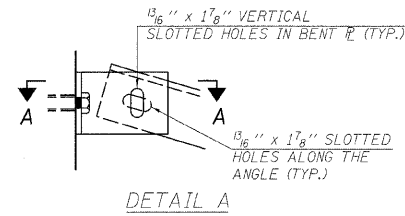


STATE OF ILLINOIS  
DEPARTMENT OF TRANSPORTATION

ROUTE NO.	SECTION	COUNTY	TOTAL SHEETS	SHEET NO.	SHEET NO. 12 SHEETS 19
F.A.P. 17	101BR-4	OGLE	60	29	
FED. ROAD DIST. NO. 2	ILLINOIS	FED. AID PROJECT	Contract # 64D11		



NOTES:  
ALL MATERIAL FOR BRACING SHALL BE HOT DIP GALVANIZED ACCORDING TO AASHTO M111 UNLESS OTHERWISE NOTED.  
TWO HARDENED WASHERS ARE REQUIRED FOR EACH SET OF OVERSIZED HOLES.  
ALL HOLES SHALL BE  $\frac{15}{16}$ "  $\phi$  UNLESS OTHERWISE NOTED.  
 $\frac{5}{16}$ " x 3" x 3" PLATE WASHERS ARE REQUIRED OVER ALL SLOTTED HOLES.  
ALL BOLTS SHALL BE GALVANIZED ACCORDING TO AASHTO M232.  
BRACING SHALL BE INSTALLED AS BEAMS ARE ERECTED AND TIGHTENED AS SOON AS POSSIBLE DURING ERECTION.  
ALL MATERIAL FOR BRACING SHALL BE AASHTO M270 GRADE 36



SECTION A-A

PERMANENT BRACING DETAILS  
FOR BULB-T BEAMS

DESIGNED	ASP
CHECKED	WSP
DRAWN	BGC
CHECKED	ASP

**BULB T-BEAM BRACING DETAILS**  
**IL 64 OVER FIVE MILE CREEK**  
**F.A.P. RT. 17 SECTION 101BR-4**  
**OGLE COUNTY**  
**STATION 124+91.00**  
**STRUCTURE NO. 071-0095**

**DLZ** 85 W. Algonquin Rd. Ste. 220  
Arlington Heights IL 60005  
DLZ Illinois, Inc.