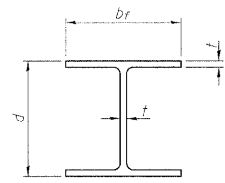


STATE OF ILLINOIS
DEPARTMENT OF TRANSPORTATION

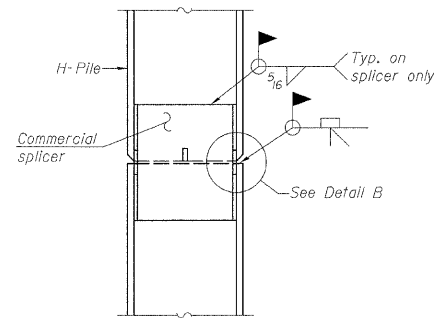
ROUTE NO.	SECTION	COUNTY	TOTAL SHEETS	SHEET NO.	SHEET NO. 15 SHEETS 19
F.A.P. 17	101BR-4	OGLE	60	32	
FED. ROAD DIST. NO. 2	ILLINOIS	FED. AID PROJECT-			

Contract # 64D11

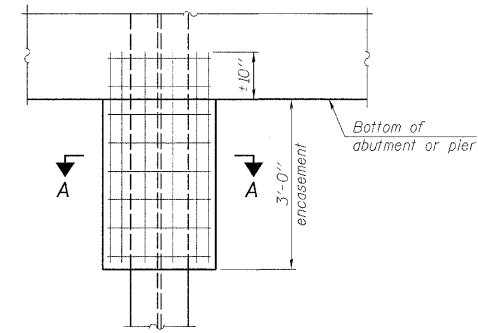


STEEL PILE TABLE

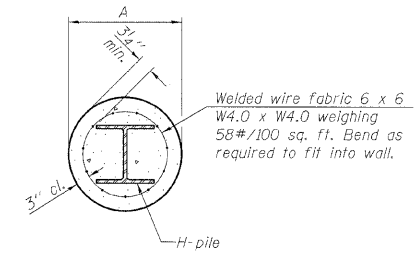
Designation	Depth d	Flange width br	Web and Flange thickness t	Encasement diameter A
HP 14x117	14 1/2"	14 7/8"	5/8"	30"
x102	14"	14 3/4"	5/8"	30"
x89	13 7/8"	14 3/4"	5/8"	30"
x73	13 5/8"	14 5/8"	1/2"	30"
HP 12x84	12 1/4"	12 1/4"	5/8"	24"
x74	12 1/8"	12 1/4"	5/8"	24"
x63	12"	12 1/8"	1/2"	24"
x53	11 3/4"	12"	7/16"	24"
HP 10x57	10"	10 1/4"	9/16"	24"
x42	9 3/4"	10 1/8"	7/16"	24"
HP 8x36	8"	8 1/8"	7/16"	18"



ELEVATION



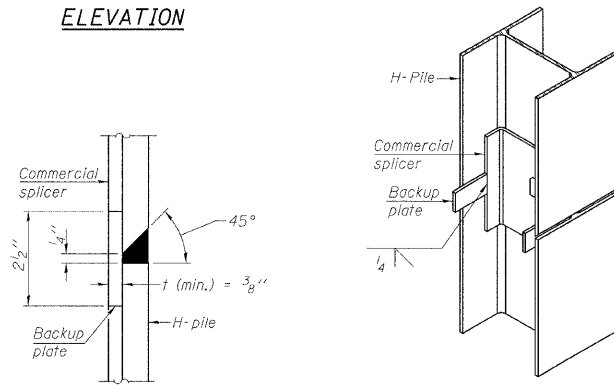
ELEVATION



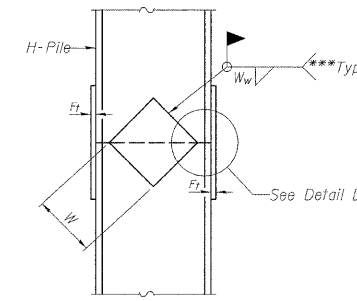
SECTION A-A

Note: Forms for encasement may be omitted when soil conditions permit.

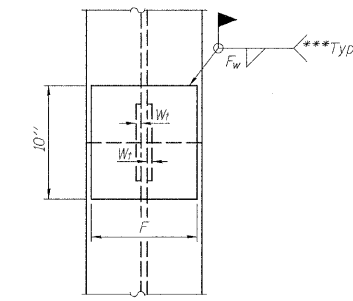
PILE ENCASEMENT



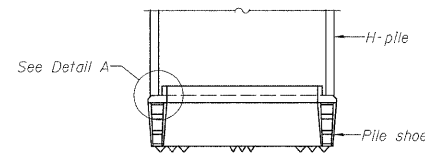
ISOMETRIC VIEW



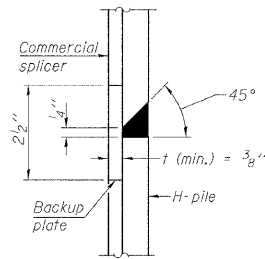
ELEVATION



END VIEW

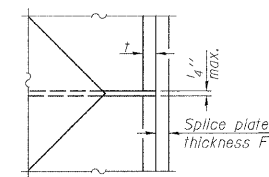


ELEVATION



DETAIL "B"

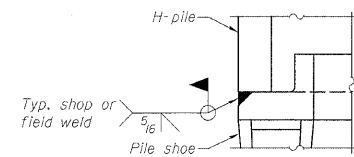
WELDED COMMERCIAL SPLICE



DETAIL D

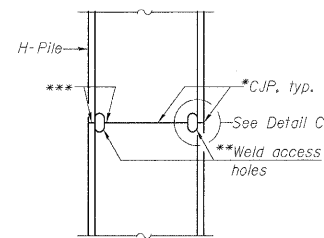
WELDED PLATE FIELD SPLICE

Designation	F	Ft	Fw	W	Wt	Ww
HP 14x117	12 1/2"	1"	7/8"	7 3/4"	5/8"	1/2"
x102	12 1/2"	7/8"	3/4"	7 3/4"	5/8"	1/2"
x89	12 1/2"	3/4"	5/16"	7 3/4"	5/8"	1/2"
x73	12 1/2"	5/8"	9/16"	7 3/4"	5/8"	1/2"
HP 12x84	10"	7/8"	5/16"	6 1/2"	5/8"	1/2"
x74	10"	7/8"	5/16"	6 1/2"	5/8"	1/2"
x63	10"	5/8"	1/2"	6 1/2"	1/2"	3/8"
x53	10"	5/8"	1/2"	6 1/2"	1/2"	3/8"
HP 10x57	8"	3/4"	9/16"	5 1/4"	1/2"	3/8"
x42	8"	5/8"	9/16"	5 1/4"	1/2"	3/8"
HP 8x36	7"	5/8"	7/16"	4 1/4"	1/2"	3/8"



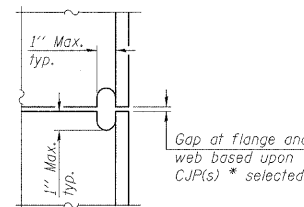
DETAIL A

H-PILE SHOE ATTACHMENT



ELEVATION

COMPLETE PENETRATION WELD SPLICE



DETAIL C

Note: The steel H-piles shall be according to AASHTO M270 Grade 50.

*Use joint conforming to Figure 3.4 in AWS D1.1, Structure Welding Code-Steel.

**Preparation per Fig. 5.2 in AWS D1.1, Structure Welding Code-Steel.

***Interrupt welds 1/4" from end of each pile.

DESIGNED	WSP
CHECKED	ASP
DRAWN	BEM
CHECKED	WSP

F-HP 5-16-08

HP PILE DETAILS
IL 64 OVER FIVE MILE CREEK
F.A.P. RT. 17 SECTION 101BR-4
OGLE COUNTY
STATION 124+91.00
STRUCTURE NO. 071-0095

DLZ 85 W. Algonquin Rd. Ste. 220
Arlington Heights IL 60005