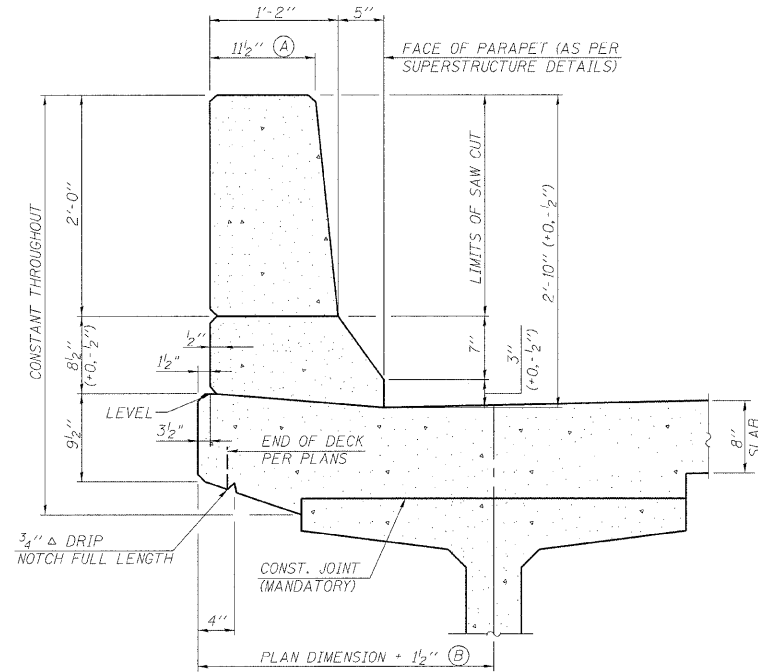


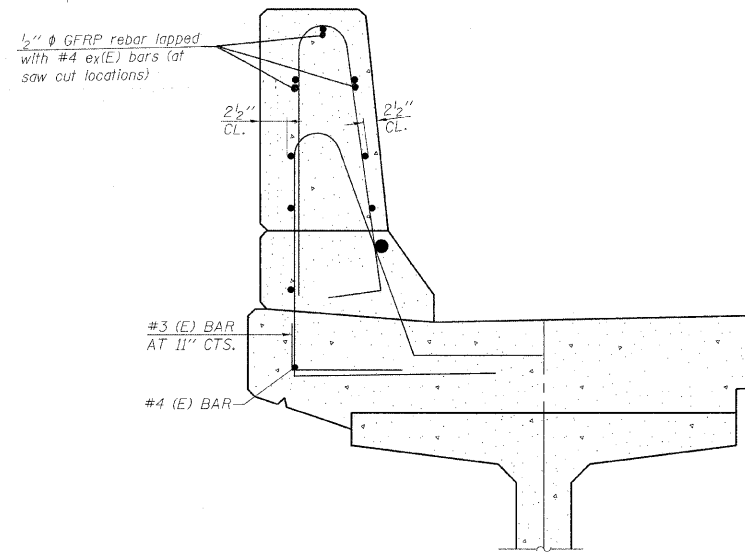
STATE OF ILLINOIS
DEPARTMENT OF TRANSPORTATION

ROUTE NO.	SECTION	COUNTY	STATE	SHEET	SHEET NO. 16 SHEETS 19
F.A.P. 17	101BR-4	OGLE	60	33	
FED. ROAD DIST. NO. 2		ILLINOIS	FED. AID PROJECT		

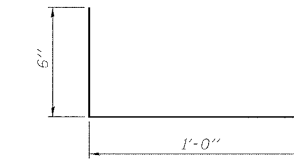
Contract # 64D11



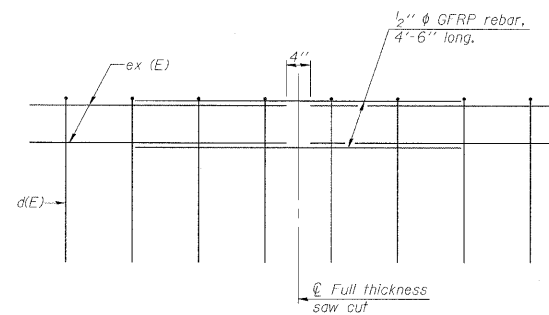
SECTION
(Showing dimensions)



SECTION
(SHOWING REINFORCEMENT CLEARANCES FOR SLIP FORMING AND ADDITIONAL REINFORCEMENT BARS)



#3 (E) BAR



GFRP REBAR STIFFENING DETAIL
(Place as shown in parapet section at each parapet joint location.)

GENERAL NOTES

ALL DIMENSIONS SHALL REMAIN THE SAME AS SHOWN ON CONTRACT PLANS, EXCEPT DIMENSIONS A AND B WHICH ARE TO BE REVISED AS SHOWN TO PROVIDE ADDITIONAL CLEARANCE. ADDITIONAL CONCRETE NEEDED TO REVISE DIMENSION A AND B = 0.0165 CU. YDS./FT. OF PARAPET.

FULL THICKNESS SAW CUT AT ALL JOINT LOCATIONS IN LIEU OF CORK JOINT FILLER.

DESIGNED	ASP
CHECKED	WSP
DRAWN	BEM
CHECKED	ASP

SFP-34 5-16-08

CONCRETE PARAPET SLIPFORMING OPTION
IL 64 OVER FIVE MILE CREEK
F.A.P. RT. 17 SECTION 101BR-4
OGLE COUNTY
STATION 124+91.00
STRUCTURE NO. 071-0095

DLZ 85 W. Algonquin Rd. Ste. 220
Arlington Heights IL 60005
DLZ Illinois, Inc.