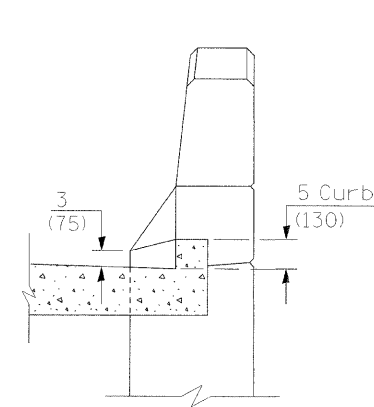
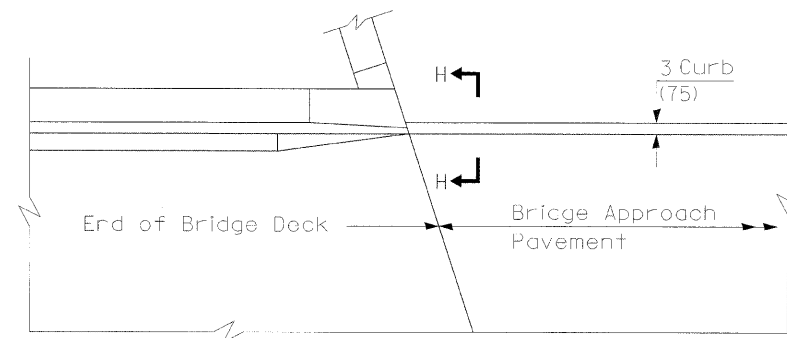


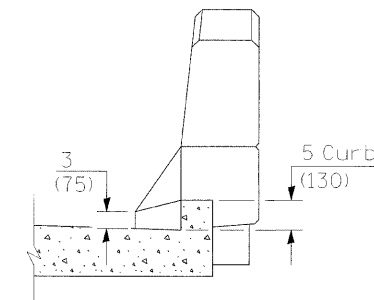
PARAPET TO CURB TRANSITION  
PILE BENT ABUTMENT



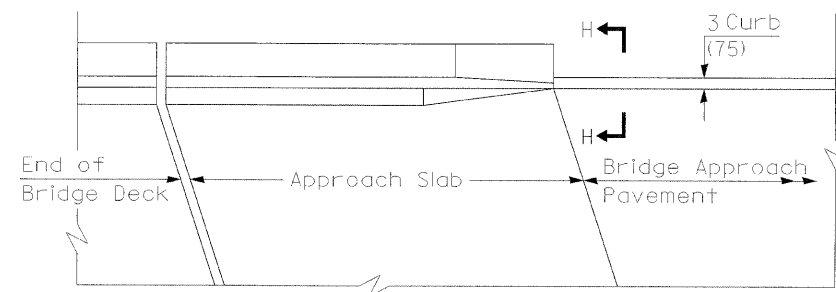
SECTION I - I



PARAPET TO CURB TRANSITION  
INTEGRAL ABUTMENT



SECTION H - H



PARAPET TO CURB TRANSITION  
VAULTED ABUTMENT

FILE NAME = #FILE#	USER NAME = #USER#	DESIGNED -	REVISED -	<b>STATE OF ILLINOIS DEPARTMENT OF TRANSPORTATION</b>	<b>BRIDGE APPROACH PAVEMENT</b>	F.A.P. RTE.	SECTION	COUNTY	TOTAL SHEETS	SHEET NO.	
	PLOT SCALE = #SCALE#	DRAWN -	REVISED -			17	101BR-4	OGLE	60	40	
	PLOT DATE = #DATE#	CHECKED -	REVISED -			CONTRACT NO. 64D11					
		DATE -	REVISED -			SCALE:	SHEET NO. 4 OF 4 SHEETS	STA.	TO STA.	FED. ROAD DIST. NO.	ILLINOIS FED. AID PROJECT