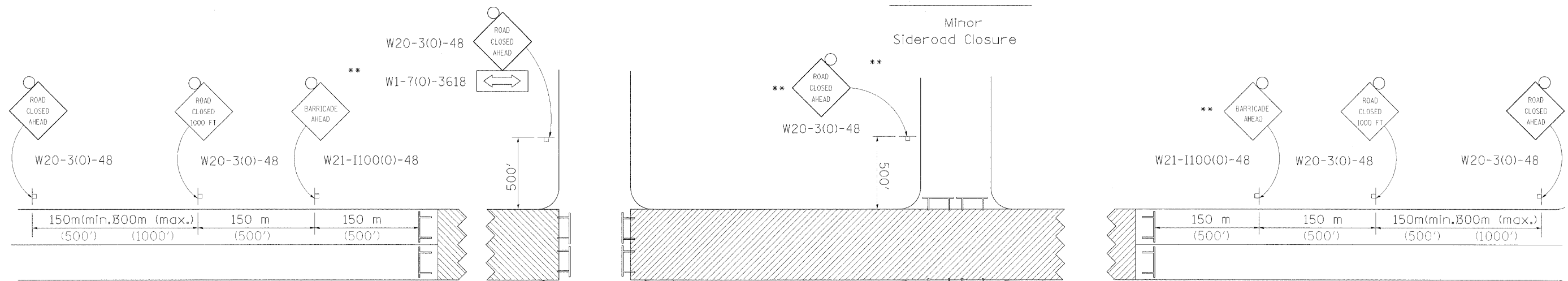


TRAFFIC CONTROL FOR ROAD CLOSURE

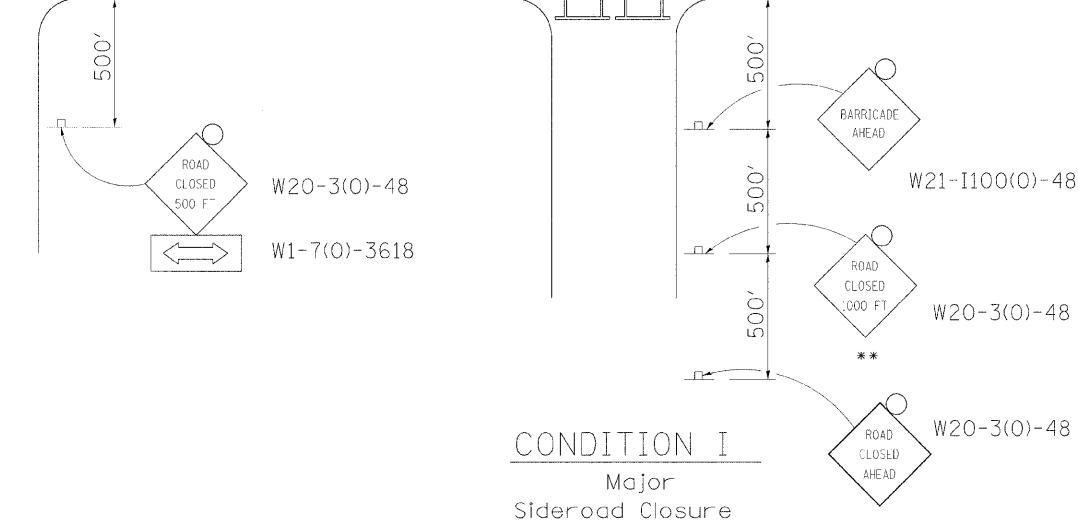
CONDITION II

Minor Sideroad Closure

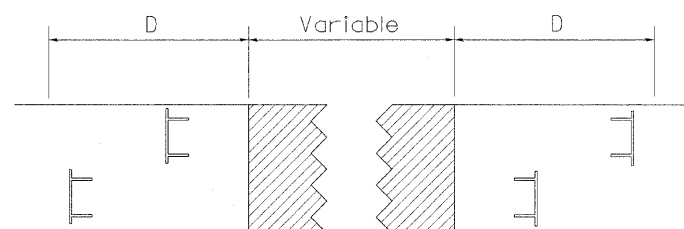


CONDITION I

Major Sideroad Closure

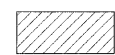

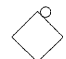


ROAD CLOSED TO THRU TRAFFIC BARRICADE SET UP



Type III Barricades and R11-4-4830 signs shall be as shown in "Road Closed To All Thru Traffic" detail on Highway Standard 701901. If the distance "D" exceeds 600 m (2000') an additional set of barricades and R11-4-4830 shall be placed at each end of the work area.

SYMBOLS

-  Work area
-  Type III Barricade with Flashers
-  Sign with flashing light

GENERAL NOTES

Longitudinal dimensions may be adjusted to fit field conditions.

When speed limit is less than 45mph, change sign spacing to 250' and change ROAD CLOSED 1000 FT to ROAD CLOSED 500 FT.

Side roads requiring all three signs as shown in CONDITION I (Major Sideroad Closure), shall be listed in the special provision.

** Where local access is to be maintained, barricades are to be set up as shown in Road Closed to thru traffic. Type III Barricades and R11-2-4830 signs shall be as shown in "Road Closed To All Traffic" detail on Highway Standard 701901.

All dimensions are in millimeters (inches) unless otherwise shown.

TYPICAL APPLICATION FOR ROAD CLOSURE

FILE NAME = #FILEL#	USER NAME = #USER#	DESIGNED -	REVISED - 1-11-08	STATE OF ILLINOIS DEPARTMENT OF TRANSPORTATION	REGION 2 / DISTRICT 2 STANDARD			F.A.P. RTE.	SECTION	COUNTY	TOTAL SHEETS	SHEET NO.
	PLCT SCALE = #SCALE#	DRAWN -	REVISED -					17	101BR-4	OGLE	60	44
	PLCT DATE = #DATE#	CHECKED -	REVISED -					CONTRACT NO. 64D11				
		DATE -	REVISED -					ILLINOIS FED. AID PROJECT				
				SCALE: NTS	SHEET NO.	OF	SHEETS	STA.	TO STA.			