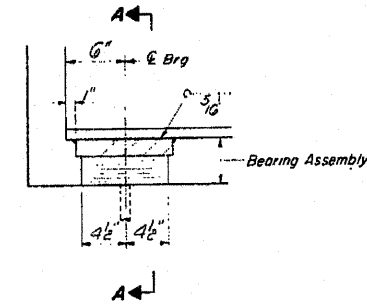


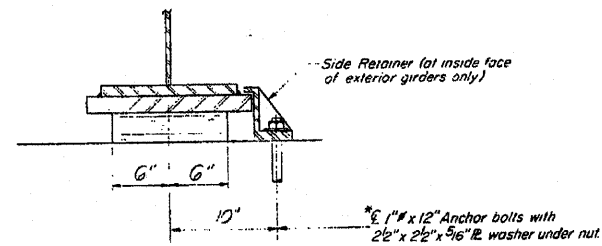
FOR INFORMATION ONLY

STATE OF ILLINOIS
DEPARTMENT OF TRANSPORTATION

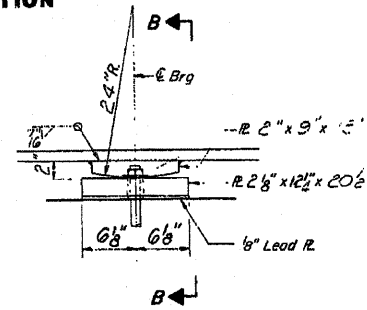
PROJECT NO.	SECTION	COUNTY	TOTAL SHEETS	SHEET NO.
107B-1	WHITESIDE	61	55	13



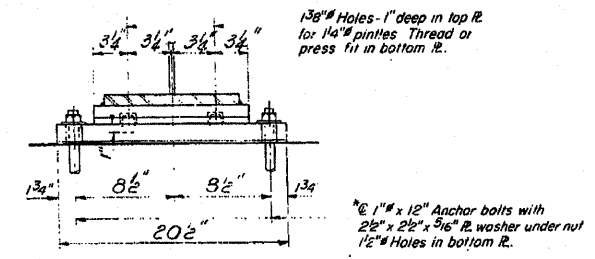
SECTION AT ABUT.



SECTION A-A



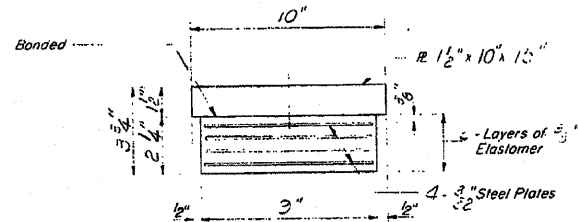
ELEVATION AT PIER #1



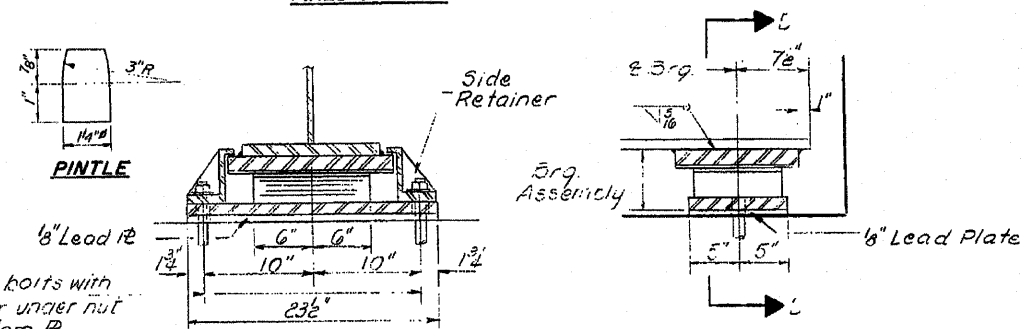
SECTION B-B

TYPE I ELASTOMERIC EXP. BRG.
NORTH ABUTMENT

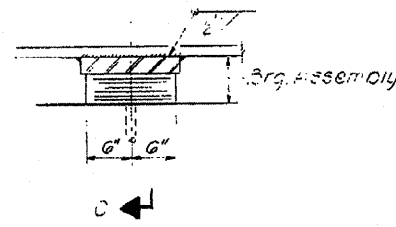
*Note: After beams have been erected holes at expansion bearings shall be drilled and anchor bolts grouted in place. Anchor bolts of fixed bearings may be built into the masonry.



BEARING ASSEMBLY

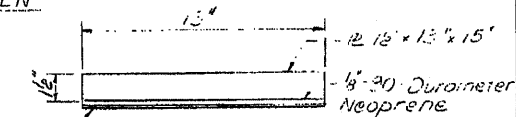


SECTION D-D

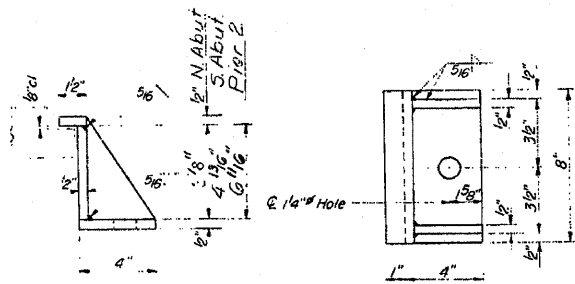


SEC. C-C

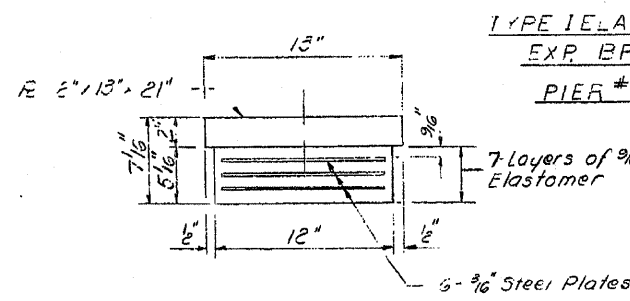
TYPE II ELASTOMERIC EXP. BRG.
SOUTH ABUTMENT



TOP BRG. ASSEMBLY



SIDE RETAINER

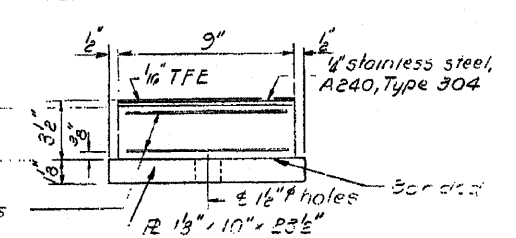


BEARING ASSEMBLY

TYPE I ELASTOMERIC EXP. BRG.
PIER #2

Note: The 1/16" TFE sheet shall be bonded directly to the top steel laminate sheet with a two component, medium viscosity epoxy resin, conforming to the requirements of the Federal Specification MMM-A-134, Type I. The bond agent shall be applied on the full area of the contact surfaces.

1/8" Stainless Steel (A240, Type 304, 2B finish)



BOTTOM BRG. ASSEMBLY

BEARING DETAILS

F.A.R.T. 18 SEC. 107 B-1

WHITESIDE COUNTY

STA. 738+23.00

DESIGNED	Examined	EXAMINED	29 1978
CHECKED	Examined	PASSED	
DRAWN	Mercedo	APPROVED	
CHECKED	Ad	DIRECTOR OF HIGHWAYS	

I-2-E1 2-76

* FAS 1197 (West Lincolnway Road) & FAP 308 (IL 84)
**D2 Bridge Painting 2009-3

FILE NAME = P:\PAINTING\64E93\PLANeng.dgn	USER NAME = linkdj	DESIGNED -	REVISD -	STATE OF ILLINOIS DEPARTMENT OF TRANSPORTATION	Existing Plans SN 098-0095	F.A.R.T.:	SECTION	COUNTY	TOTAL SHEETS	SHEET NO.
PLOT SCALE = 50.0000 / IN.	PLOT DATE = Thu Jan 29 10:20:35 2009	DRAWN -	REVISD -		SCALE: SHEET NO. OF SHEETS STA. TO STA.	.	**	Whiteside	15	11
		CHECKED -	REVISD -							CONTRACT NO. 64E93
		DATE -	REVISD -							ILLINOIS FED. AID PROJECT