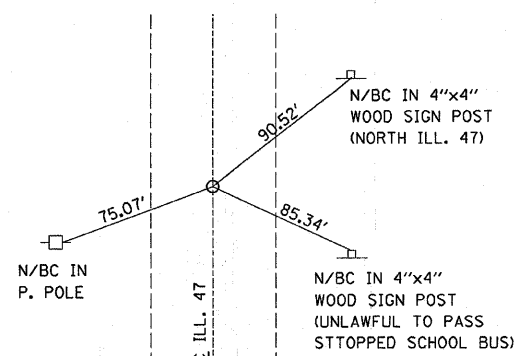
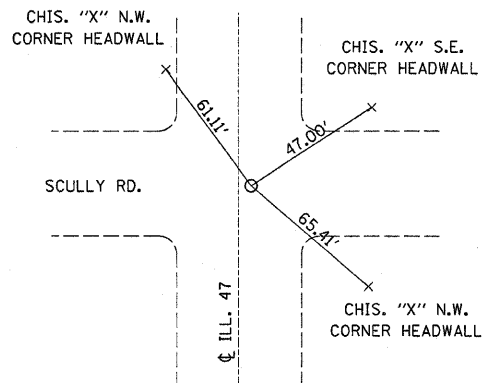


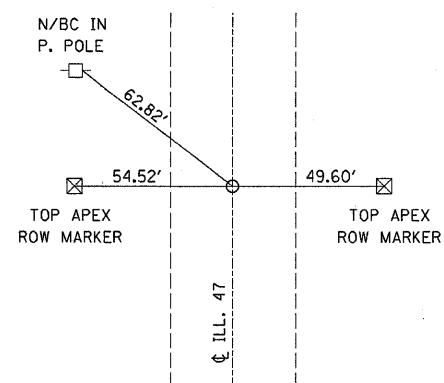
F.A.P. RTE.	SECTION	COUNTY	TOTAL SHEETS	SHEET NO.
326	(118,119) RS-4	GRUNDY	28	19
STA.		TO STA.		
FED. ROAD DIST. NO.		ILLINOIS FED. AID PROJECT		



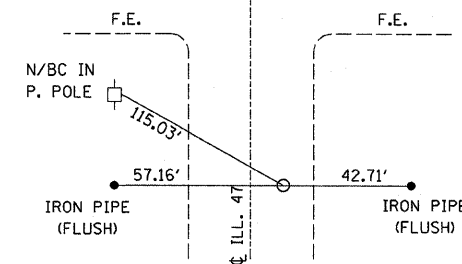
FOUND BRASS DISK ON ϕ ILL. 47
STA. 167+75 ϕ P.C.



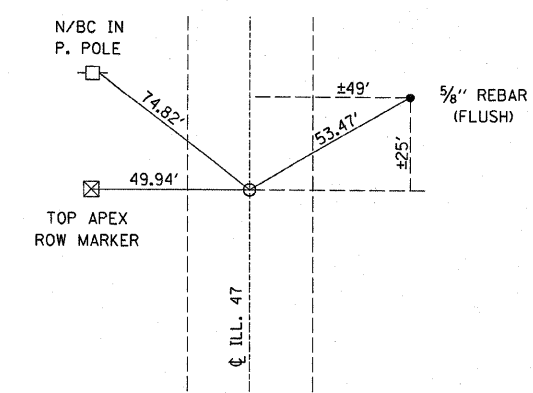
FOUND BRASS DISK
 $\pm 6.5'$ E. OF ϕ ILL. 47



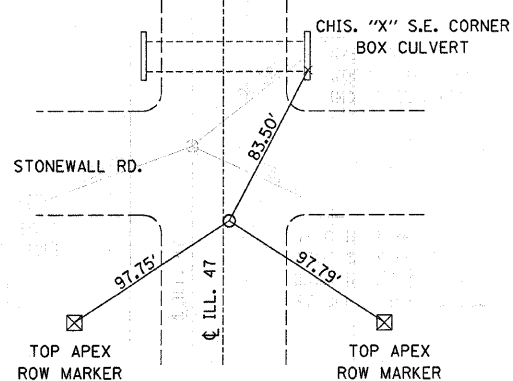
FOUND BRASS DISK ON ϕ ILL. 47
STA. 177+75 ϕ P.T.



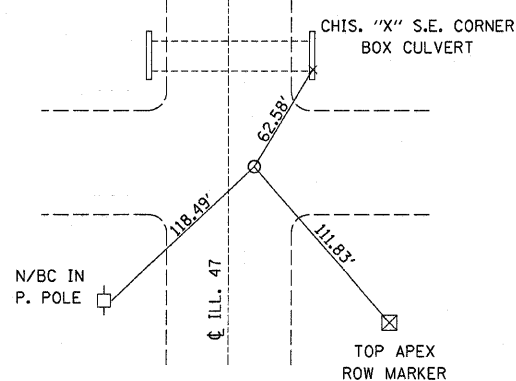
FOUND BRASS DISK
 $\pm 7.18'$ E. OF ϕ ILL. 47



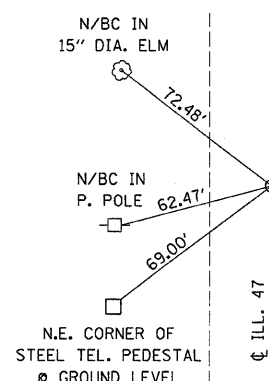
FOUND BRASS DISK ON ϕ ILL. 47
STA. 220+74.92 ϕ P.C.



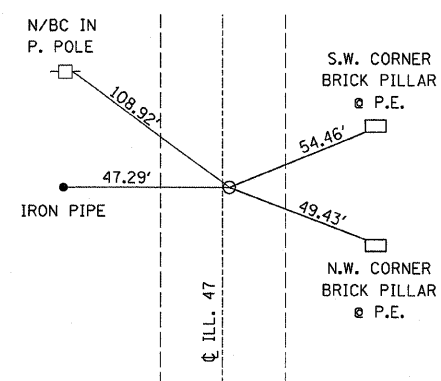
FOUND BRASS DISK ON ϕ ILL. 47
STA. 225+74.92 ϕ P.I.



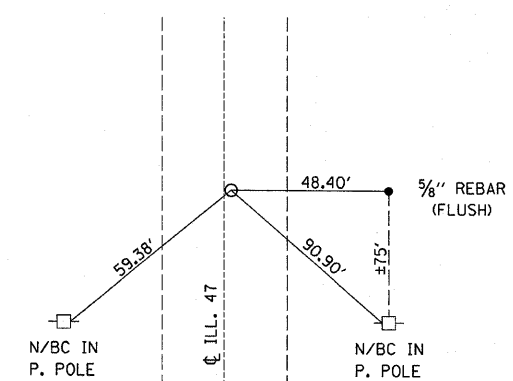
FOUND BRASS DISK
 $\pm 7.49'$ E. OF ϕ ILL. 47



FOUND BRASS DISK ON ϕ ILL. 47
STA. 230+74.92 ϕ P.T.



FOUND BRASS DISK
 $\pm 3.89'$ E. OF ϕ ILL. 47
E $\frac{1}{4}$ COR. SEC. 21
GOODFARM TWP. T31N R7E



FOUND BRASS DISK ON ϕ ILL. 47
STA. 257+40.34 ϕ P.I.

DATE-TIME* C:\pw-wor\k\pw\tdof\br\poc\0116918\der\atl1s.dgn