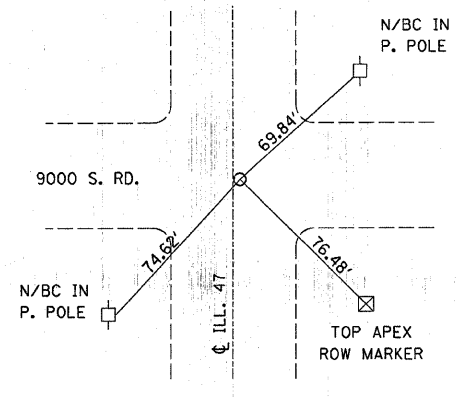
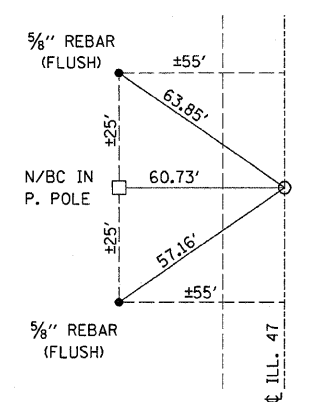


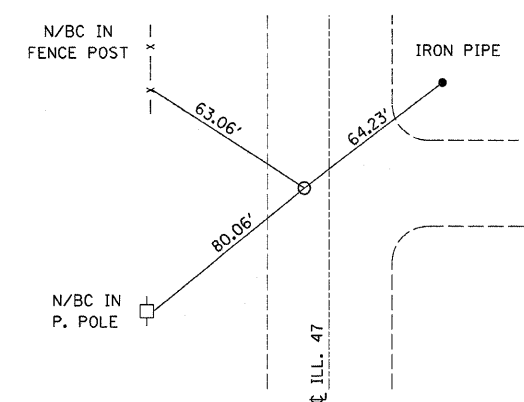
F.A.P. RTE.	SECTION	COUNTY	TOTAL SHEETS	SHEET NO.
326	(118,119) RS-4	GRUNDY	28	20
STA.		TO STA.		
FED. ROAD DIST. NO.	ILLINOIS	FED. AID PROJECT		



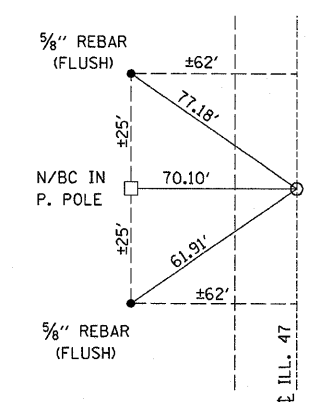
FOUND BRASS DISK
±0.32' E. OF C ILL. 47
NO MONUMENT RECORD ON FILE
IN GRUNTY CO. COURTHOUSE
DISK COULD REPRESENT NE COR.
SEC. 21 T31N R7E



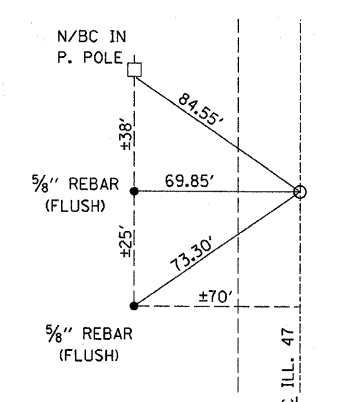
FOUND BRASS DISK ON C ILL. 47
STA. 300+74.91 C P.T.



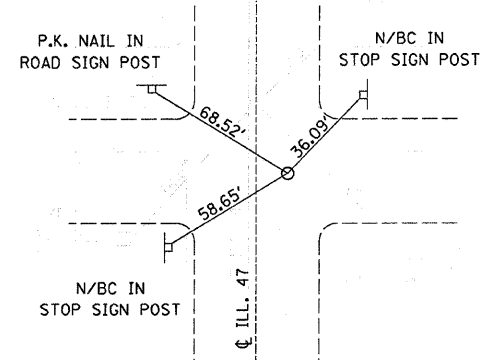
FOUND BRASS DISK
±3.65' W. OF C ILL. 47



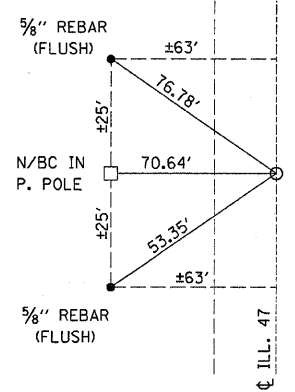
FOUND BRASS DISK ON C ILL. 47
STA. 310+74.91 C P.T.



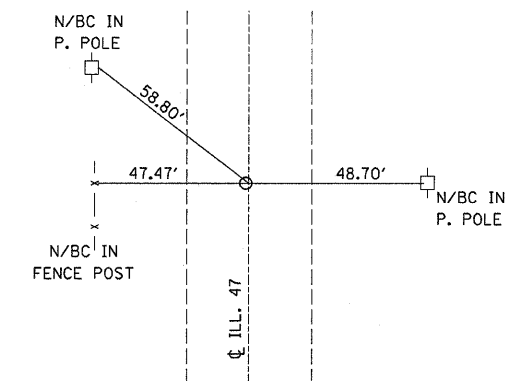
FOUND BRASS DISK ON C ILL. 47
STA. 326+74.91 C P.T.



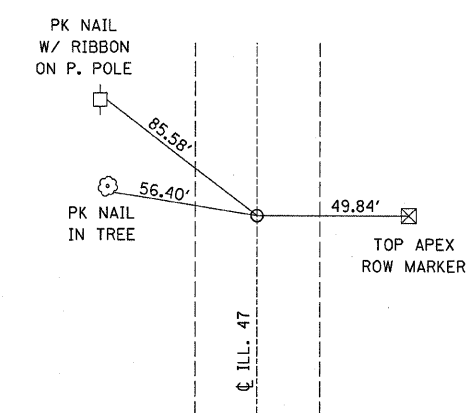
FOUND SURVEY NAIL
±8.5' E. OF C ILL. 47
N.E. COR. SEC. 16
GOODFARM TWP. T31N R7E



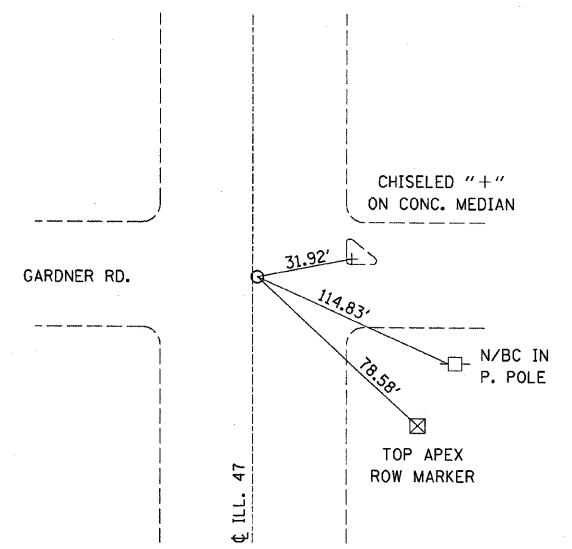
FOUND BRASS DISK ON C ILL. 47
STA. 336+74.91 C P.T.



FOUND BRASS DISK
±0.23' W. OF C ILL. 47
NO MONUMENT RECORD ON FILE
IN GRUNTY CO. COURTHOUSE
DISK COULD REPRESENT E 1/4 COR.
SEC. 9 T31N R7E



FOUND BRASS DISK ON C ILL. 47
STA. 379+94.86 C P.C.



FOUND BRASS DISK
±0.33' E. OF C ILL. 47
NO MONUMENT RECORD ON FILE
IN GRUNTY CO. COURTHOUSE
DISK COULD REPRESENT NE COR.
SEC. 9 T31N R7E

DATE-TIME: C:\pw_wor\k\pw\tdot\braboy\pc\00116918\det\atl is.dgn