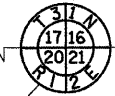
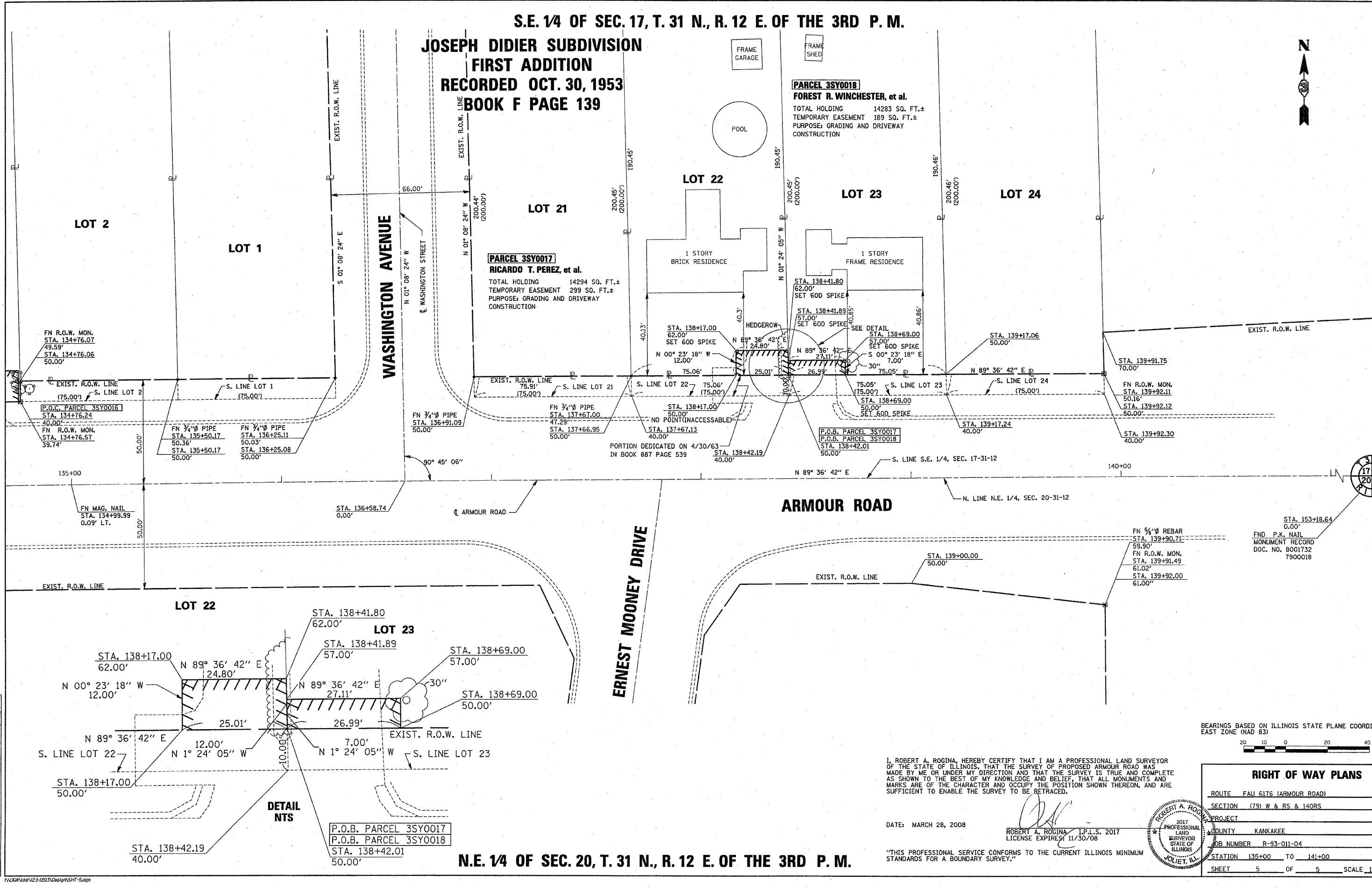
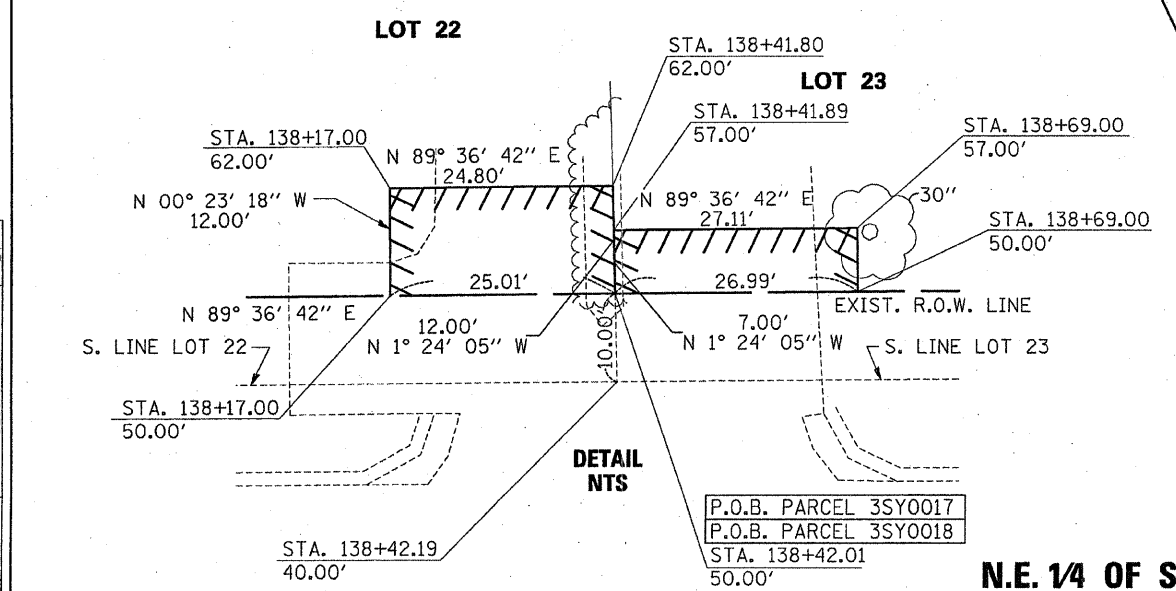


S.E. 1/4 OF SEC. 17, T. 31 N., R. 12 E. OF THE 3RD P. M.

JOSEPH DIDIER SUBDIVISION
FIRST ADDITION
RECORDED OCT. 30, 1953
BOOK F PAGE 139



NO.	DATE	DESCRIPTION	BY
3	03/27/08	STAKING PLAN	W.A.R.
2	02/19/08	PER FOOT REVIEW	M.C.M.
1	01/15/08	PER FOOT REVIEW	M.C.M.
	01/21/05	ORIGINAL ISSUE	

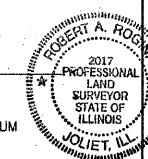


Y:\ADG\Draw\23-1203\Design\SH17-5.dwg

I, ROBERT A. ROGINA, HEREBY CERTIFY THAT I AM A PROFESSIONAL LAND SURVEYOR OF THE STATE OF ILLINOIS, THAT THE SURVEY OF PROPOSED ARMOUR ROAD WAS MADE BY ME OR UNDER MY DIRECTION AND THAT THE SURVEY IS TRUE AND COMPLETE AS SHOWN TO THE BEST OF MY KNOWLEDGE AND BELIEF, THAT ALL MONUMENTS AND MARKS ARE OF THE CHARACTER AND OCCUPY THE POSITION SHOWN THEREON, AND ARE SUFFICIENT TO ENABLE THE SURVEY TO BE RETRACED.

DATE: MARCH 28, 2008

ROBERT A. ROGINA, I.P.L.S. 2017
LICENSE EXPIRES: 11/30/08



"THIS PROFESSIONAL SERVICE CONFORMS TO THE CURRENT ILLINOIS MINIMUM STANDARDS FOR A BOUNDARY SURVEY."

BEARINGS BASED ON ILLINOIS STATE PLANE COORDINATES
EAST ZONE (NAD 83)



RIGHT OF WAY PLANS

ROUTE	FAU 6176 (ARMOUR ROAD)
SECTION	(79) W & RS & 140RS
PROJECT	
COUNTY	KANKAKEE
JOB NUMBER	R-93-011-04
STATION	135+00 TO 141+00
SHEET	5 OF 5 SCALE 1" = 20'

N.E. 1/4 OF SEC. 20, T. 31 N., R. 12 E. OF THE 3RD P. M.