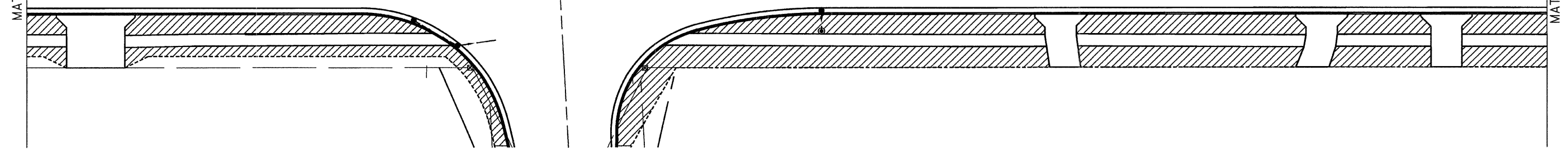
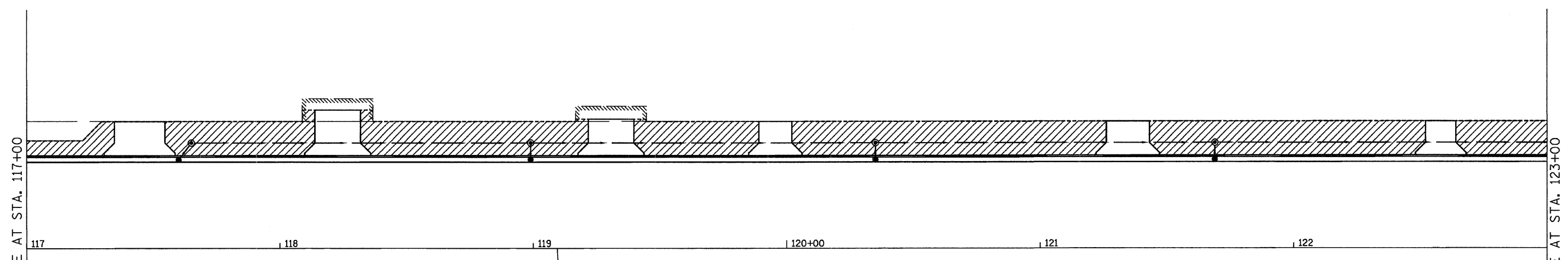
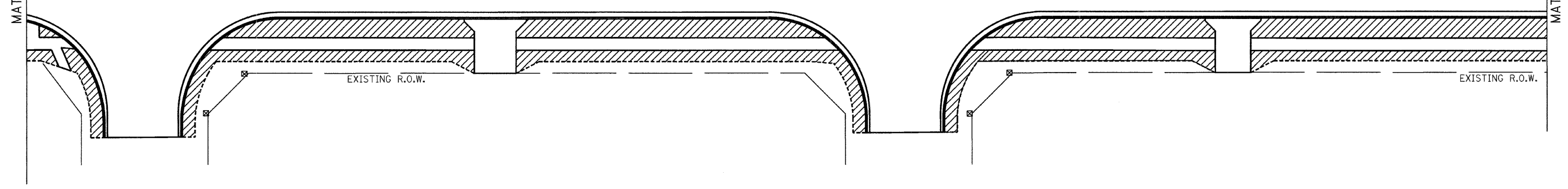
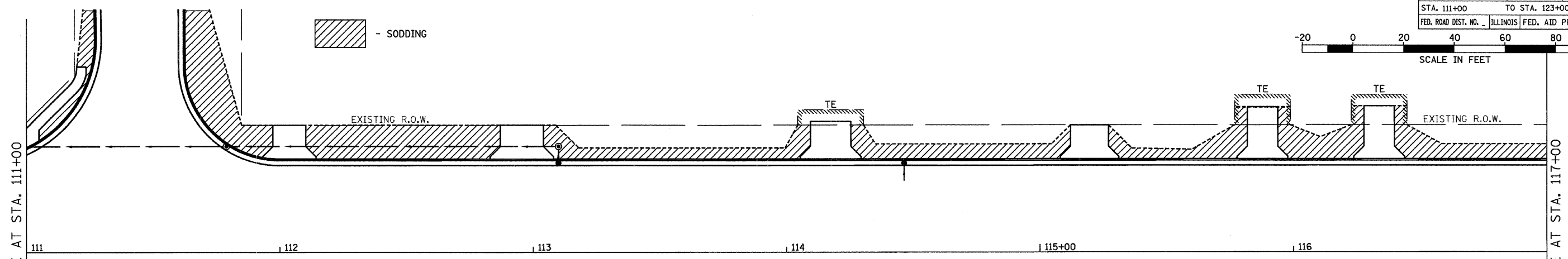
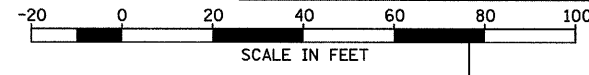


- FAU ROUTE 6176 (ARMOUR ROAD)
- SECTION (79)W&RS & 140RS

F.A. RTE.	SECTION	COUNTY	TOTAL SHEETS	SHEET NO.
*	**	KANKAKEE	109	56

STA. 111+00 TO STA. 123+00
 FED. ROAD DIST. NO. ILLINOIS FED. AID PROJECT



PLOT DATE = 12/06
 FILE NAME = Z64398R111-123.DGN
 PLOT SCALE = 2" = 40'
 USER NAME = PRR