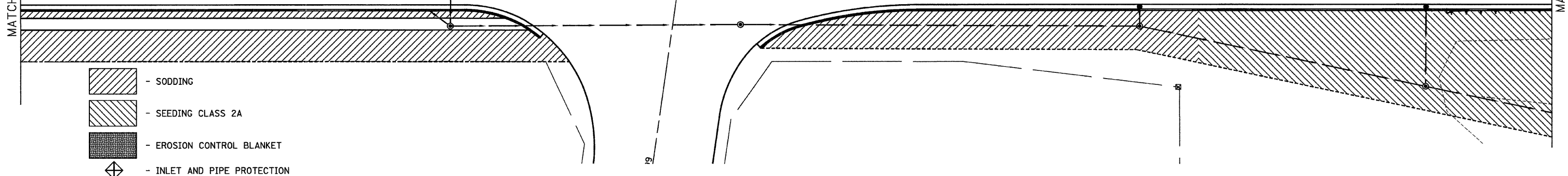
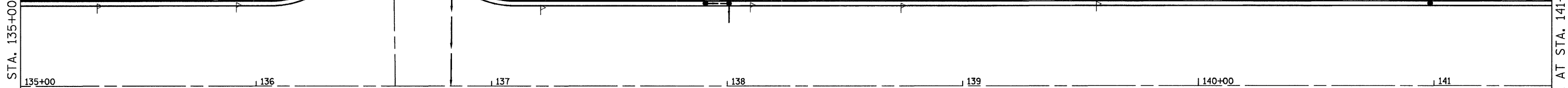
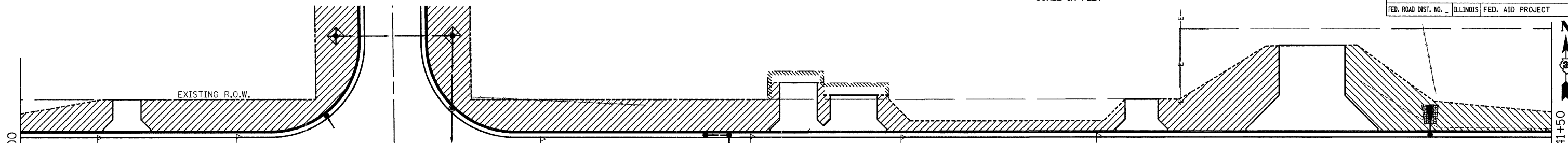


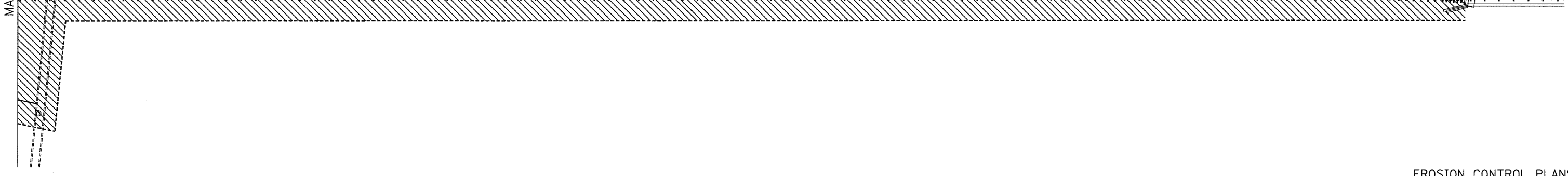
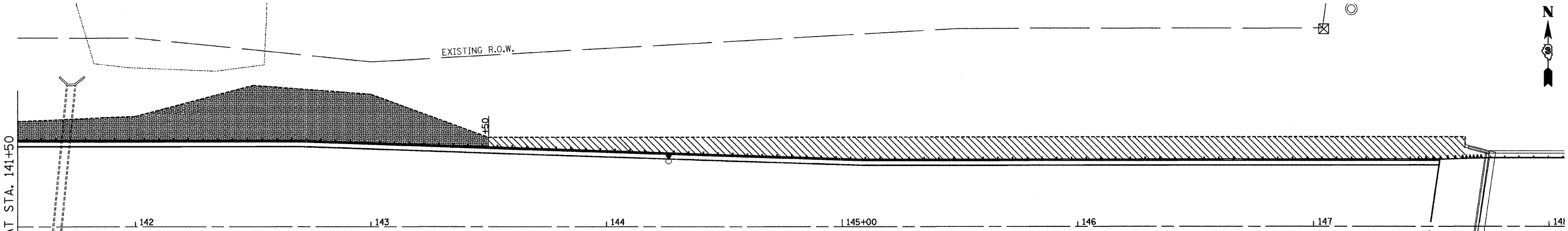
\* FAU ROUTE 6176 (ARMOUR ROAD)  
\*\* SECTION (79)W&RS & 140RS

F.A. RTE.	SECTION	COUNTY	TOTAL SHEETS	SHEET NO.
*	**	KANKAKEE	109	58

STA. 135+00 TO STA. 148+00  
FED. ROAD DIST. NO. ILLINOIS FED. AID PROJECT



- SODDING
- SEEDING CLASS 2A
- EROSION CONTROL BLANKET
- INLET AND PIPE PROTECTION



PLOT DATE = 12/06  
FILE NAME = Z64398ER135-147.DGN  
USER NAME = APR