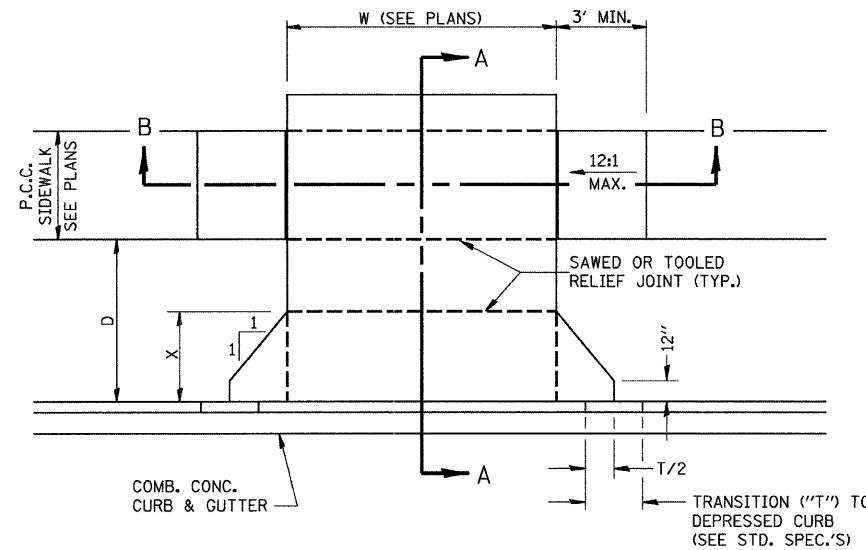
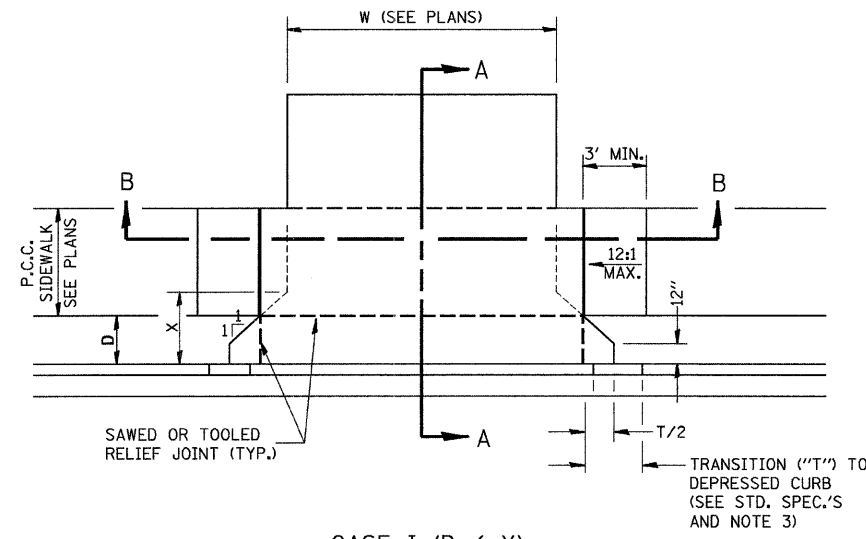


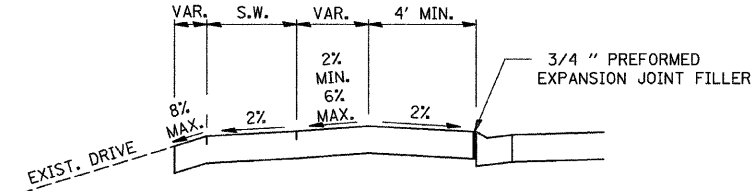
F.A. RTE.	SECTION	COUNTY	TOTAL SHEETS	SHEET NO.
*	**	KANKAKEE	109	63
STA.		TO STA.		
FED. ROAD DIST. NO.		ILLINOIS FED. AID PROJECT		
* FAU ROUTE 6176 (ARMOUR ROAD)				
** SECTION (79)W&RS & 140 RS				



CASE I (D ≥ X)

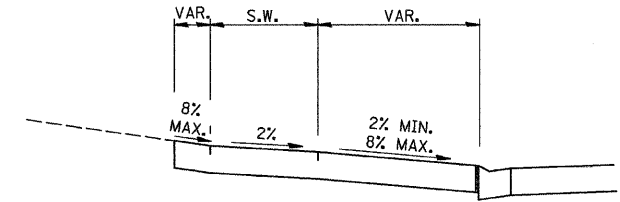


CASE I (D < X)

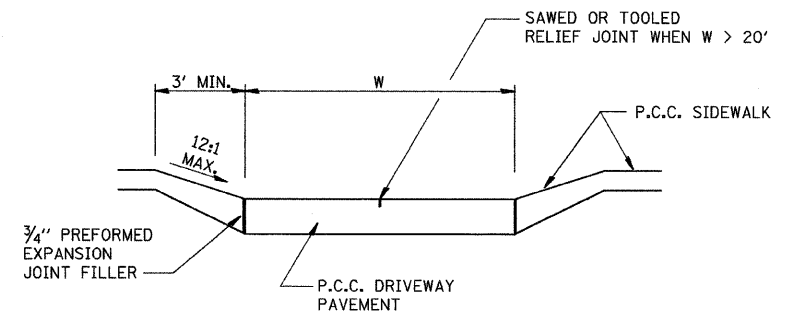


DEPRESSED ENTRANCE*
SECTION A-A

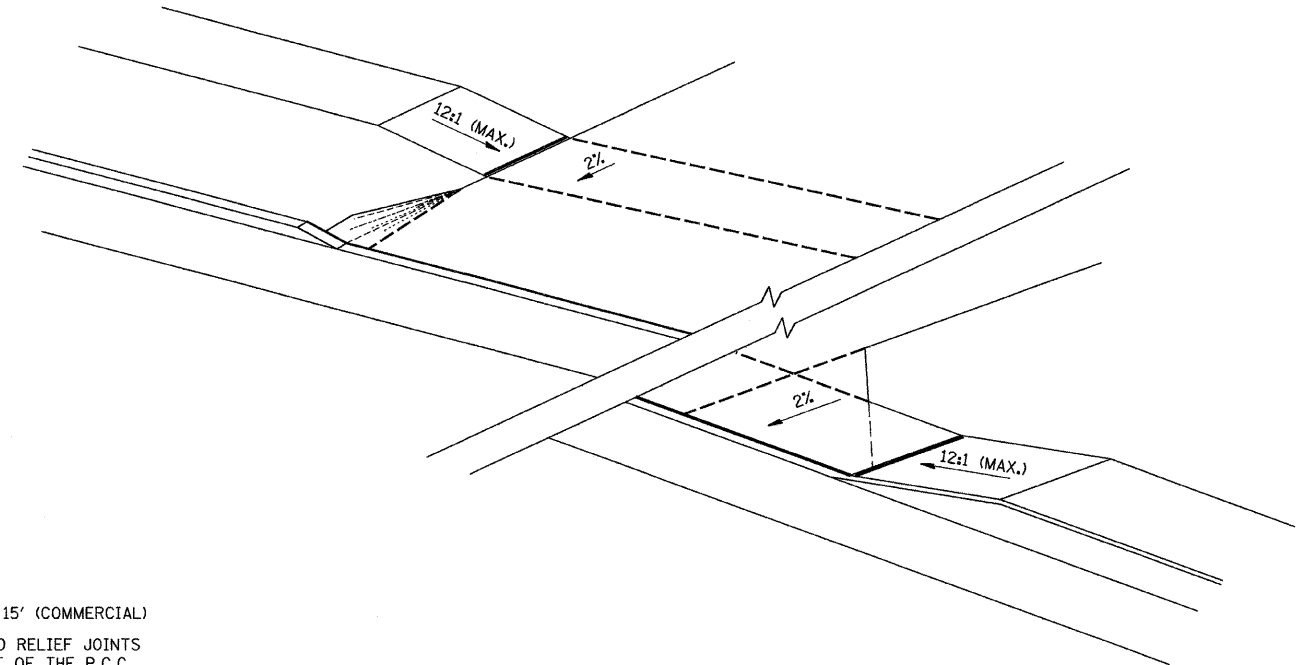
*(SEE X-SECTIONS FOR ENTRANCE PROFILE.)



ELEVATED ENTRANCE*
SECTION A-A



SECTION B-B



GENERAL NOTES:

1. X = 7' (NON-COMMERCIAL) X = 15' (COMMERCIAL)
2. COST OF EXPANSION JOINTS AND RELIEF JOINTS SHALL BE INCLUDED IN THE COST OF THE P.C.C. DRIVEWAY PAVEMENT.
3. AS THE DIMENSION "D" APPROACHES ZERO, THE TRANSITION TO DEPRESSED CURB SHALL BE NO STEEPER THAN 12:1

PCC URBAN ENTRANCES

PLT DATE = 12/06
FILE NAME = Z04305SPL2.DGN
CPLT DATE = 06/07
USER NAME = PAR

REVISIONS	
NAME	DATE

ILLINOIS DEPARTMENT OF TRANSPORTATION

DETAILS
FAU ROUTE 6176 (ARMOUR ROAD)
SECTION (79)W&RS & 140RS
KANKAKEE COUNTY

SCALE: VERT. DATE HORIZ. DATE
DRAWN BY
CHECKED BY