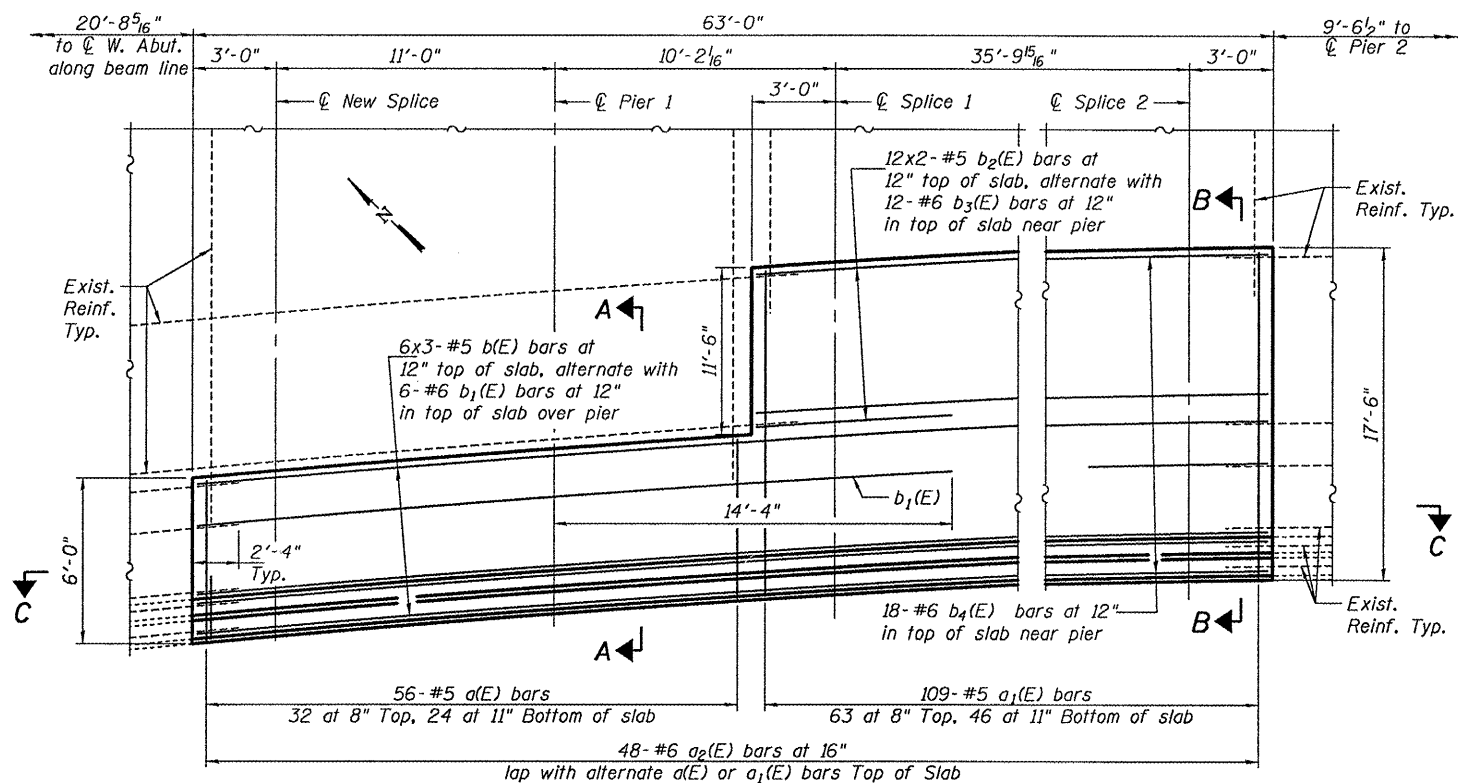


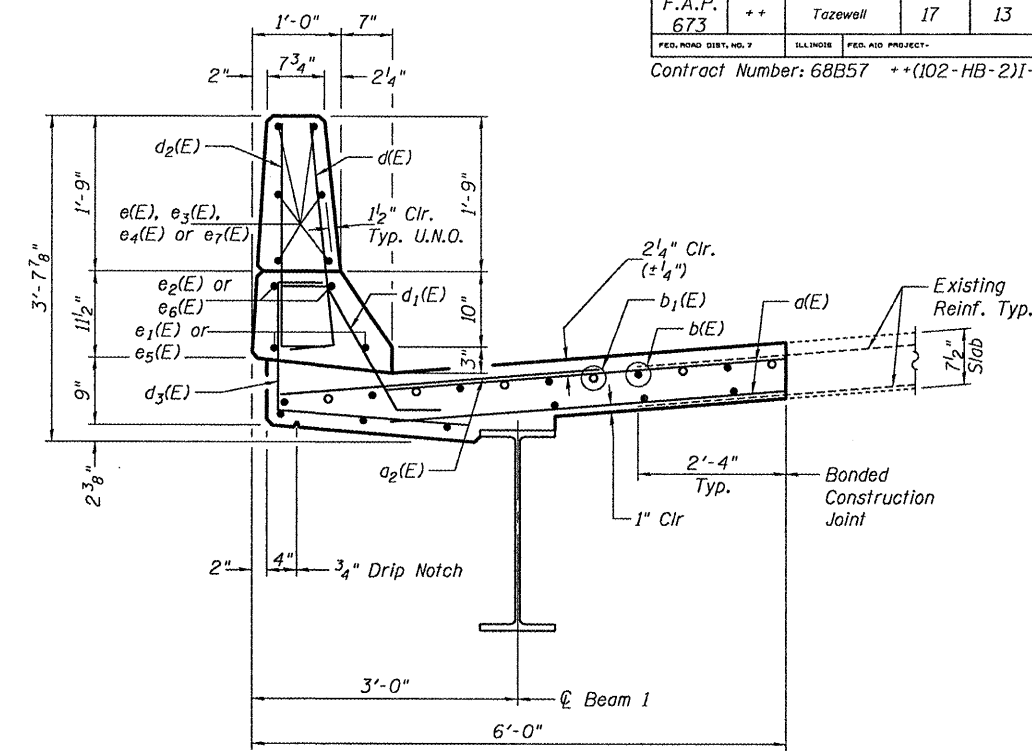
STATE OF ILLINOIS
DEPARTMENT OF TRANSPORTATION

ROUTE NO.	SECTION	COUNTY	TOTAL SHEETS	SHEET NO.
F.A.P. 673	++	Tazewell	17	13
FED. ROAD DIST. NO. 7 ILLINOIS FED. AID PROJECT				
Contract Number: 68B57 ++(102-HB-2)I-2				



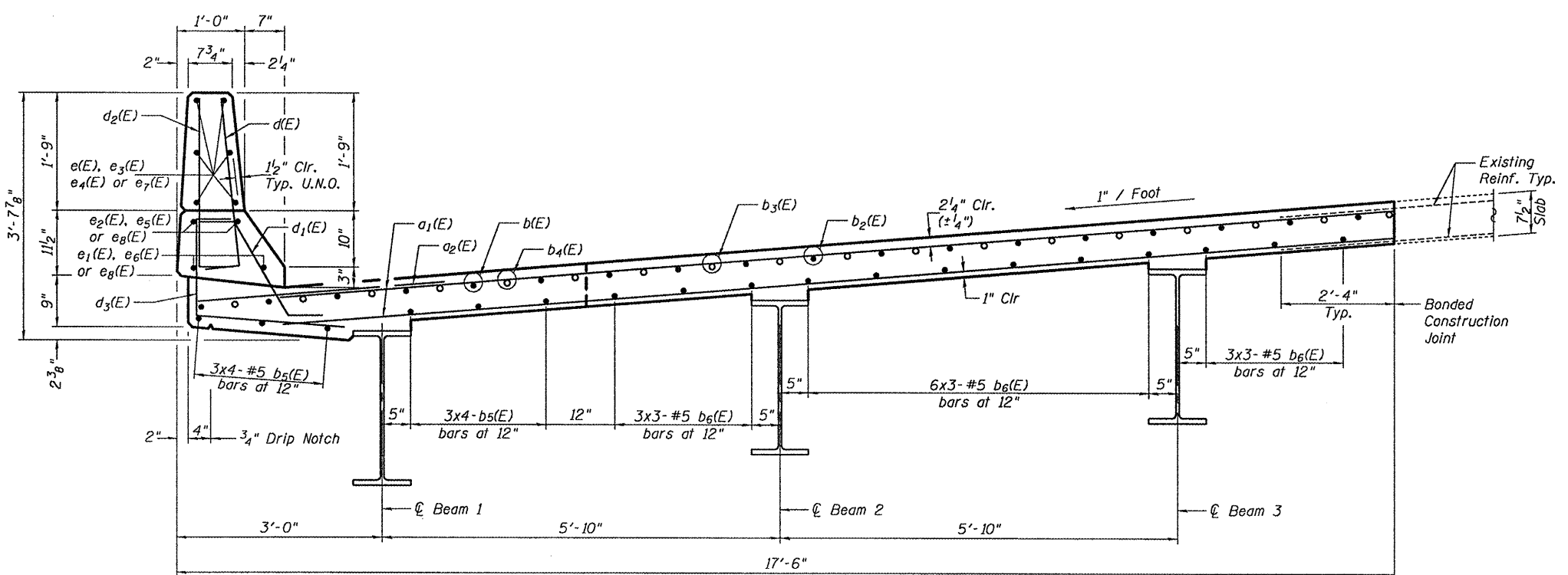
PARTIAL DECK PLAN

Note:
See sheet 4 of 7 for parapet reinforcement and Section C-C.



SECTION A-A

Min. Bar Laps
 #5 = 1'-8"
 #5 = 2'-2" (Transverse)
 #6 = 2'-0"
 #8 = 3'-5"



SECTION B-B

DESIGNED	A.J.B.
CHECKED	S.J.B.
DRAWN	Drew Christopher
CHECKED	A.J.B. S.J.B.

March 19, 2009
 EXAMINED *A. Carl Honey*
 ENGINEER OF STRUCTURAL SERVICES
 PASSED *Ralph E. Anderson*
 ENGINEER OF BRIDGES AND STRUCTURES

DECK REPLACEMENT DETAILS
 F.A. RT. 317
 TAZEWELL COUNTY
 SN 090-0069