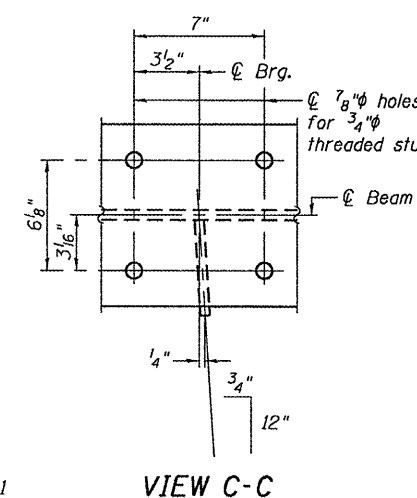
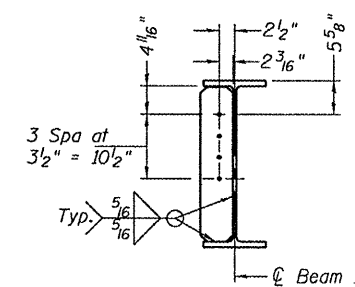
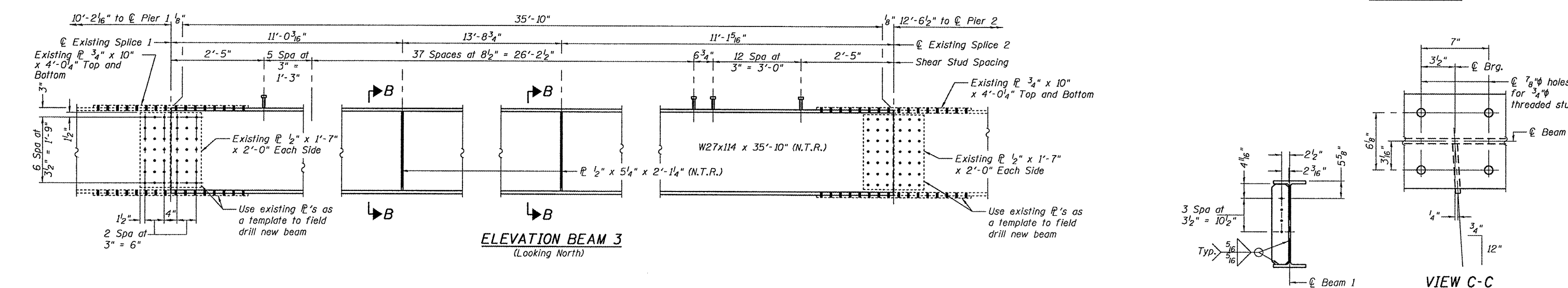
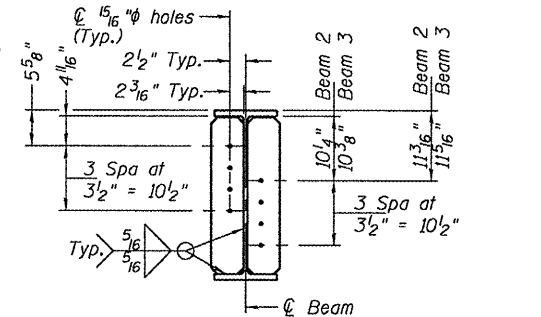
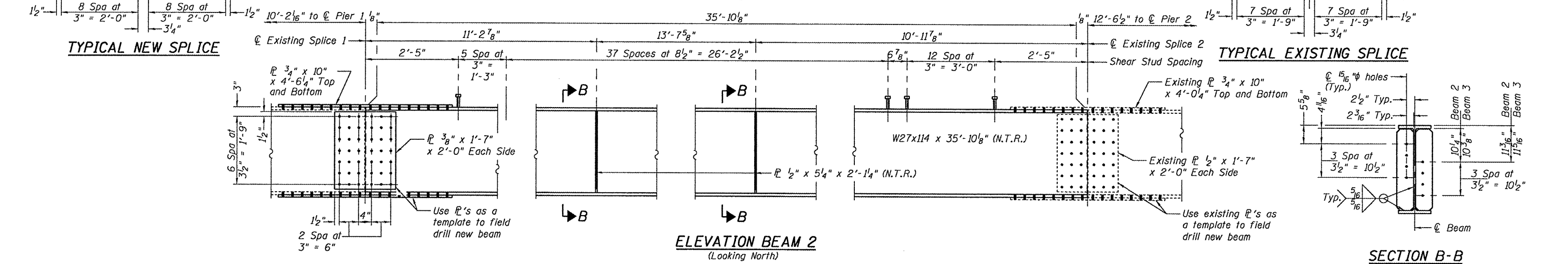
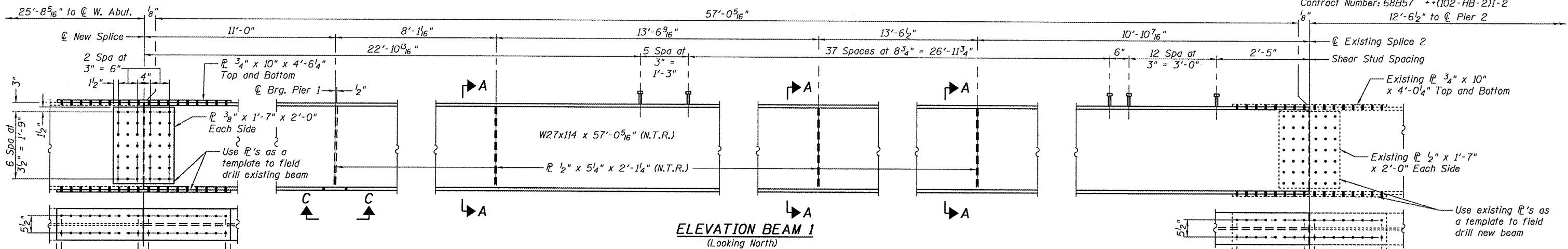


STATE OF ILLINOIS  
DEPARTMENT OF TRANSPORTATION

ROUTE NO.	SECTION	COUNTY	DISTRICT	SHEET NO.	SHEET NO. 5
F.A.P. 673	++	Tazewell	17	15	7 SHEETS
FED. ROAD DIST. NO. 7	ILLINOIS	FED. AID PROJECT-			

Contract Number: 68B57 ++ (102-HB-2)I-2  
12'-6 1/2" to C/Pier 2



DESIGNED	A.J.B.	EXAMINED	March 19, 2009
CHECKED	S.J.B.	PASSED	<i>Carl Hines</i> ENGINEER OF STRUCTURAL SERVICES
DRAWN	Drew Christopher		<i>Ralph E. Anderson</i> ENGINEER OF BRIDGES AND STRUCTURES
CHECKED	A.J.B. S.J.B.		

**BEAM REPLACEMENT DETAILS**  
F.A. RT. 317  
TAZEWELL COUNTY  
SN 090-0069