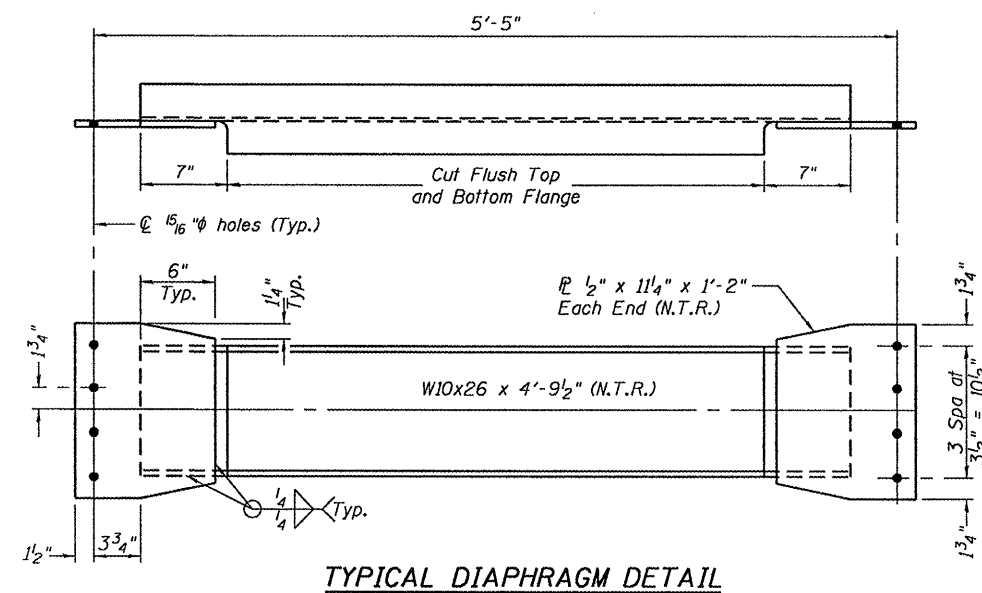
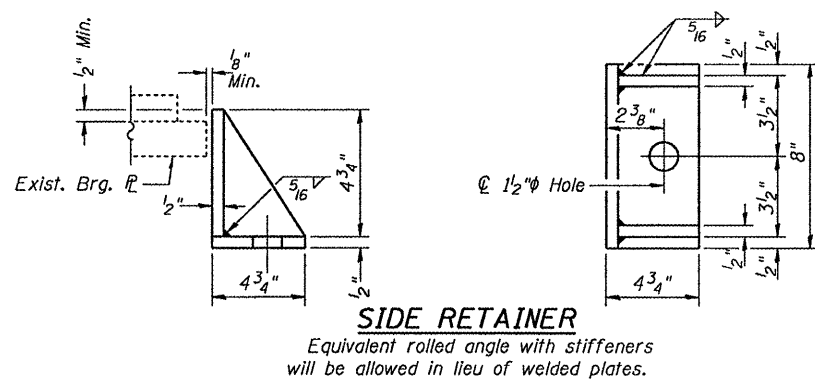
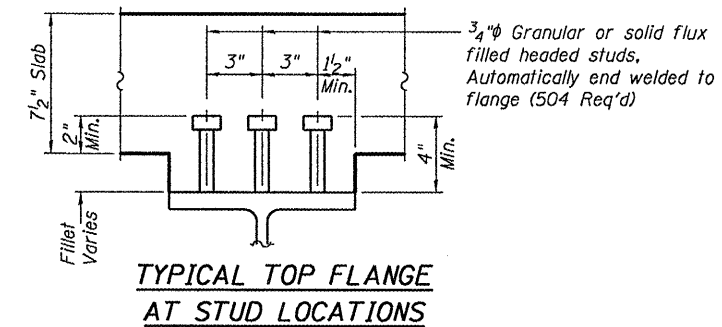
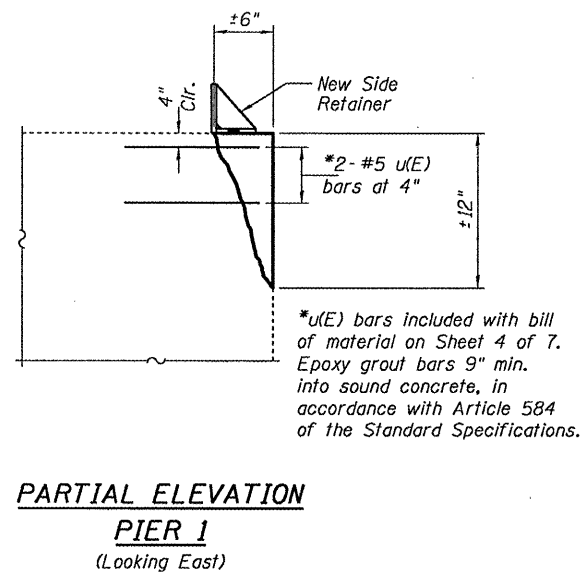
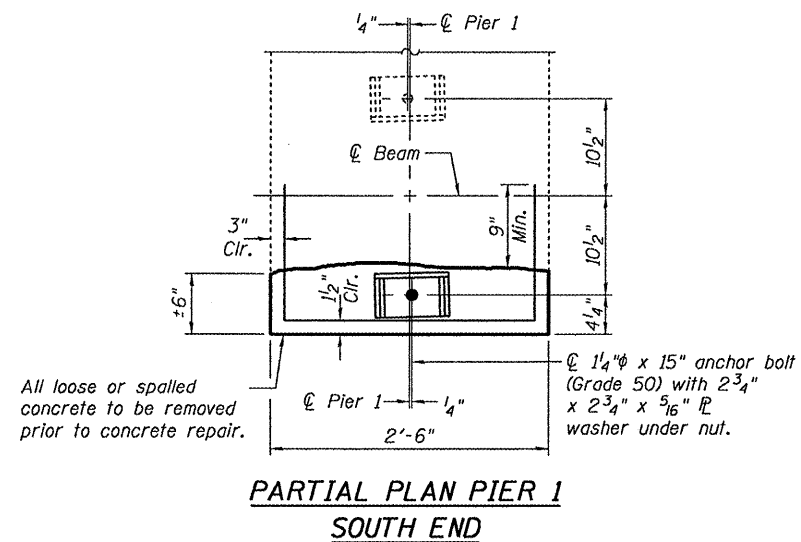


STATE OF ILLINOIS
DEPARTMENT OF TRANSPORTATION

ROUTE NO. F.A.P. 673	SECTION ++	COUNTY Tazewell	TOTAL SHEETS 17	SHEET NO. 16	SHEET NO. 6 7 SHEETS
FED. ROAD DIST. NO. 7		ILLINOIS FED. AID PROJECT			

Contract Number: 68B57 ++(102-HB-2)I-2



DESIGNED	A.J.B.
CHECKED	S.J.B.
DRAWN	Drew Christopher
CHECKED	A.J.B. S.J.B.

March 19, 2009
EXAMINED *A. Carl Perry*
ENGINEER OF STRUCTURAL SERVICES
PASSED *Ralph E. Anderson*
ENGINEER OF BRIDGES AND STRUCTURES

REPAIR DETAILS
F.A. RT. 317
TAZEWELL COUNTY
SN 090-0069