

STATE OF ILLINOIS
DEPARTMENT OF TRANSPORTATION

NORTH EDGE OF SHOULDER

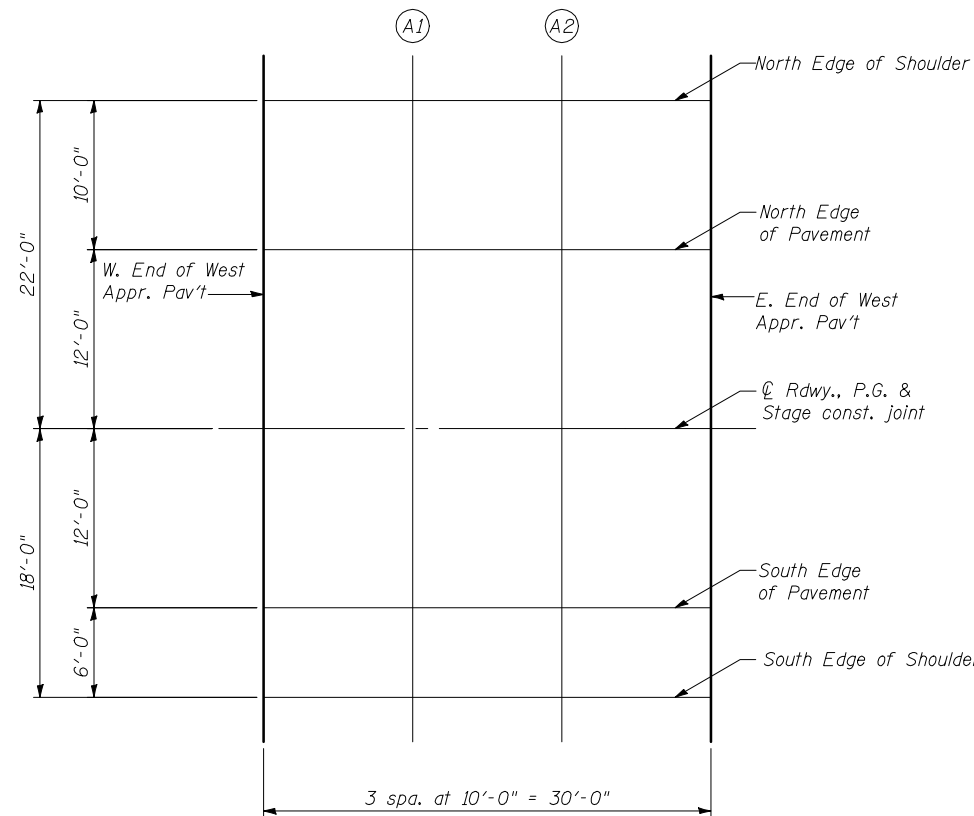
Location	Station	Offset	Theoretical Grade Elevations	Theoretical Grade Elevations Adjusted for Grinding
W. End West Appr. Pav't.	779+38.47	- 66.00	804.32	804.34
A1	779+48.47	- 66.00	804.21	804.23
A2	779+58.47	- 66.00	804.09	804.12
E. End West Appr. Pav't.	779+68.47	- 66.00	803.97	803.99
W. End East Appr. Pav't.	781+28.39	- 66.00	802.20	802.22
A3	781+38.39	- 66.00	802.08	802.10
A4	781+48.39	- 66.00	801.97	801.99
E. End East Appr. Pav't.	781+58.39	- 66.00	801.86	801.88

NORTH EDGE OF PAVEMENT

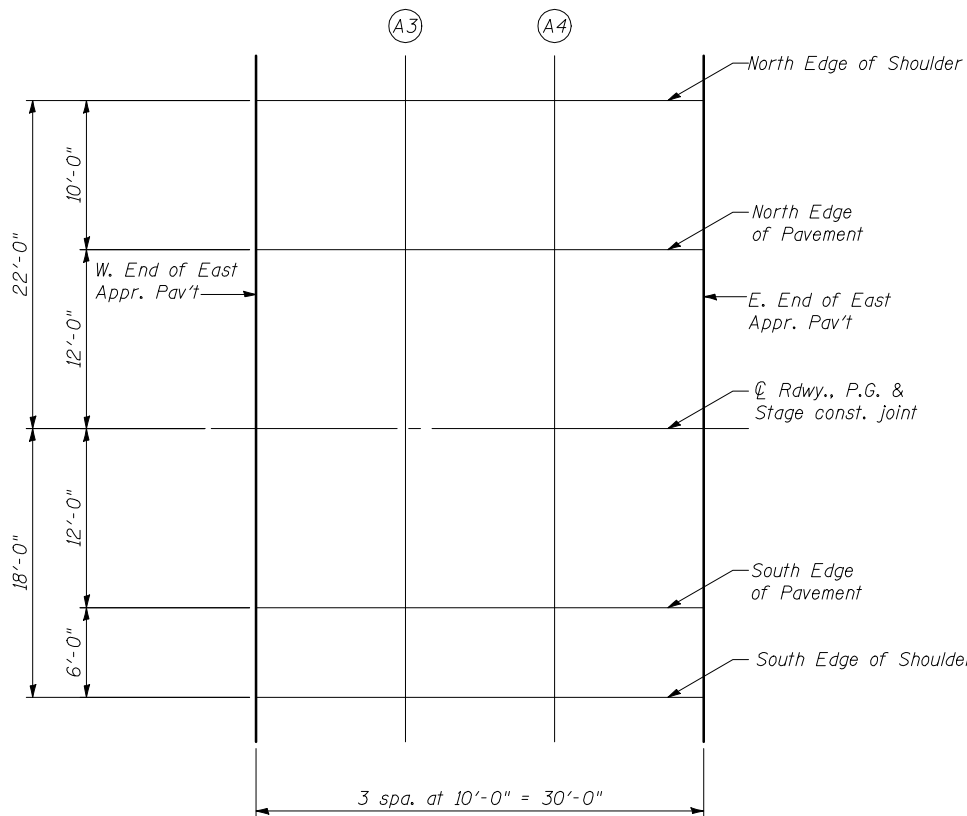
Location	Station	Offset	Theoretical Grade Elevations	Theoretical Grade Elevations Adjusted for Grinding
W. End West Appr. Pav't.	779+38.47	- 56.00	804.52	804.55
A1	779+48.47	- 56.00	804.41	804.43
A2	779+58.47	- 56.00	804.30	804.32
E. End West Appr. Pav't.	779+68.47	- 56.00	804.18	804.20
W. End East Appr. Pav't.	781+28.39	- 56.00	802.41	802.43
A3	781+38.39	- 56.00	802.29	802.31
A4	781+48.39	- 56.00	802.18	802.20
E. End East Appr. Pav't.	781+58.39	- 56.00	802.07	802.09

PROFILE GRADE LINE

Location	Station	Offset	Theoretical Grade Elevations	Theoretical Grade Elevations Adjusted for Grinding
W. End West Appr. Pav't.	779+38.47	- 44.00	804.71	804.73
A1	779+48.47	- 44.00	804.60	804.62
A2	779+58.47	- 44.00	804.49	804.51
E. End West Appr. Pav't.	779+68.47	- 44.00	804.37	804.39
W. End East Appr. Pav't.	781+28.39	- 44.00	802.59	802.62
A3	781+38.39	- 44.00	802.47	802.50
A4	781+48.39	- 44.00	802.36	802.38
E. End East Appr. Pav't.	781+58.39	- 44.00	802.25	802.27



PLAN
West Approach (W.B.)



PLAN
East Approach (W.B.)



SOUTH EDGE OF PAVEMENT

Location	Station	Offset	Theoretical Grade Elevations	Theoretical Grade Elevations Adjusted for Grinding
W. End West Appr. Pav't.	779+38.47	- 32.00	804.52	804.55
A1	779+48.47	- 32.00	804.41	804.43
A2	779+58.47	- 32.00	804.30	804.32
E. End West Appr. Pav't.	779+68.47	- 32.00	804.18	804.20
W. End East Appr. Pav't.	781+28.39	- 32.00	802.41	802.43
A3	781+38.39	- 32.00	802.29	802.31
A4	781+48.39	- 32.00	802.18	802.20
E. End East Appr. Pav't.	781+58.39	- 32.00	802.07	802.09

SOUTH EDGE OF SHOULDER

Location	Station	Offset	Theoretical Grade Elevations	Theoretical Grade Elevations Adjusted for Grinding
W. End West Appr. Pav't.	779+38.47	- 26.00	804.40	804.42
A1	779+48.47	- 26.00	804.29	804.31
A2	779+58.47	- 26.00	804.18	804.20
E. End West Appr. Pav't.	779+68.47	- 26.00	804.06	804.08
W. End East Appr. Pav't.	781+28.39	- 26.00	802.28	802.30
A3	781+38.39	- 26.00	802.16	802.18
A4	781+48.39	- 26.00	802.05	802.07
E. End East Appr. Pav't.	781+58.39	- 26.00	801.94	801.96

Note:
Positive offset is Rt of C
FAI 74 and negative offset
is Lt of C FAI 74.

**TOP OF APPROACH
PAVEMENT ELEVATIONS
WESTBOUND
I-74 OVER LITTLE KICKAPOO CREEK
STRUCTURE NO. 057-0121**

STRAND ASSOCIATES, INC.

DESIGNED	RRD
CHECKED	AJS
DRAWN	KAS
CHECKED	JAR

SHEET NO. 9 27 SHEETS	F.A.I. RTE. 74	SECTION (57-21B)BR	COUNTY MCLEAN	TOTAL SHEETS 61	SHEET NO. 21
	TOP OF SLAB ELEVATIONS (5 OF 5)			CONTRACT NO. 70641	
FED. ROAD DIST. NO. 7 ILLINOIS FED. AID PROJECT					