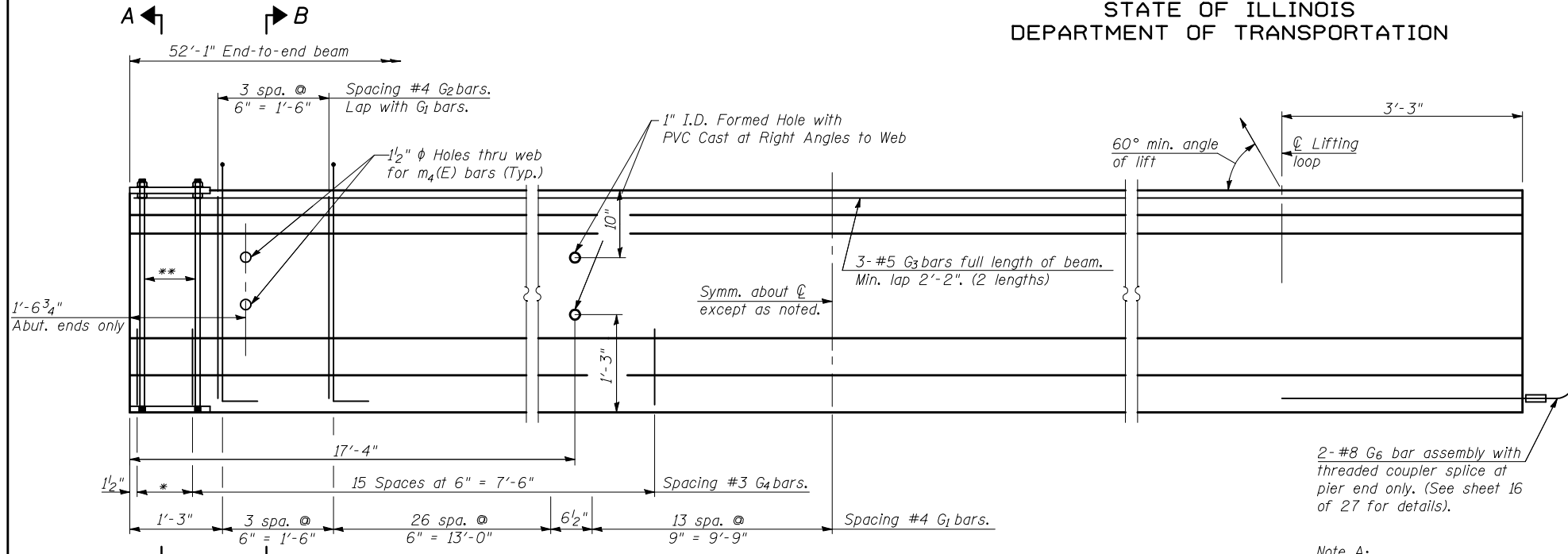


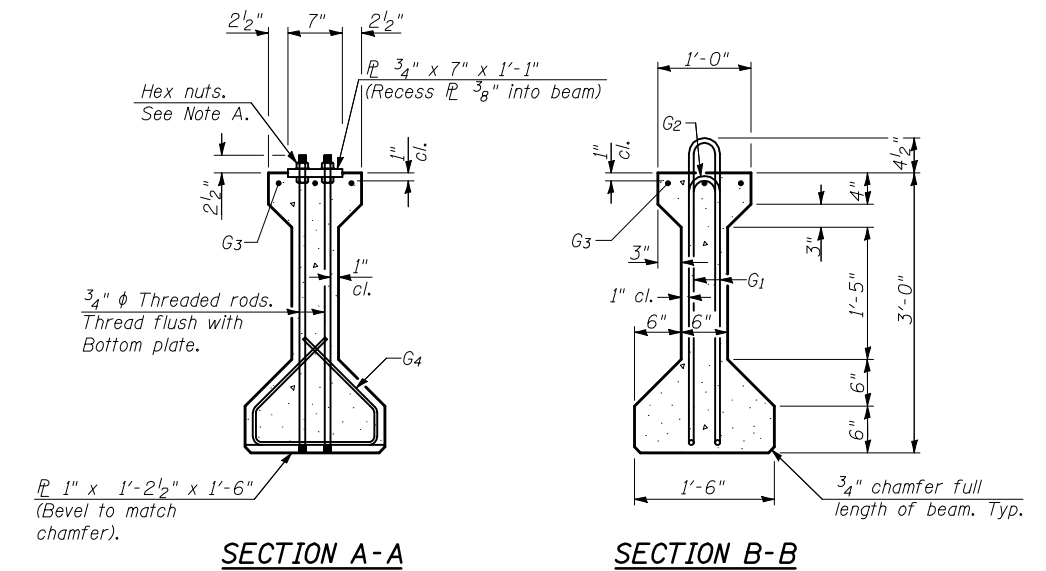
STATE OF ILLINOIS
DEPARTMENT OF TRANSPORTATION



ELEVATION OF BEAM
(Showing reinforcement & dimensions)

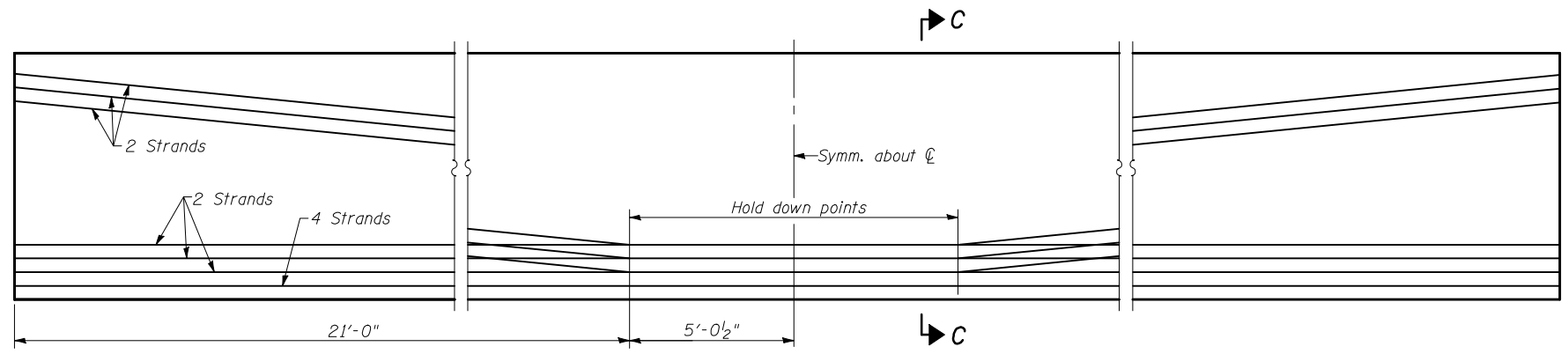
*3 spaces at 3" = 9".
**4-3/4" φ threaded dowel rods at 3" cts., Each Face.

Note A:
Hex nuts (top and bottom) with lock washers (top). Only tighten sufficiently to compress lock washers.

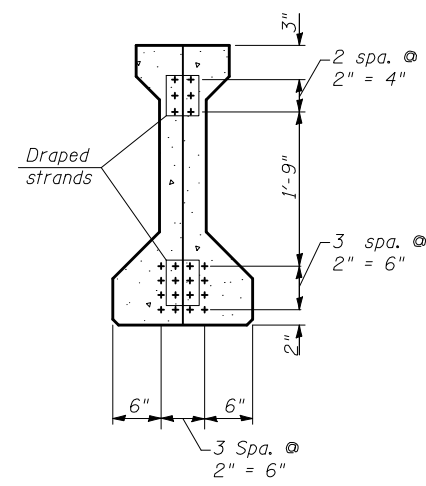


SECTION A-A

SECTION B-B



ELEVATION OF BEAM
(Showing prestressing steel)



SECTION C-C

*****BAR LIST**
ONE BEAM ONLY

Bar	No.	Size	Length	Shape
G1	87	#4	7'-5"	∩
G2	87	#4	5'-8"	∩
G3	6	#5	28'-1"	—
G4	32	#3	4'-1"	⊔
G6	2	#8	6'-6"	⌋

***For information only
Notes:
See sheet 12 of 27 for additional details and Bill of Material.
Required release strength, f'ci, shall be 5,000 psi.
f'c = 6,000 psi

36" PPC I-BEAM A
SPANS 1 & 3
I-74 OVER LITTLE KICKAPOO CREEK
STRUCTURE NO. 057-0120
AND 057-0121

STRAND ASSOCIATES, INC.

DESIGNED	RRD
CHECKED	AJS
DRAWN	KAS
CHECKED	JAR

PI-4-36 5-16-08

SHEET NO. 14 27 SHEETS	F.A.I. RTE. 74	SECTION (57-21B)BR	COUNTY MCLEAN	TOTAL SHEETS 61	SHEET NO. 26
	BEAM DETAILS (1 OF 3)		CONTRACT NO. 70641		
FED. ROAD DIST. NO. 7 ILLINOIS FED. AID PROJECT					