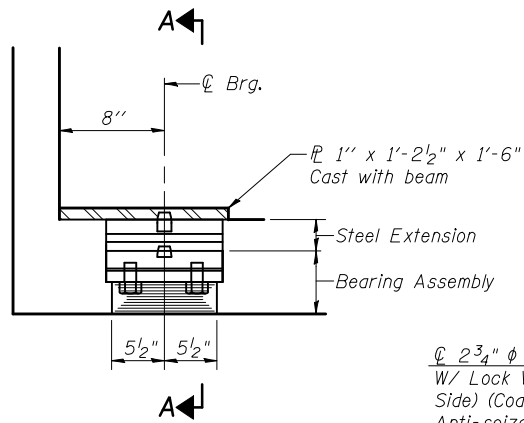
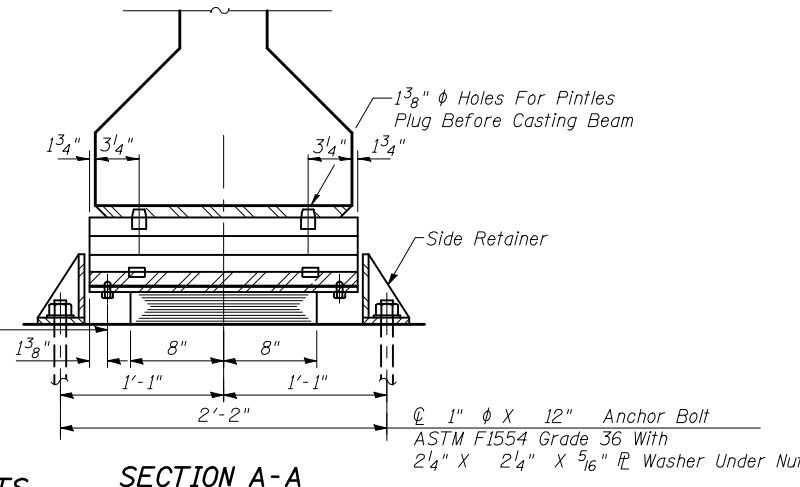


STATE OF ILLINOIS
DEPARTMENT OF TRANSPORTATION

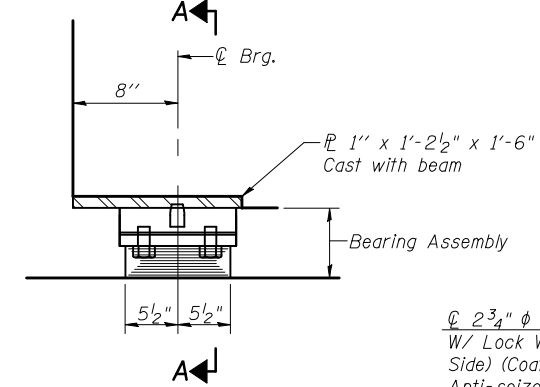


SECTION AT ABUT.

TYPE I ELASTOMERIC EXP. BRG. AT ABUTMENTS

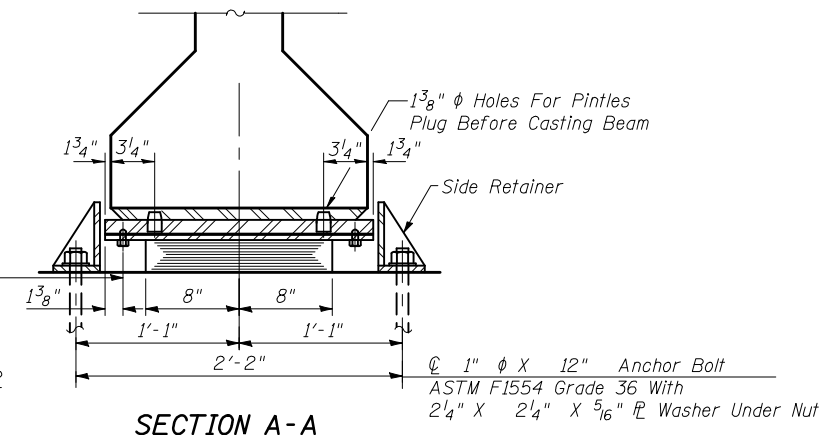


SECTION A-A



SECTION AT PIER

TYPE I ELASTOMERIC EXP. BRG. AT EXPANSION PIER



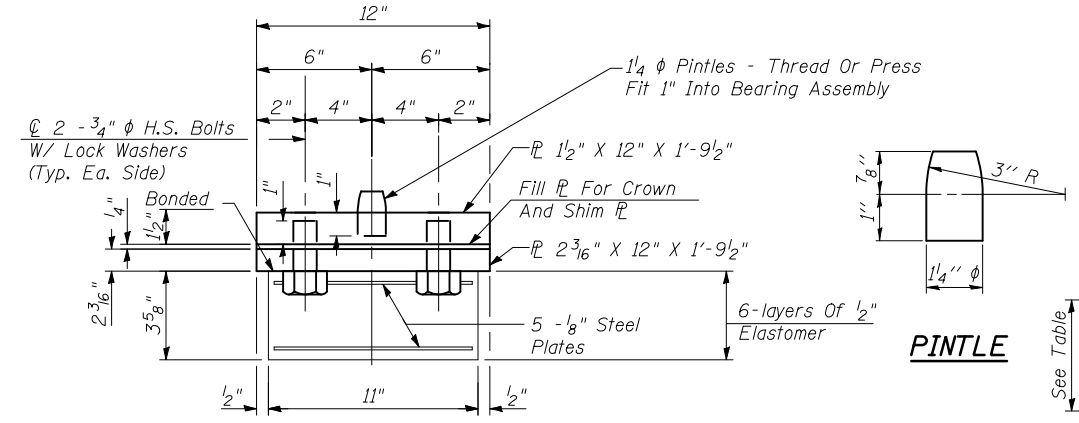
SECTION A-A

Ø 2 3/4" Ø H.S. Bolts
W/ Lock Washers (Typ. Ea. Side) (Coat Bolts With Anti-seize Compound) Tapped Holes In Middle
Ø 7/8" Ø Holes In Bearing Pl

Ø 2 3/4" Ø H.S. Bolts
W/ Lock Washers (Typ. Ea. Side) (Coat Bolts With Anti-seize Compound) Tapped Holes In Middle
Ø 7/8" Ø Holes In Bearing Pl

Ø 1" Ø X 12" Anchor Bolt
ASTM F1554 Grade 36 With
2 1/4" X 2 1/4" X 5/16" Pl Washer Under Nut

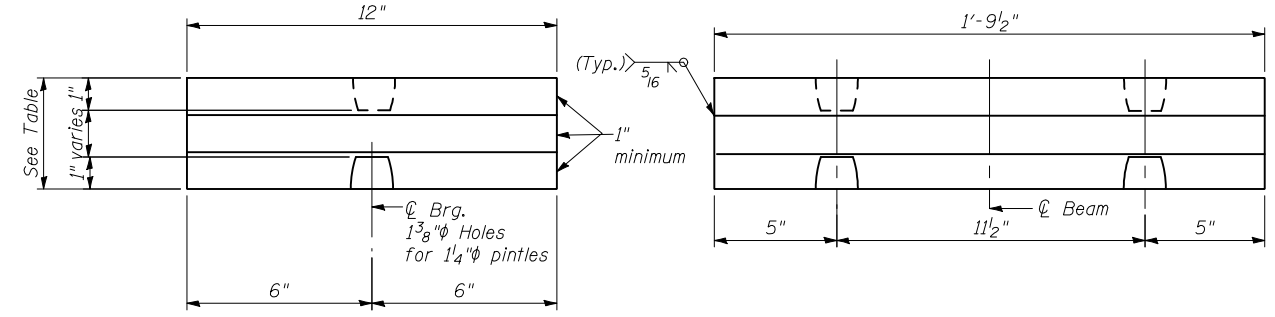
Ø 1" Ø X 12" Anchor Bolt
ASTM F1554 Grade 36 With
2 1/4" X 2 1/4" X 5/16" Pl Washer Under Nut



BEARING ASSEMBLY AT ABUTMENTS AND EXPANSION PIERS

Shim plates shall not be placed under Bearing Assembly.

PINTLE

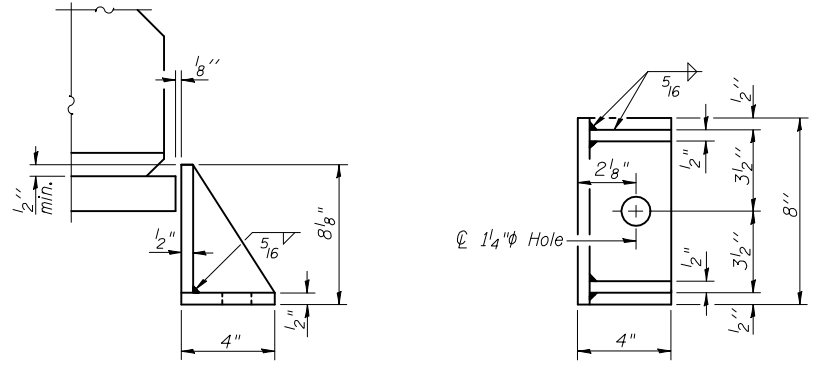


ELEVATION STEEL EXTENSION

END VIEW STEEL EXTENSION

Note:
Prior to ordering any material, the Contractor shall verify in the field all bearing height and shim thickness dimensions.
Cost included in the cost of Elastomeric Bearing Assembly, Type I.

Notes:
Anchor bolts shall be ASTM F1554 all-thread (or an Engineer-approved alternate material) of the grade(s) and diameter(s) specified. ASTM A307 Grade C anchor bolts may be used in lieu of ASTM F1554 Grade 36 (Fy=36ksi). The corresponding specified grade of AASHTO M314 anchor bolts may be used in lieu of ASTM F1554.
Anchor Bolts assemblies shall be galvanized according to Article 1006.09 of the Standard Specification.
Anchor bolts for side retainers may be cast in place or installed in holes drilled after the supporting members are in place and prior to pouring the deck. Drilled and set anchor bolts shall be installed according to Article 521.06 of the Standard Specifications.
Side retainers and other steel members required for the bearing assembly shall be included in the cost of Elastomeric Bearing Assembly, Type I at expansion piers and abutments. Cost of side retainers and other steel members at fixed piers shall be included in the cost of Concrete Structures.
See sheet 16 of 27 for additional details of plate cast with beam.
All embedded and separate bearing plates, side retainers, anchor bolts, nuts, washers, steel extensions and pintles shall be galvanized according to AASHTO M111 or M232 (as applicable).
H.S. bolts in bearing assembly shall be galvanized according to AASHTO M298 Class 50.
See sheet 11 of 27 for fixed pier side retainer and details.



SIDE RETAINER AT ABUTMENTS AND EXPANSION PIERS

Equivalent rolled angle with stiffeners will be allowed in lieu of welded plates.

BILL OF MATERIAL

Item	Unit	Total
Elastomeric Bearing Assembly, Type I	EACH	48
Anchor Bolts, 1"	EACH	96
Anchor Bolts, 1/2"	EACH	8

BEARING DETAILS
AT ABUTMENT & EXPANSION PIERS
I-74 OVER LITTLE KICKAPOO CREEK
STRUCTURE NO. 057-0120
AND 057-0121

STRAND ASSOCIATES, INC.

	West Bound	
	West Abut	East Abut
Beam 1	3 5/8"	3 3/8"
Beam 2	3 5/8"	3 3/8"
Beam 3	3 5/8"	3"
Beam 4	3 1/2"	3 1/4"
Beam 5	3 1/4"	3 3/8"
Beam 6	3 3/8"	3 1/4"

	East Bound	
	West Abut	East Abut
Beam 1	3 1/2"	3"
Beam 2	3 3/8"	3"
Beam 3	3 3/8"	3"
Beam 4	3"	3"
Beam 5	3 1/8"	3"
Beam 6	3"	3"

DESIGNED	RRD
CHECKED	AJS
DRAWN	KAS
CHECKED	JAR

SHEET NO. 17	F.A.I. RTE.	SECTION	COUNTY	TOTAL SHEETS	SHEET NO.
27 SHEETS			BEARING DETAILS		
			CONTRACT NO. 70641		
FED. ROAD DIST. NO. 7 ILLINOIS FED. AID PROJECT					