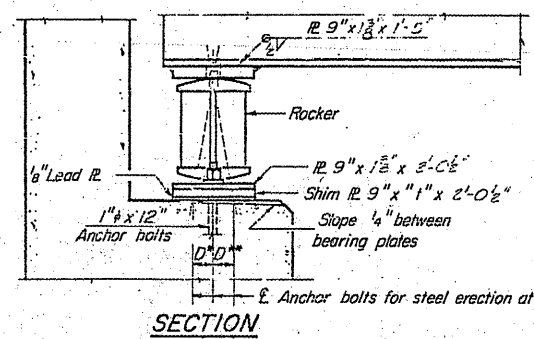


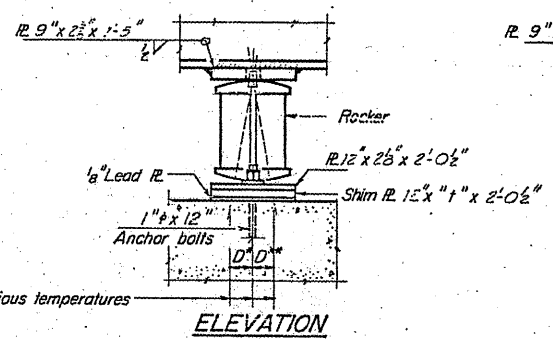
STATE OF ILLINOIS  
DEPARTMENT OF PUBLIC WORKS & BUILDINGS  
DIVISION OF HIGHWAYS

015

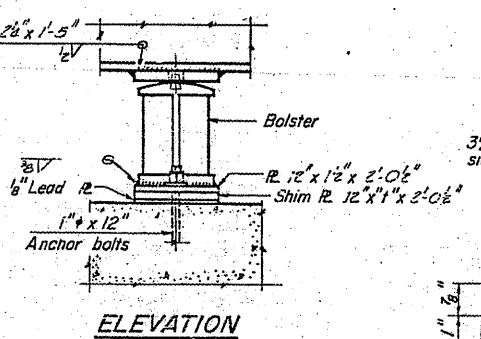
PROJECT NO.	SECTION	LOWEST	SHEET NO.	TOTAL SHEETS
...	B4-4	SANGAMON	57	19
...	3HB-1			15 SHEETS
FILE NAME	DATE	FILE JOB	PROJECT	



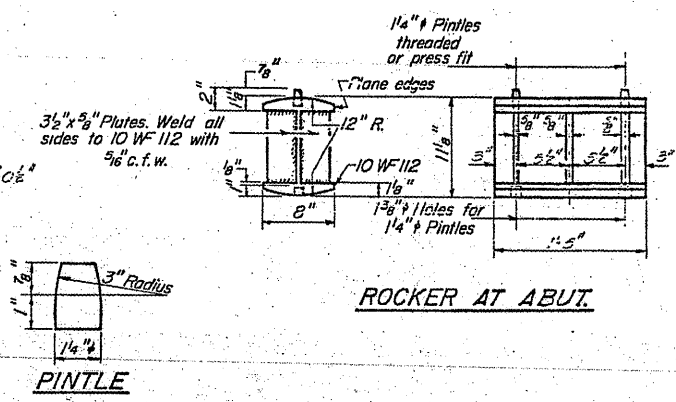
SECTION



ELEVATION

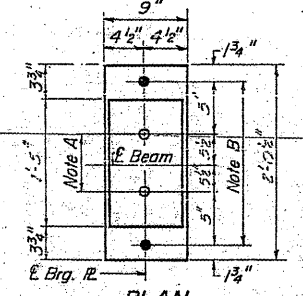


ELEVATION



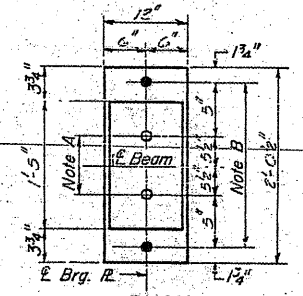
ROCKER AT ABUT.

PINTLE



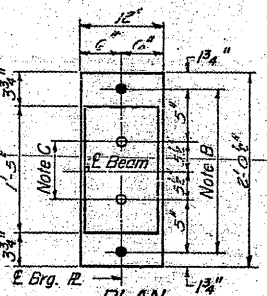
PLAN AT ABUTMENT

NOTE A  
1 3/8" Holes - 1" deep in top IR for pintles. Thread or press fit pintles into bottom IR.



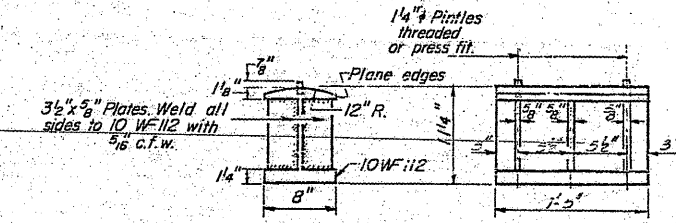
PLAN AT PIER 1

NOTE B  
1 1/2" Holes for 1" anchor bolts. 2 1/2" x 2 1/2" x 3/16" IR. Washers under nut.



PLAN AT PIER 2

NOTE C  
1 3/8" Holes - 1" deep in top IR only for 1 1/4" pintles.



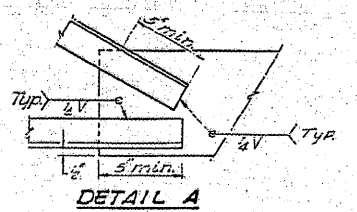
BOLSTER AT PIERS

NOTES ON SETTING OF ANCHOR BOLTS AT EXP. BRGS.

- a) D\* (Side of brg. away from fixed brg.)  
D\*\* 1/8" per each 100" of expansion for every 15° fall below the normal temp. of 50°F.
- D\*\* (Side of brg. toward fixed brg.)  
D\*\* 1/8" per each 100" of expansion for every 15° rise above the normal temp. of 50°F.

- b) After beams have been erected and dimensions D\* or D\*\* determined, holes shall be drilled and anchor bolts shall be grouted in place. All fixed anchor bolts may be built into the masonry.

BEARING ASSEMBLY DETAILS



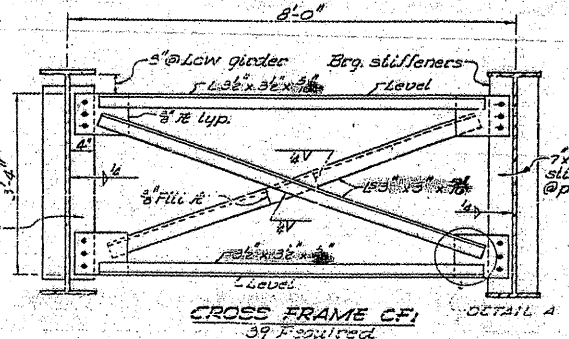
DETAIL A

ELEVATION TOP OF WEB  
For section only

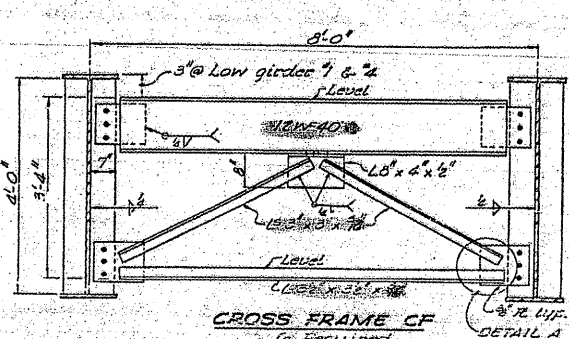
Loc. Girder	1 E 4	2 E 3
6 Bro. W. Abut.	622.35	622.45
4 Field Sp. 1	623.01	623.11
6 Bro. Sp. 1	623.12	623.22
5 Field Sp. 2	623.27	623.37
5 Br. P. 2	623.39	623.50
4 Field Sp. 3	623.44	623.54
5 Br. Sp. 2	623.08	623.18

Weight of structural steel listed on sheet #7  
The vertical surfaces of field splices shall be free of all oil and paint.

Work this sheet with sheet #8  
See sheet #2 for Stress Table & Section Properties.



CROSS FRAME CF  
39 I-Required



CROSS FRAME CF  
6 Required

CROSS FRAMES AND BEARING DETAILS  
F.A.I. RT. 55 SEC. 84-A-3HB-1  
SANGAMON COUNTY  
STATION 304+01.58 (F.A.I. RT. 55)

DESIGNED	A. D. Hummel	EXAMINED	Mar 3 1963
CHECKED	L. M. Barnett	PASSED	W. H. Barnett
DRAWN	P. C. Barnett	APPROVED	R. L. Barnett
CHECKED	L. M. Barnett		

I-2-B 9-1-65

FOR INFORMATION ONLY

EXISTING PLANS, SN 084-0115  
FAI 55 (I-55)  
D-6 REHAB BDGE PAINTING 2009  
SANGAMON COUNTY