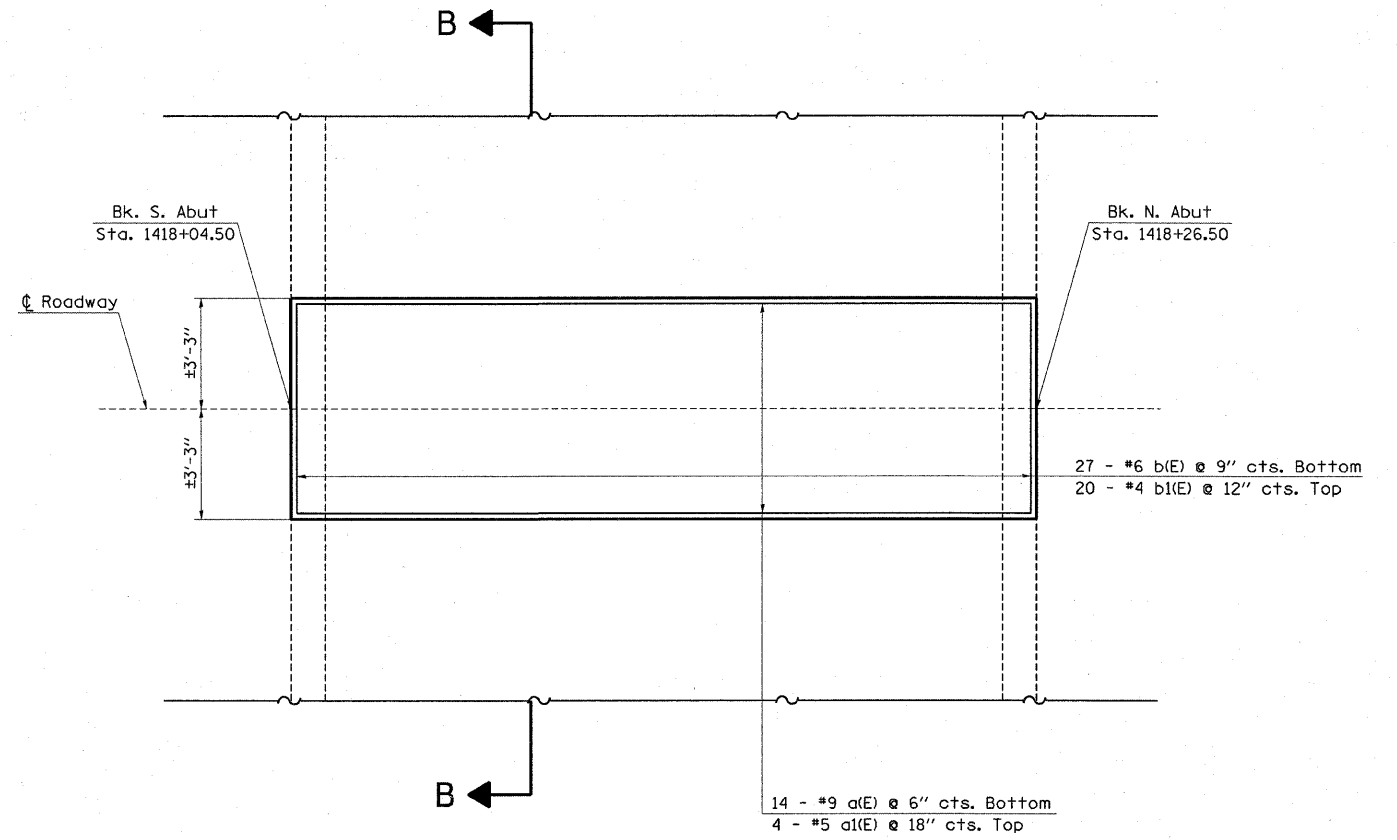
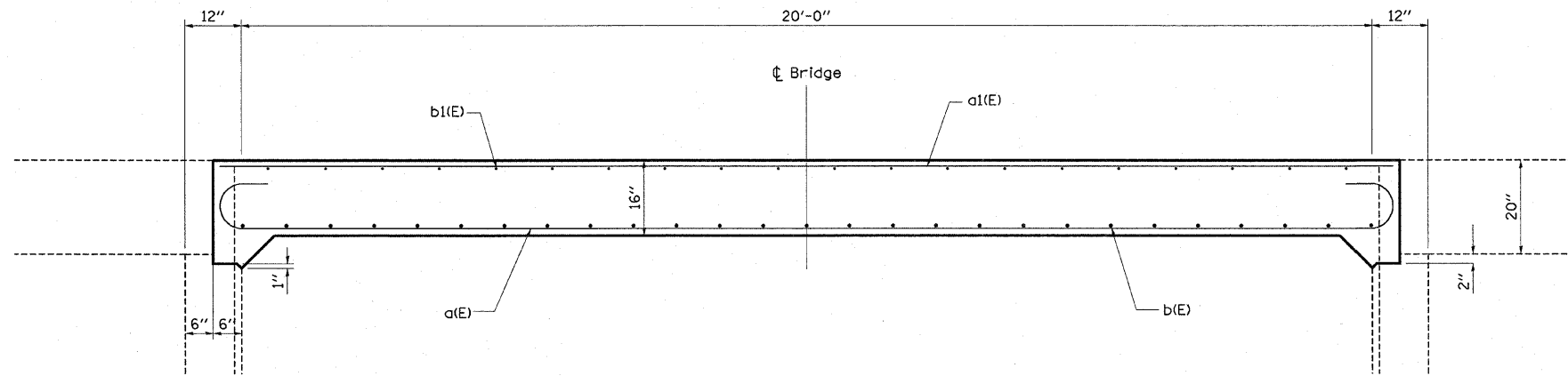


EXISTING PARTIAL PLAN



PROPOSED PARTIAL PLAN



LONGITUDINAL SECTION

FILE NAME =	USER NAME = stef fennk	DESIGNED -	REVISED -
ct:\pw_work\FWIDOT\STEFFENMK\d8126049\p	anpropbr_74157.dgn	DRAWN -	REVISED -
	PLT SCALE = 28.0000' / IN.	CHECKED -	REVISED -
	PLT DATE = 2/9/2009	DATE -	REVISED -

**STATE OF ILLINOIS  
DEPARTMENT OF TRANSPORTATION**

**CENTERLINE JOINT REPLACEMENT DETAILS  
SN. 015-0025**

SCALE: N/A SHEET NO. 3 OF 6 SHEETS STA. TO STA.

F.A.P. RTE.	SECTION	COUNTY	TOTAL SHEETS	SHEET NO.
824	(16-2,19X-2)MS-1,19B,19BR	Coles	49	45
FED. ROAD DIST. NO. [ILLINOIS] FED. AID PROJECT			CONTRACT NO. 74157	

SHEET NO. 3  
6 SHEETS