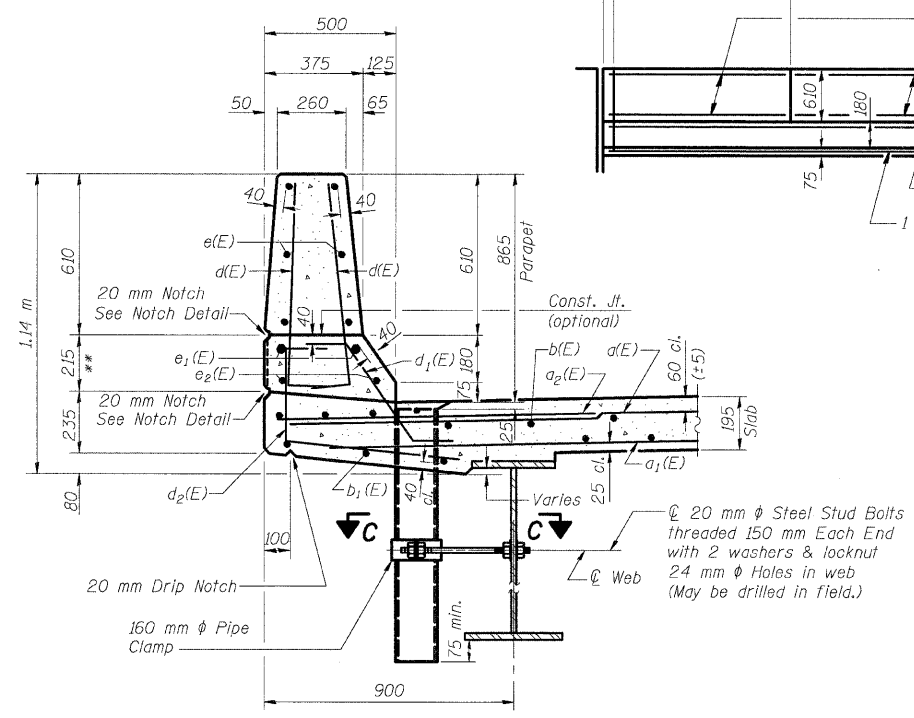
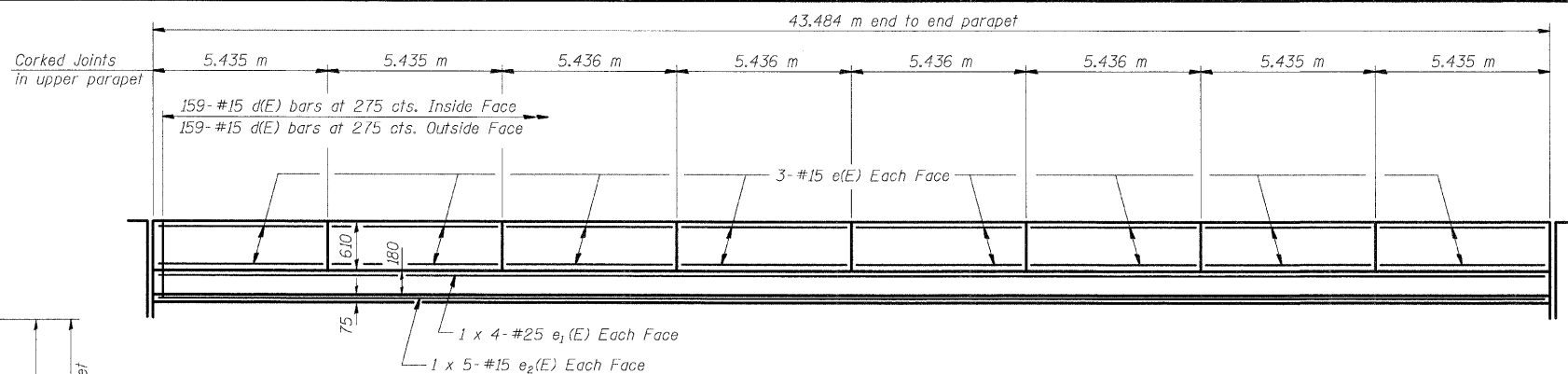


12/17/2007 1:36:54 PM
 e:\00f1\es\020024\dl1111\bridge-plans\060-0330\superstructure.dgn

ROUTE NO.	SECTION	COUNTY	SHEETS	SHEET	SHEET NO.
F.A.P. 310	*	MADISON	272	107	6
FED. ROAD DIST. NO. 7		ILLINOIS	FED. AID PROJECT		24 SHEETS
* 60-15HB-2 CONTRACT NO. 76624					

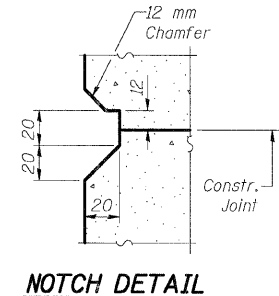


SECTION THRU PARAPET

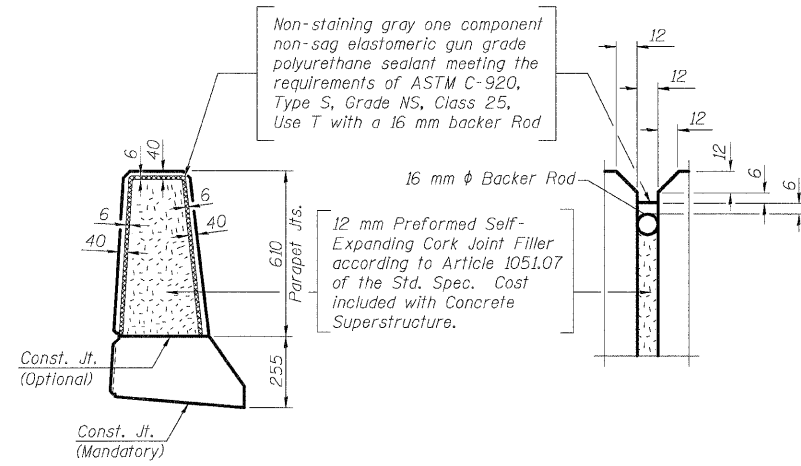
** Patterned Rope Texture Concrete.
 See Sheet 19 of 24 for details.

INSIDE ELEVATION OF PARAPET

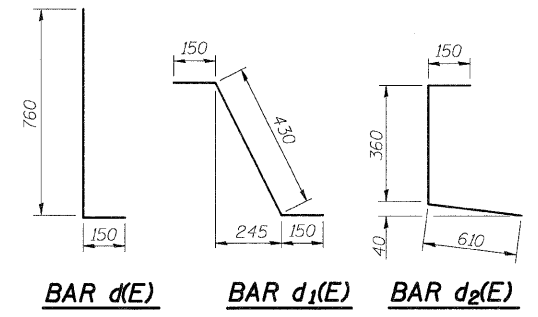
Min. Bar Lap
 #15-640
 #25-1.32 m



NOTCH DETAIL



PARAPET JOINT DETAILS

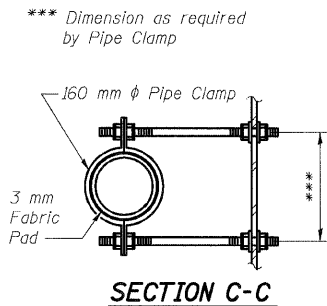


BAR d(E) BAR d1(E) BAR d2(E)

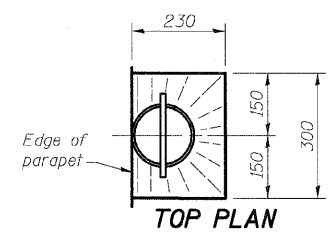
**TWO SUPERSTRUCTURES
 BILL OF MATERIAL**

Bar	No.	Size	Length (m)	Shape
d(E)	544	#15	12.80	—
d1(E)	396	#15	12.60	—
d2(E)	544	#20	1.20	—
b(E)	460	#15	9.20	—
b1(E)	492	#15	7.80	—
d(E)	1272	#15	0.91	┌
d1(E)	636	#15	0.73	└
d2(E)	636	#15	1.12	└
e(E)	192	#15	5.35	—
e1(E)	32	#25	11.90	—
e2(E)	40	#15	9.20	—
Reinforcement Bars, Epoxy Coated		kg	40,320	
Concrete Superstructure		m ³	287.6	
Floor Drains		Each	8	
Bridge Deck Grooving		m ²	1041	
Protective Coat		m ²	1244	
Form Liner		m ²	37	
Textured Surface				

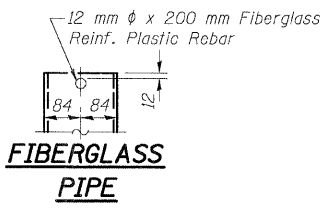
Bars indicated thus 1 x 5-#15 etc. indicates 1 line of bars with 5 lengths per line.



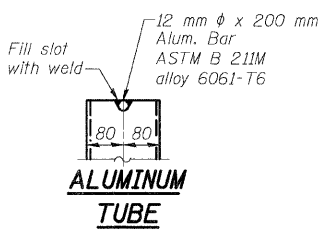
SECTION C-C



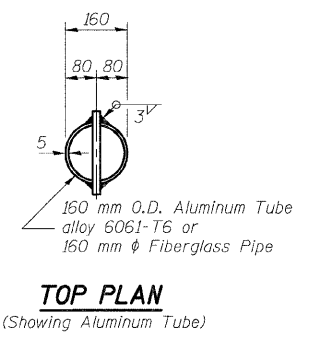
TOP PLAN



FIBERGLASS PIPE



ALUMINUM TUBE



**TOP PLAN
 (Showing Aluminum Tube)**

DESIGNED	ADL
CHECKED	WLW
DRAWN	ADL/DGM
CHECKED	WLW

Notes:
 The exterior surfaces of the floor drains shall be painted with the finish coat as specified in the special provisions for Cleaning and Painting New Metal Structures. The exterior surfaces of the drains shall be cleaned according to Steel Structures Painting Council's Spec. SSPC-SP1 prior to painting.
 Fiberglass pipe shall conform to ASTM D 2996, with short-time rupture strength hoop tensile stress of 200 MPa minimum.

**SUPERSTRUCTURE DETAILS
 FAP RTE. 310 (IL RTE. 255) OVER
 IL RTE 111
 SECTION 60-15HB-2
 MADISON COUNTY
 STATION 39+914.647
 SN 060-0330 (NB) & 060-0331 (SB)**