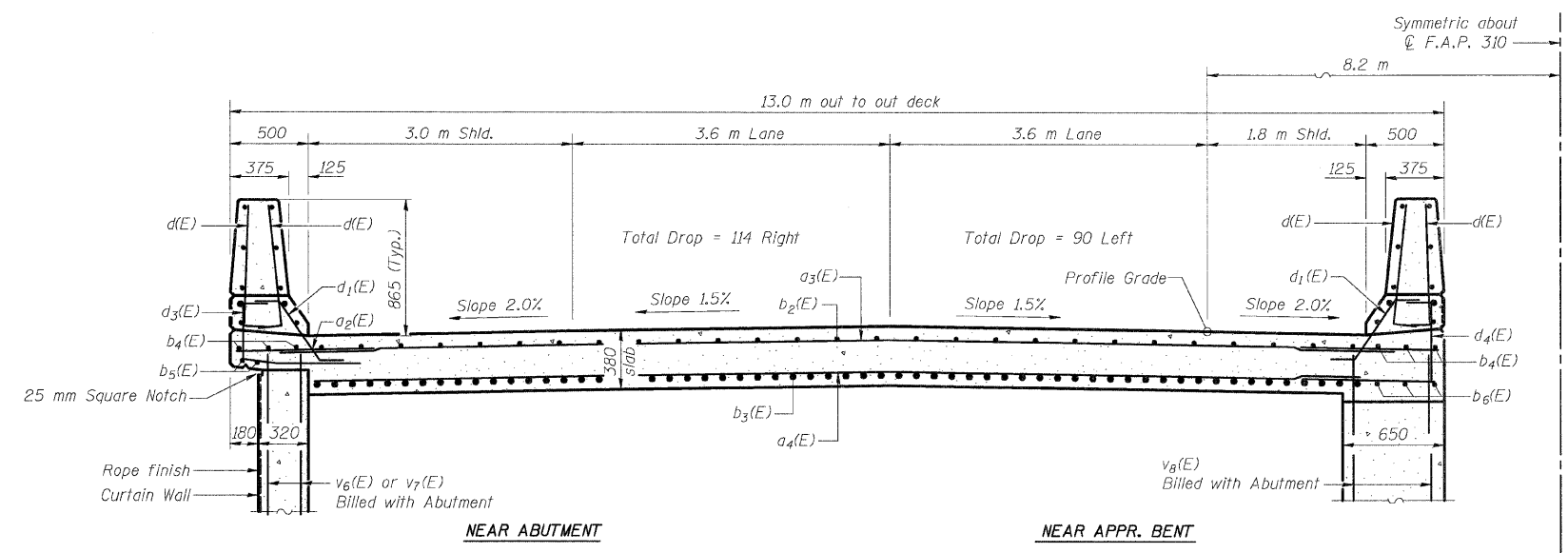


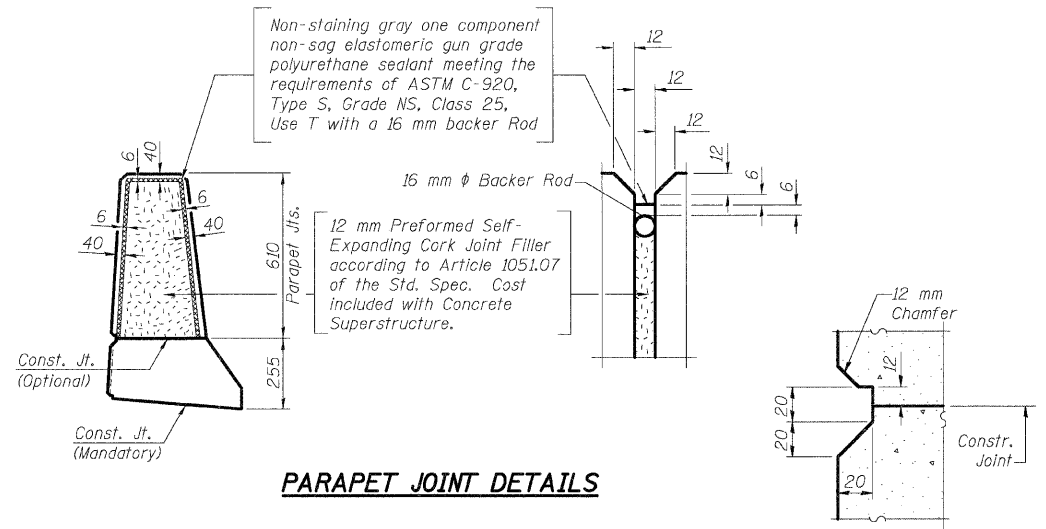
12/17/2007 1:35:29 PM p:\00Files\000202\at1111\br-edge-plans\060-0330\appr\ab.dgn

ROUTE NO.	SECTION	COUNTY	TOTAL SHEETS	SHEET NO.	SHEET NO.
R. & L.	F.A.P.				
310	*	MADISON	272	111	24 SHEETS
FED. ROAD DIST. NO. 7 ILLINOIS FED. AID PROJECT					
* 60-15HB-2 CONTRACT NO. 76624					



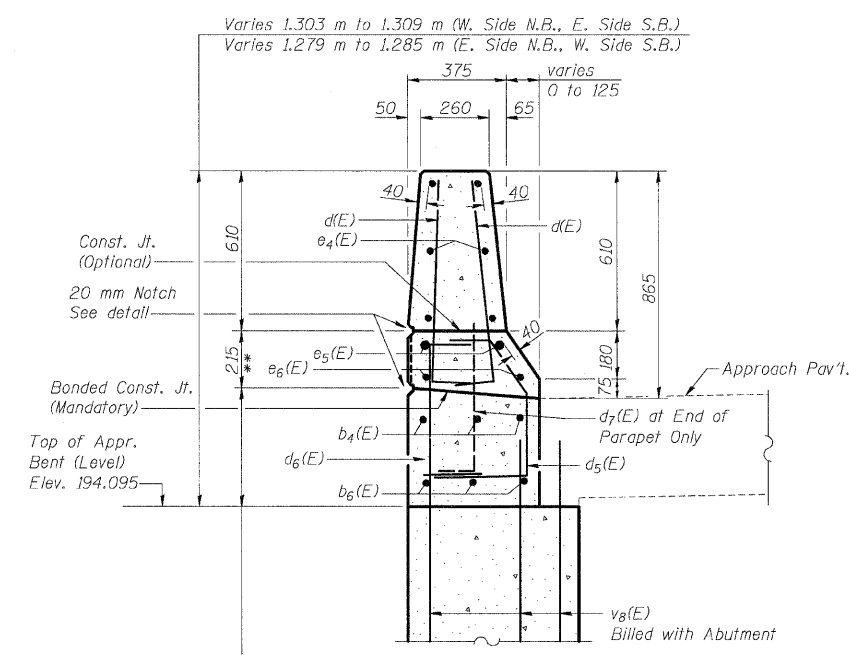
**CROSS SECTION**  
(Looking South)

(N.B. Structure shown, S.B. structure the same, but opposite hand).

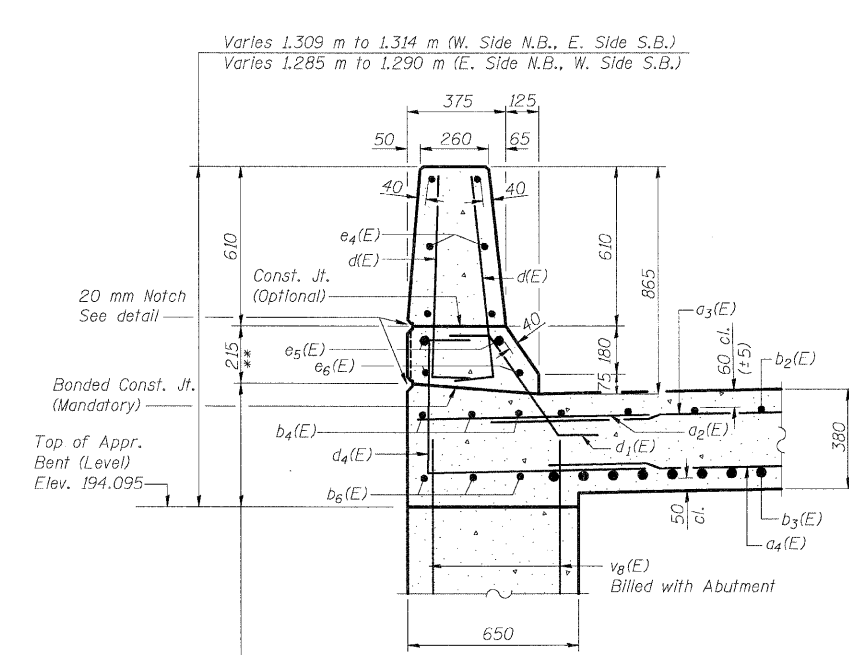


**PARAPET JOINT DETAILS**

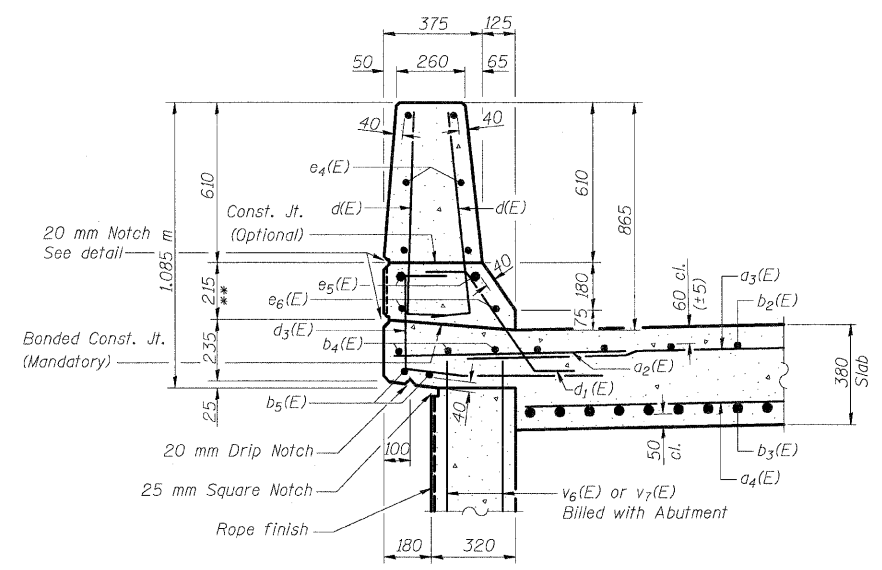
**NOTCH DETAIL**



**SECTION THRU PARAPET (SECTION D-D)**



**SECTION THRU PARAPET (SECTION F-F)**



**SECTION THRU PARAPET (SECTION E-E)**

DESIGNED	ADL
CHECKED	WLW
DRAWN	ADL/DGM
CHECKED	WLW

Note:  
Work this sheet with sheet 9 of 24.

\*\* Patterned Rope Texture Concrete.  
See Sheet 19 of 24 for details.

**NORTH APPROACH SLABS (2 OF 2)**  
**FAP RTE. 310 (IL RTE. 255) OVER**  
**IL RTE 111**  
**SECTION 60-15HB-2**  
**MADISON COUNTY**  
**STATION 39+914.647**  
**SN 060-0330 (NB) & 060-0331 (SB)**