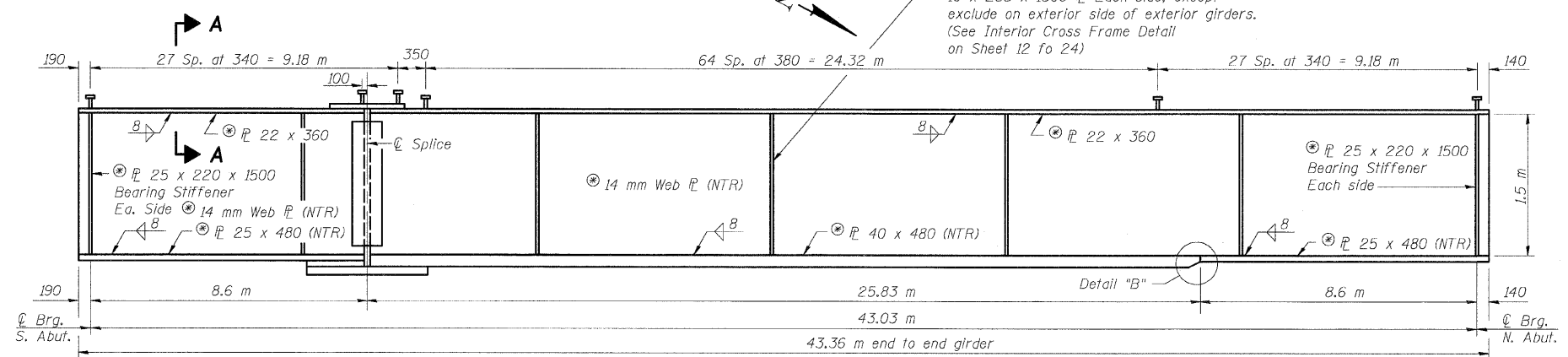
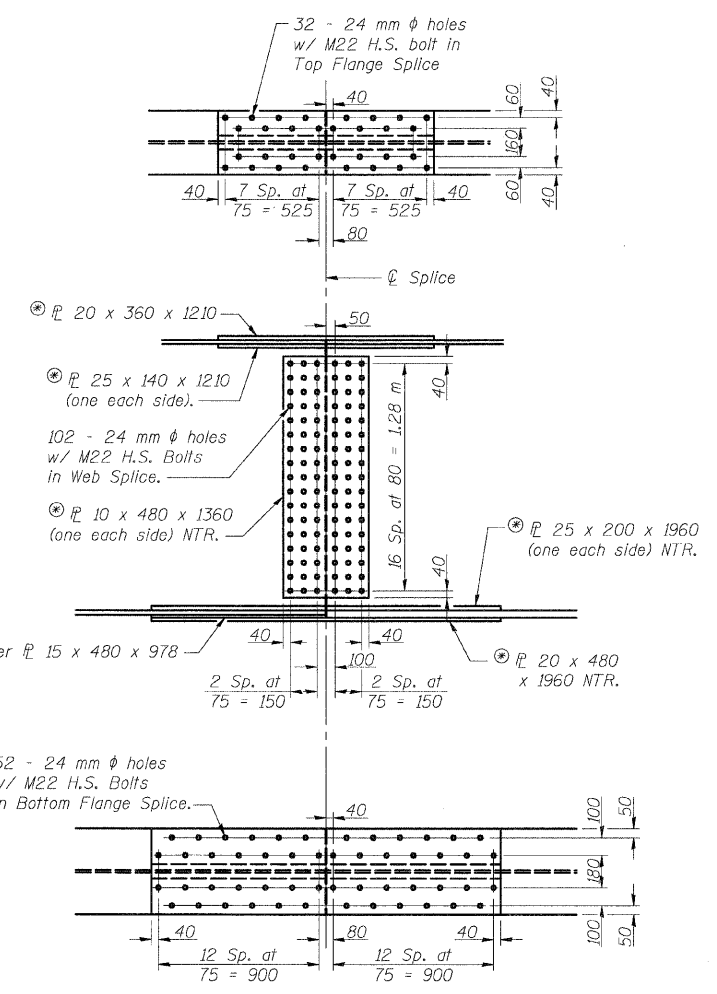
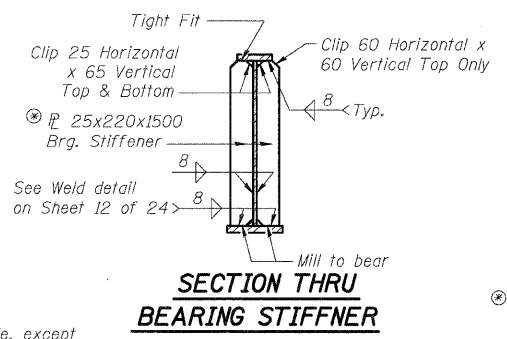
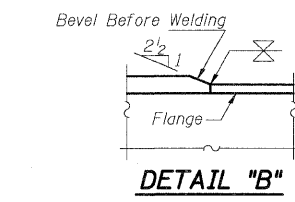
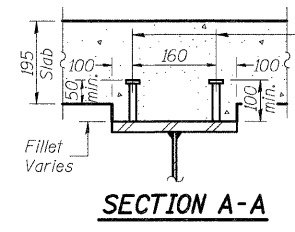
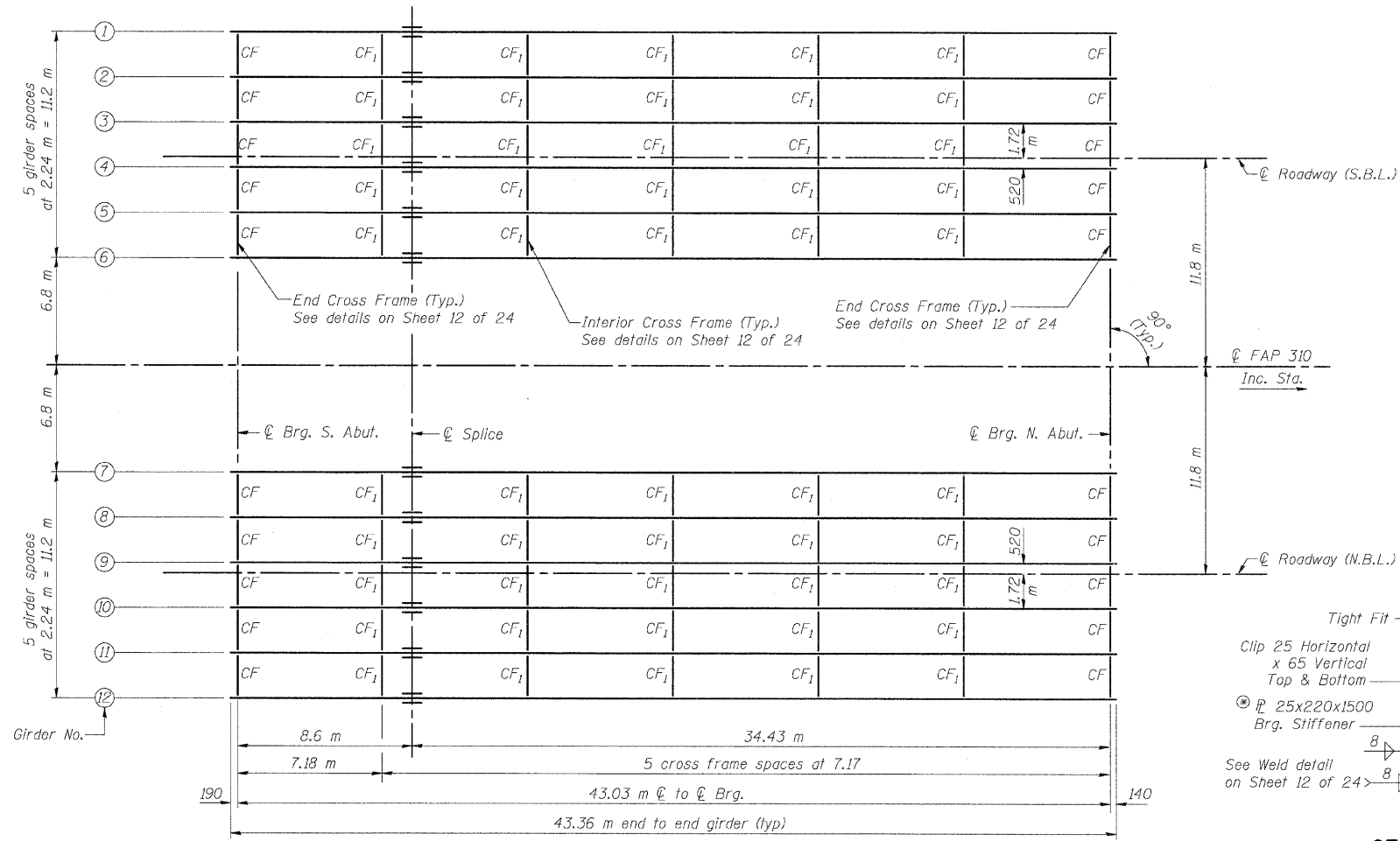


12/7/2007 1:40:19 PM

p:\2007\les\060024\dl\111\brdige.plans\060-0330\girder.edg

ROUTE NO.	SECTION	COUNTY	TOTAL SHEETS	SHEET NO.
S.D.L.	F.A.P.	MADISON	272	112
FED. ROAD DIST. NO. 7	ILLINOIS	FED. AID PROJECT		

\* 60-15HB-2 CONTRACT NO. 76624



**GIRDER ELEVATION**  
"NTR" denotes plates to which notch toughness requirements are applicable.

⊙ Indicates structural steel conforming to AASHTO M270M Grade 345

**TOP OF WEB ELEVATIONS**  
(For Fabrication Only)

	Girder #1	Girder #2	Girder #3	Girder #4	Girder #5	Girder #6	Girder #7	Girder #8	Girder #9	Girder #10	Girder #11	Girder #12
⊙ Brg. S. Abut.	194.329	194.374	194.409	194.427	194.394	194.353	194.353	194.394	194.427	194.409	194.374	194.329
⊙ Splice	194.423	194.468	194.503	194.521	194.488	194.447	194.447	194.488	194.521	194.503	194.468	194.423
⊙ Brg. N. Abut.	194.306	194.351	194.386	194.404	194.371	194.330	194.330	194.371	194.404	194.386	194.351	194.306

\*\* Theoretical elevation before Dead Load Deflection.

Notes:  
Work this sheet with sheet 12 of 24.

**FRAMING PLANS & GIRDER DETAILS**  
FAP RTE. 310 (IL RTE. 255) OVER  
IL RTE 111  
SECTION 60-15HB-2  
MADISON COUNTY  
STATION 39+914.647  
SN 060-0330 (NB) & 060-0331 (SB)