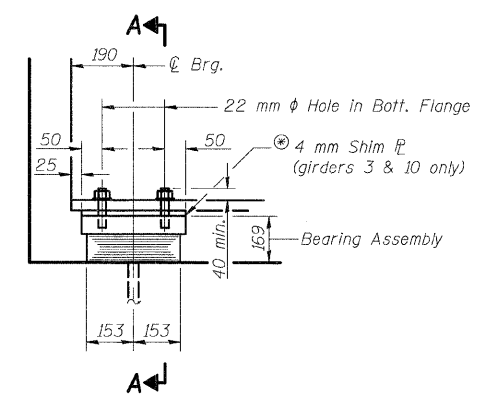


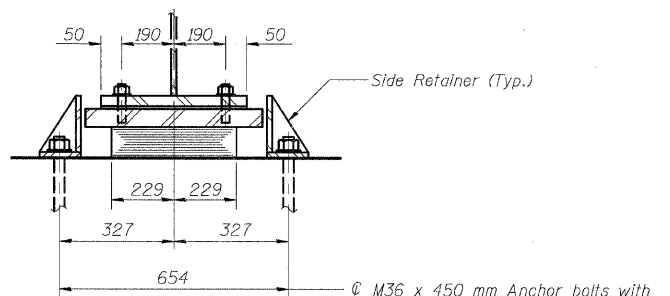
12/7/2007 14:01:19 PM

P:\001\1es\00022\A\1111\br ridge-plans\060-0330\girder.dgn

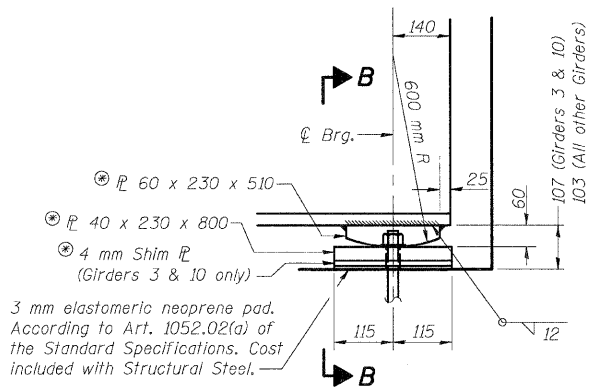
ROUTE NO.	SECTION	COUNTY	TOTAL SHEETS	SHEET NO.
F.A.P. 310	*	MADISON	272	114
FED. ROAD DIST. NO. 7 ILLINOIS FED. AID PROJECT				
* 60-15HB-2 CONTRACT NO. 76624				



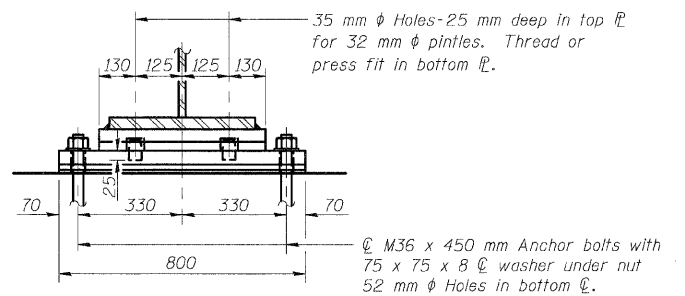
ELEVATION AT S. ABUT.



SECTION A-A

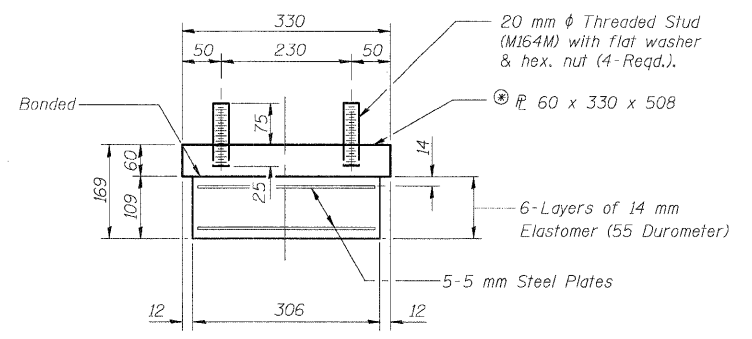


ELEVATION AT N. ABUT.



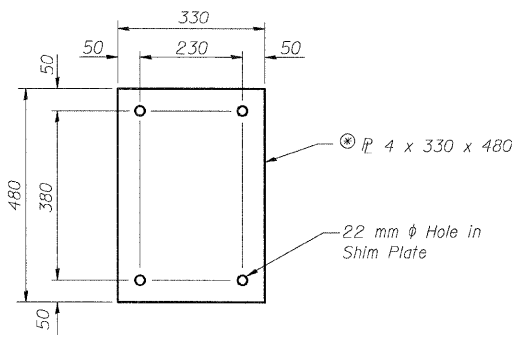
SECTION B-B

TYPE I ELASTOMERIC EXP. BRG.



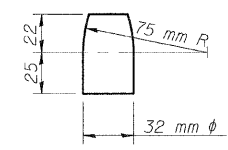
BEARING ASSEMBLY

Note: Shim plates shall not be placed under Bearing Assembly.



4 mm SHIM PLATE

(2-Req'd)
Note: Use as shown in Type I Elastomeric Brg. under girders 3 & 10.

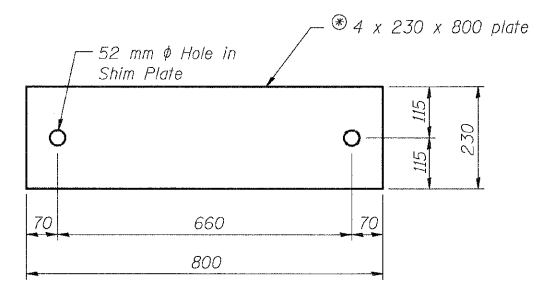


PINTLE

(24-Req'd)

FIXED BEARING

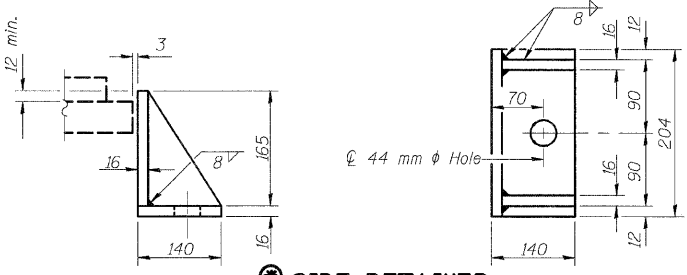
(12-Req'd)



4 mm SHIM PLATE

(2-Req'd)
Note: Use as shown with Fixed Bearing under Girders 3 & 10.

Notes: Anchor bolts at fixed bearings may be built into the masonry. See sheet 21 of 24 for Anchor Bolt Installation.



SIDE RETAINER

Equivalent rolled angle with stiffeners will be allowed in lieu of welded plates. Weight included with Structural Steel. (24 Req'd)

Steel plates shall conform to the requirements of AASHTO M270M Grade 345.

DESIGNED	ADL
CHECKED	WLW
DRAWN	ADL/DGM
CHECKED	WLW

I-2-E1 (M) 4-30-99

BILL OF MATERIAL

Item	Unit	Total
Elastomeric Bearing Assembly Type I	Each	12

BEARING DETAILS
FAP RTE. 310 (IL RTE. 255) OVER
IL RTE 111
SECTION 60-15HB-2
MADISON COUNTY
STATION 39+914.647
SN 060-0330 (NB) & 060-0331 (SB)

Klingner & Assoc., P.C.