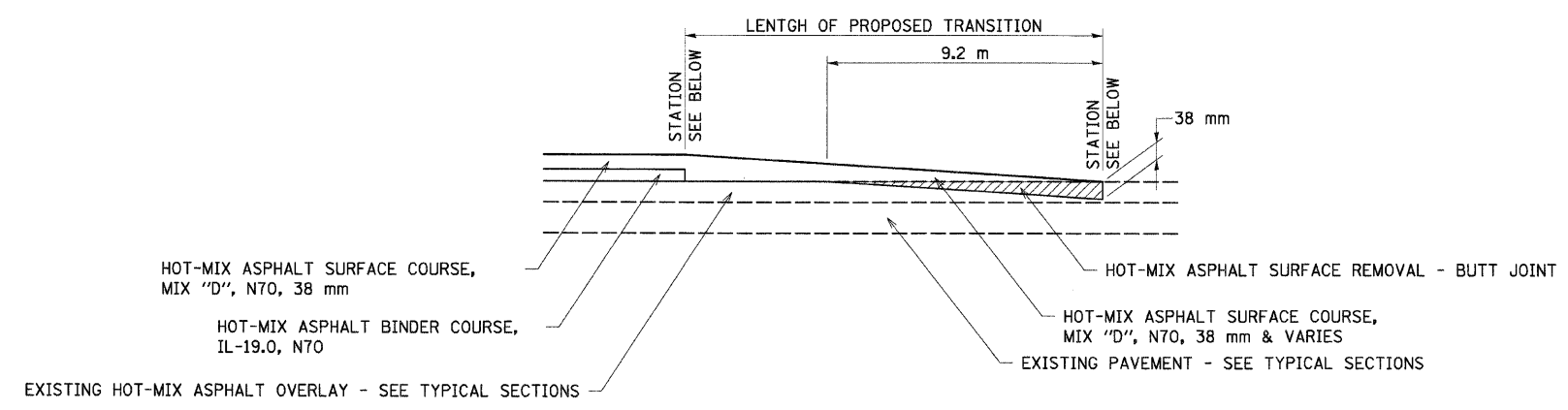
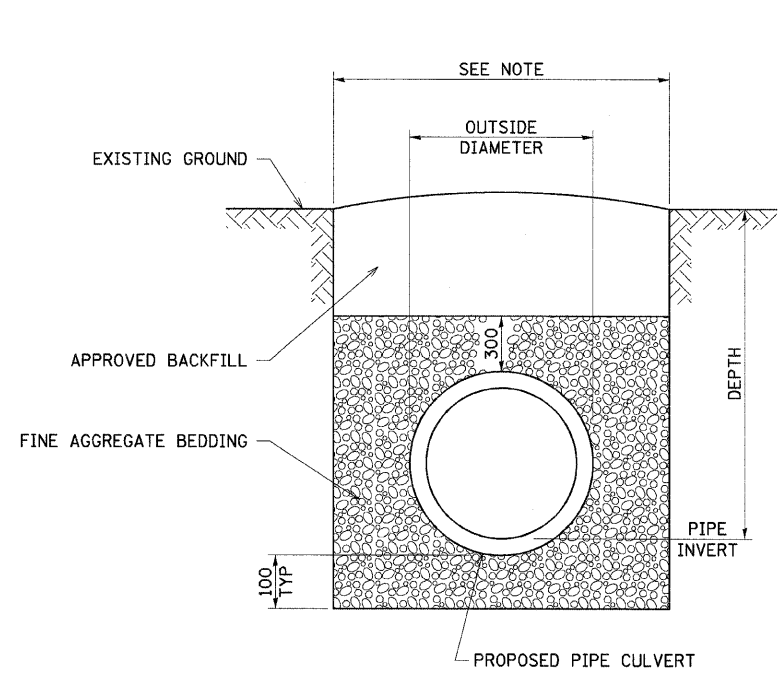


F.A.P. RTE.	SECTION	COUNTY	TOTAL SHEETS	SHEET NO.
310	60-15-2 60-15HB-2	MADISON	272	151
STA.		TO STA.		
FED. ROAD DIST. NO.		ILLINOIS FED. AID PROJECT		
CONTRACT NO. 76624				

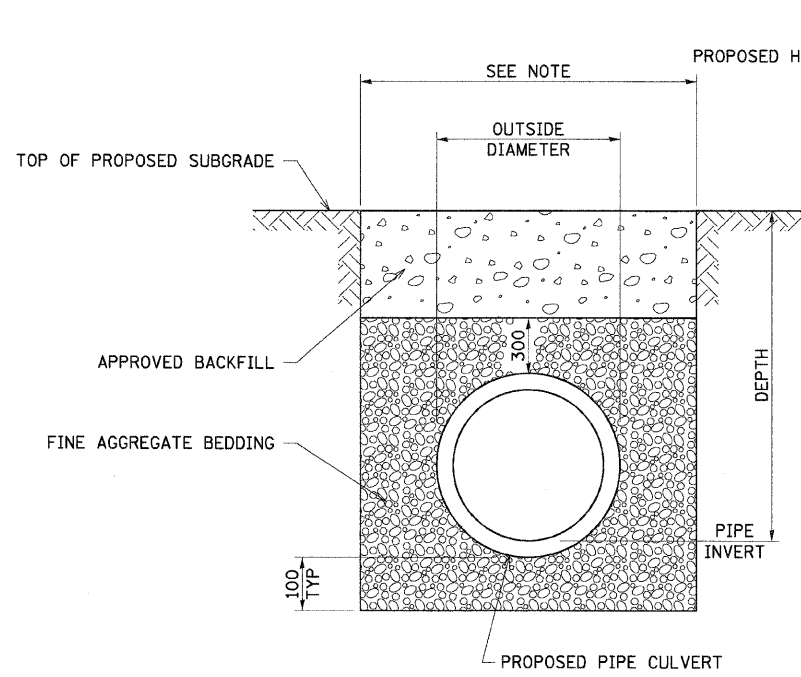


PROPOSED PAVEMENT TRANSITION DETAIL
NOT TO SCALE

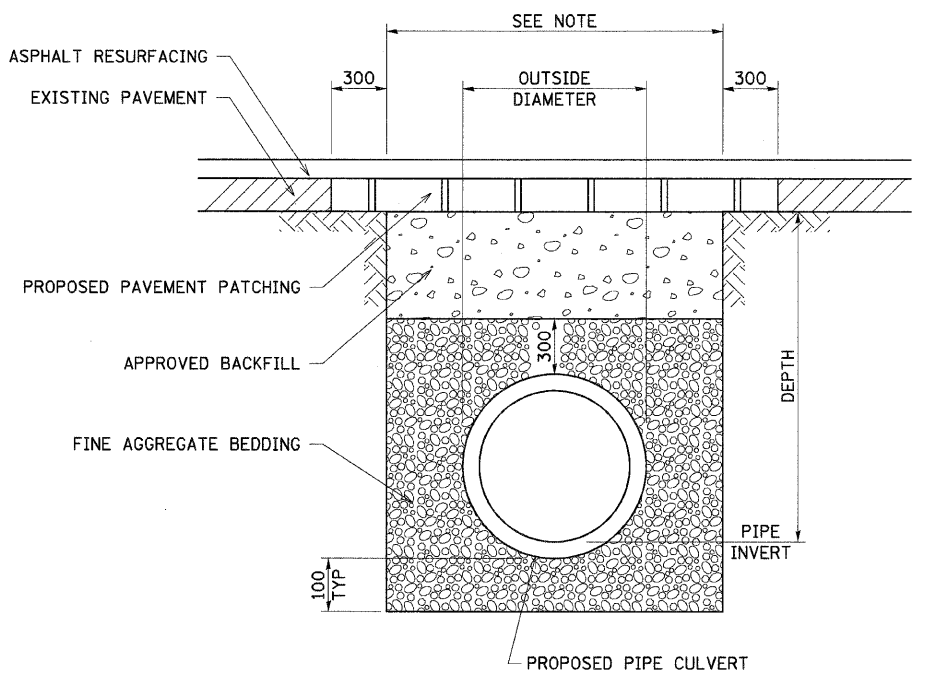
STATION 29+808.458 TO STATION 29+828.458 RT SIDE OF MEDIAN
STATION 29+813.458 TO STATION 29+828.458 LT SIDE OF MEDIAN
STATION 30+570.000 TO STATION 30+600.000



DETAIL OF TRENCH EXCAVATION AND BACKFILL UNDER EXISTING GROUND



DETAIL OF TRENCH EXCAVATION AND BACKFILL UNDER PROPOSED ROADWAY PAVEMENT AND ENTRANCES



DETAIL OF TRENCH EXCAVATION, PAVEMENT REMOVAL, PAVEMENT PATCHING, AND BACKFILL UNDER EXISTING PAVEMENT

NOTE:
WIDTH = OUTSIDE DIAMETER + 225 mm + 225 mm WHEN PIPE DIAMETER IS LESS THAN OR EQUAL TO 600 mm
WIDTH = OUTSIDE DIAMETER + 300 mm + 300 mm WHEN PIPE DIAMETER IS GREATER THAN 600 mm AND LESS THAN 1200 mm
WIDTH = OUTSIDE DIAMETER + 450 mm + 450 mm WHEN PIPE DIAMETER IS GREATER THAN 1200 mm

REVISIONS	
NAME	DATE

ILLINOIS DEPARTMENT OF TRANSPORTATION
MISCELLANEOUS DETAILS
FAP 310 (IL 255)
SECTION 60-15-2 & 60-15HB-2
MADISON COUNTY
DRAWN BY EBB
CHECKED BY
DATE

12/7/2007

p:\00files\000024\d1111\detailed\miscellaneous-details.dgn