

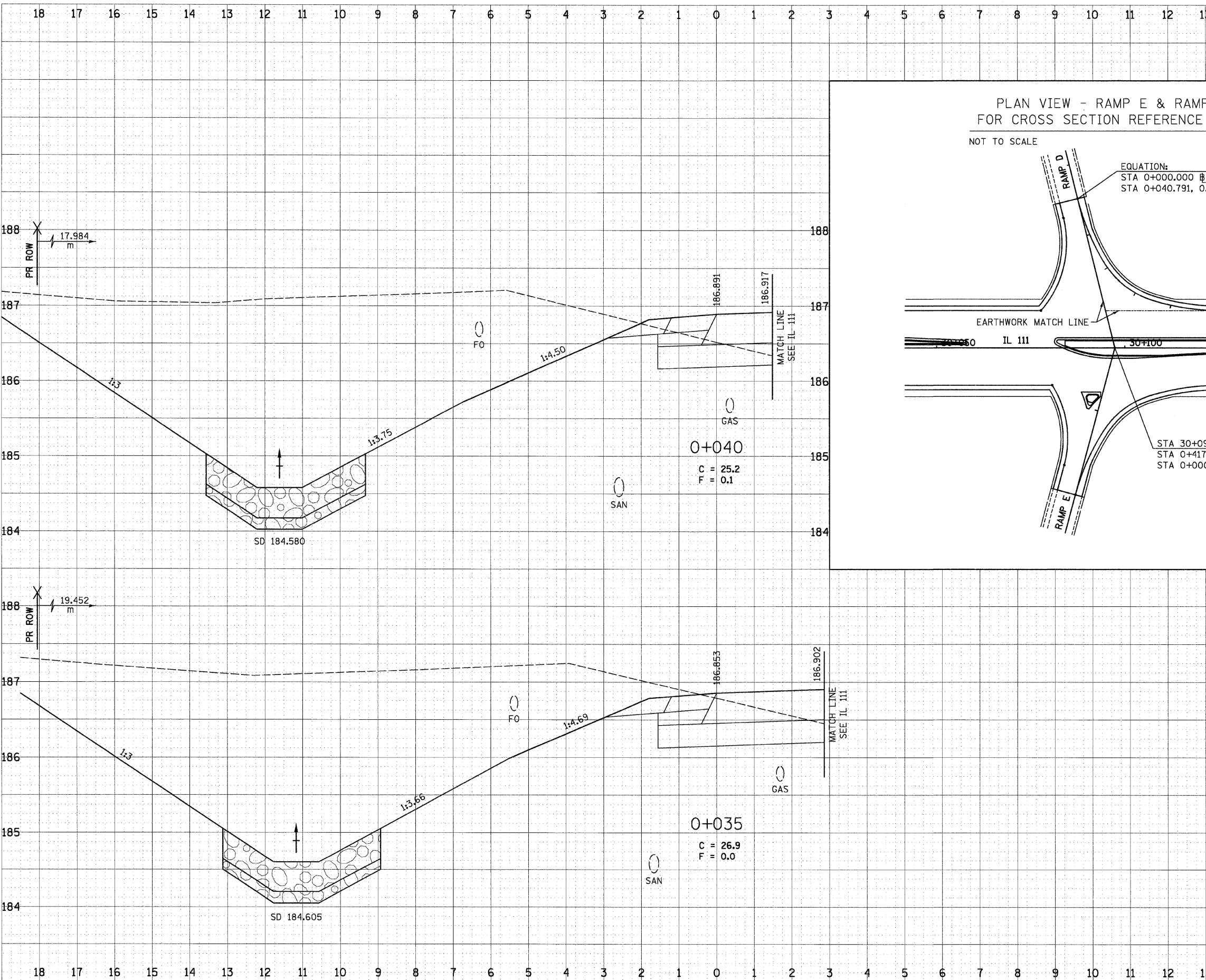
bgj

12/7/2007

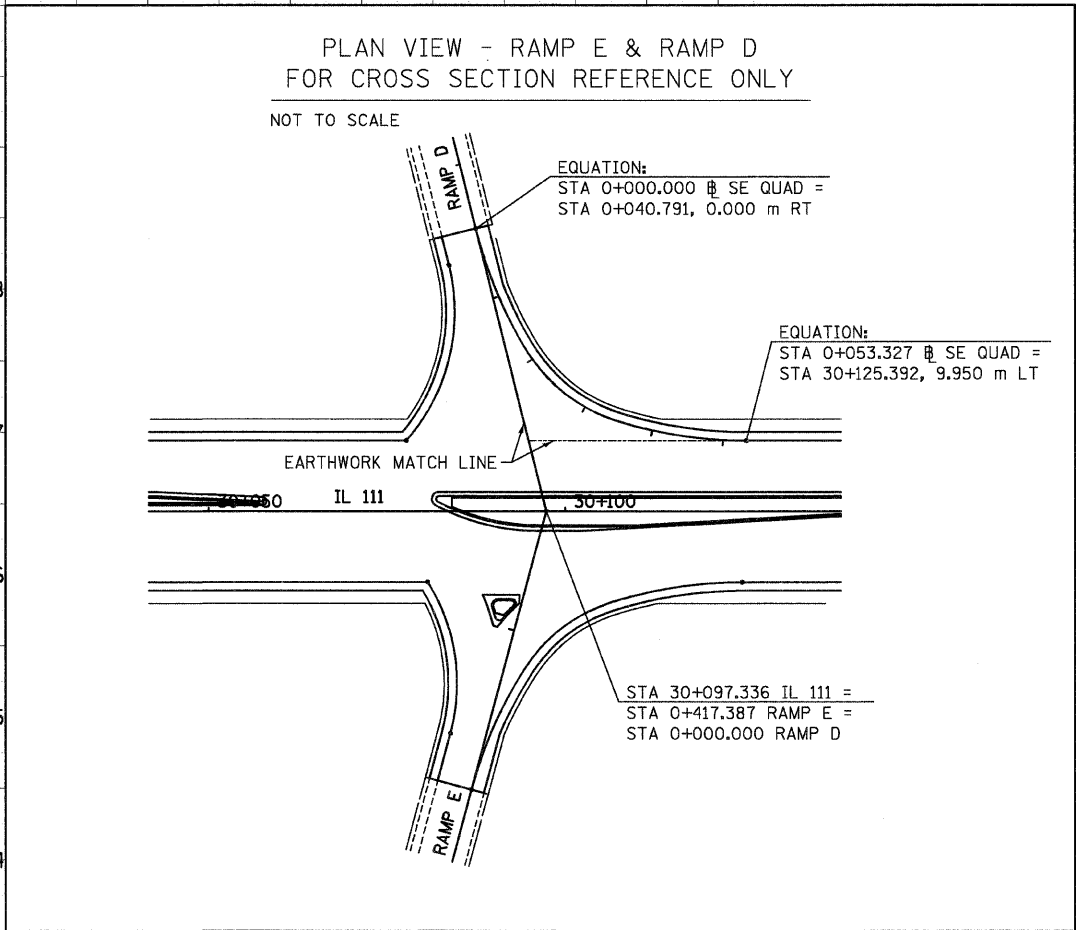
DATE	
BY	
SURVEYED	
TEMPLATE	
AREAS	
CHECKED	
NO.	

DATE	
BY	
SURVEYED	
TEMPLATE	
AREAS	
CHECKED	
NO.	

p:\00f.iles\000024\c11111\crosssections\1 rampd.dgn



FAP RTE	SECTION	COUNTY	TOTAL SHEETS	SHEET NO.
310	60-15-2 60-15HB-2	MADISON	272	224
STA.		TO STA.		
FED. ROAD DIST. NO.		ILLINOIS	FED. AID PROJECT	
CONTRACT NO. 76624				



SCALE	
HORIZONTAL:	1:50
VERTICAL:	1:25