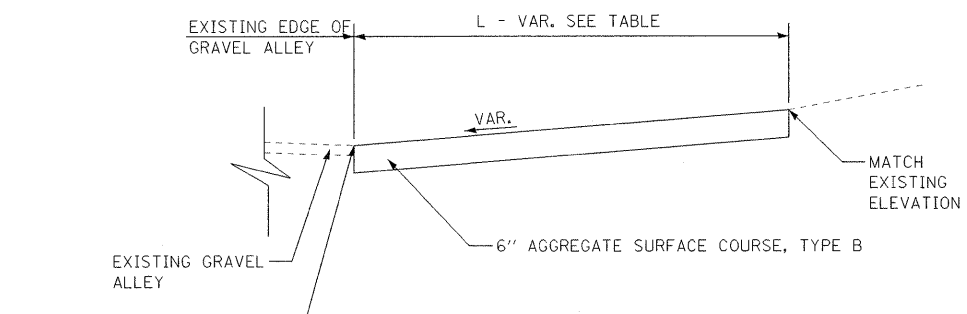
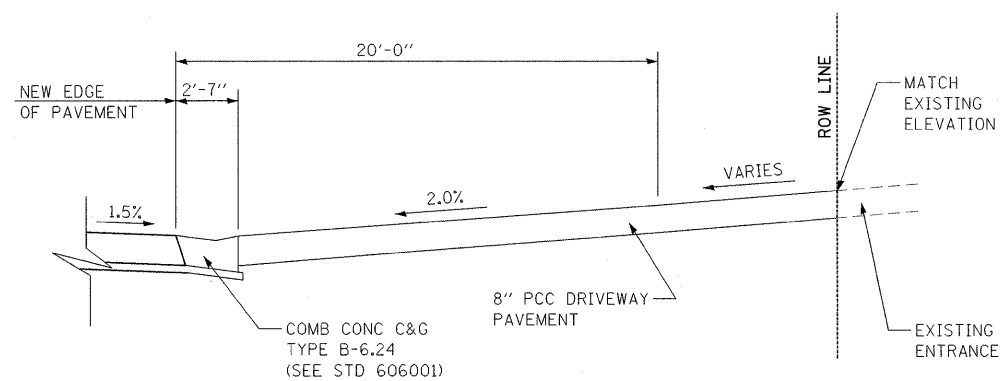


LENGTH TABLE

	L
ALLEY TURNAROUND #1	30
ALLEY TURNAROUND #2	32
ALLEY TURNAROUND #3	32
ALLEY TURNAROUND #4	30
ALLEY TURNAROUND #5	21



**SECTION G-G**  
**COMMERCIAL ENTRANCE DETAIL**  
 NOT TO SCALE  
 COMMERCIAL ENTRANCE ON BROADWAY AVE.

**SECTION C-C**  
**TYPICAL ALLEY TURNAROUND DETAIL**  
 NOT TO SCALE

NOTE: GRADE SIDE SLOPES TO MEET EXISTING GRADE, MAXIMUM OF 5'