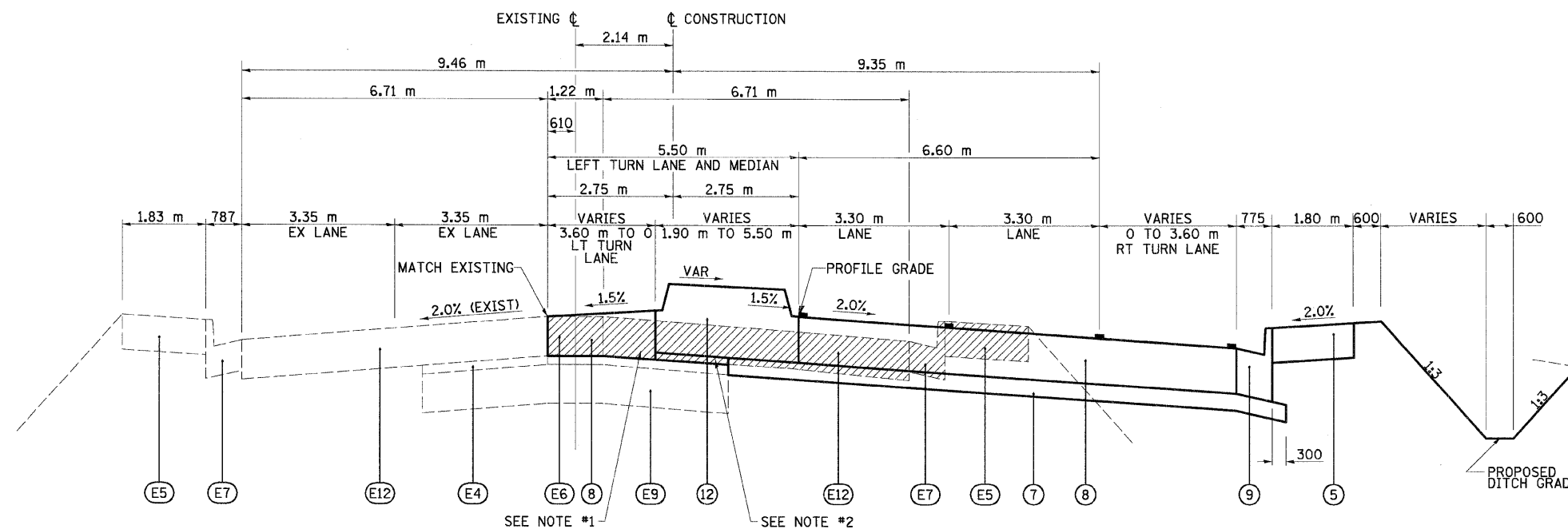
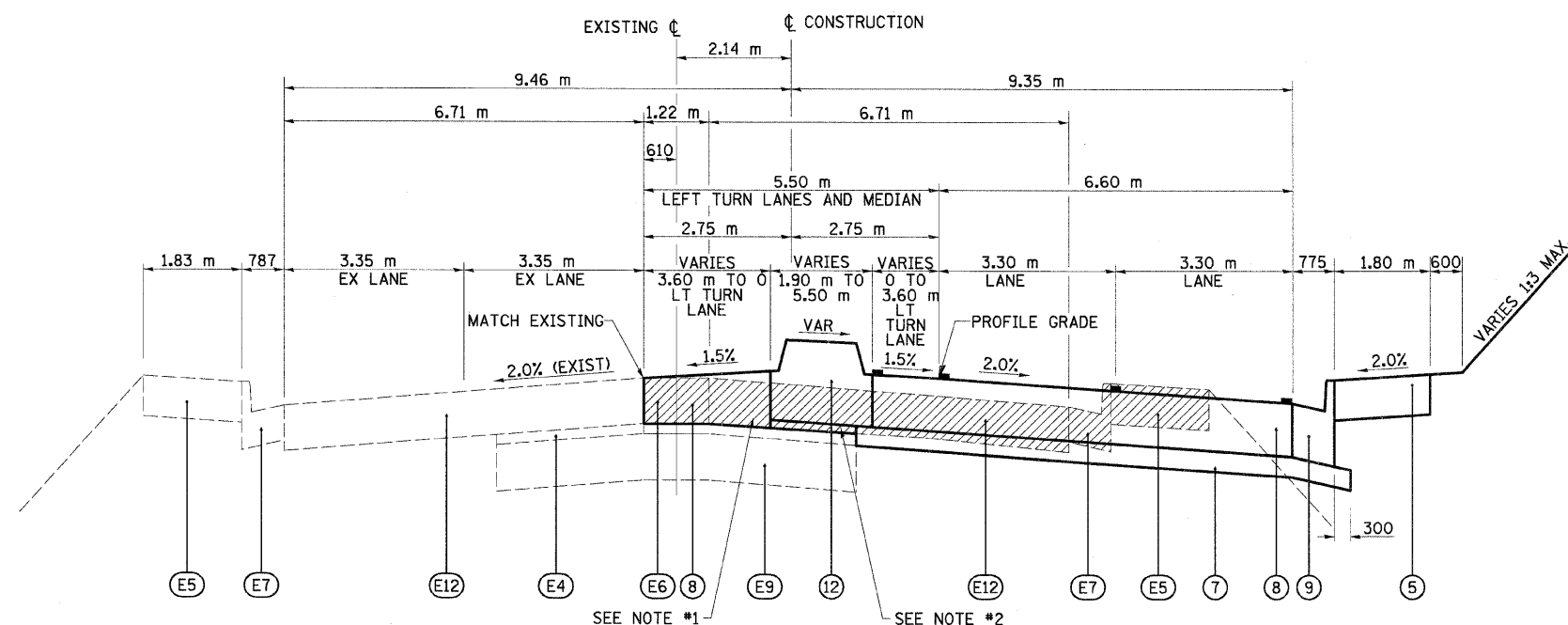


F.A.P. RTE.	SECTION	COUNTY	TOTAL SHEETS	SHEET NO.
310	60-15-1, 60-15HB-1	MADISON	238	12
STA.		TO STA.		
FED. ROAD DIST. NO.		ILLINOIS FED. AID PROJECT		
CONTRACT NO. 76635				

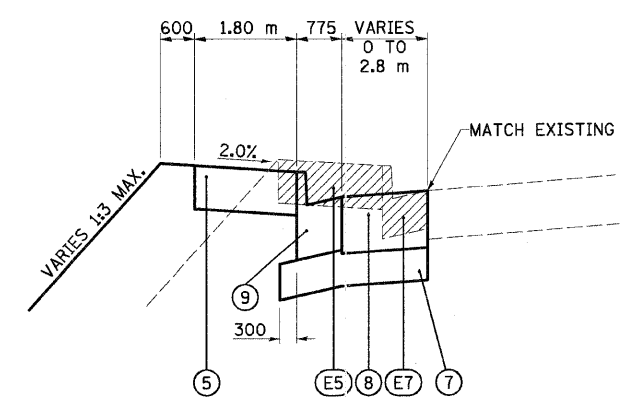


TYPICAL SECTION
C.H. 4 (HUMBERT ROAD)
 STA 19+763.868 TO STA 19+885.553

- LEGEND**
- (E4) EXISTING HOT-MIX ASPHALT SURFACE COURSE
 - (E5) EXISTING HOT-MIX ASPHALT SHOULDER
 - (E6) EXISTING CORRUGATED CONCRETE MEDIAN
 - (E7) EXISTING CURB AND GUTTER
 - (E9) EXISTING CEMENT AGGREGATE BASE
 - (E12) EXISTING PORTLAND CEMENT CONCRETE PAVEMENT, 229 mm
 - (5) HOT-MIX ASPHALT SHOULDERS, 200 mm
 - (7) AGGREGATE BASE COURSE, TYPE B, 100 mm
 - (8) PORTLAND CEMENT CONCRETE PAVEMENT (JOINTED) - STD 420601, 230 mm
 - (9) COMBINATION CONCRETE CURB AND GUTTER, TYPE B-15.60
 - (12) CONCRETE MEDIAN, SB-15 SPECIAL (SEE DETAILS)



TYPICAL SECTION
C.H. 4 (HUMBERT ROAD)
 STA 19+885.553 TO STA 19+906.205
 STA 19+929.400 TO STA 20+070.600
 STA 20+098.392 TO STA 20+242.666
 STA 20+292.388 TO STA 20+335.920



LEFT SIDE
C.H. 4 (HUMBERT ROAD)
 STA 20+035.361 TO STA 20+092.047

- NOTES:**
- ADDITIONAL THICKNESS REQUIRED. COST INCLUDED IN PCC PAVEMENT.
 - CORRUGATED MEDIAN OR AGG BASE SCOURSE, TY B, COST INCLUDED IN CORRUGATED MEDIAN.
 - DENOTES PAVEMENT MARKING (SEE PAVEMENT MARKING PLAN SHEETS)

REVISIONS	
NAME	DATE

ILLINOIS DEPARTMENT OF TRANSPORTATION
TYPICAL SECTIONS
 FAP 310 (IL 255)
 SECTIONS 60-15-1, 60-15HB-1
 MADISON COUNTY
 DRAWN BY _____
 CHECKED BY _____
 DATE _____

p:\00files\20024\dhumbert\typsection\015b.dgn