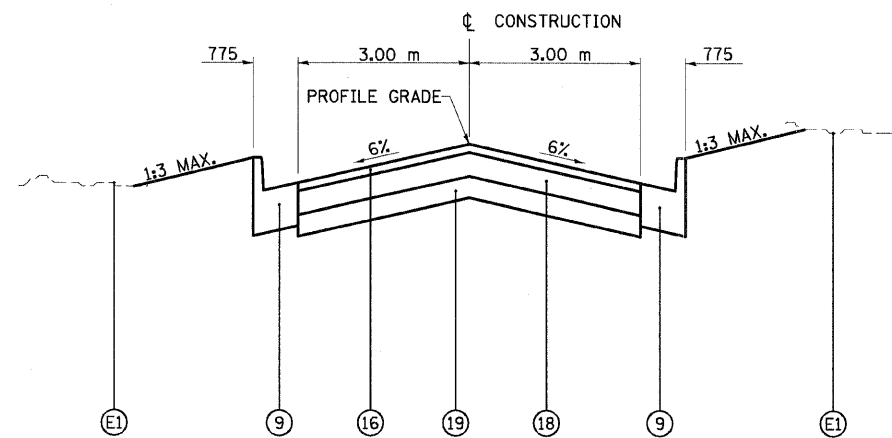
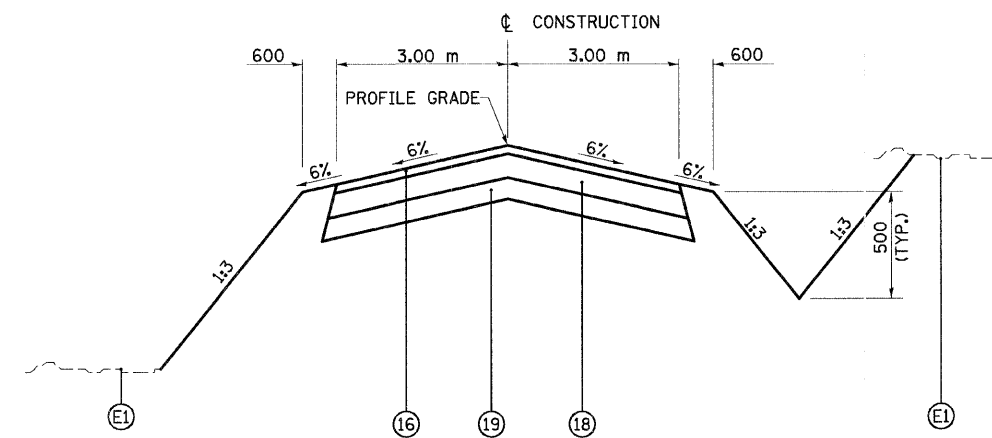


F.A.P. RTE.	SECTION	COUNTY	TOTAL SHEETS	SHEET NO.
310	60-15-1, 60-15HB-1	MADISON	238	16
STA.	TO STA.			
FED. ROAD DIST. NO.	ILLINOIS FED. AID PROJECT			
CONTRACT NO. 76635				



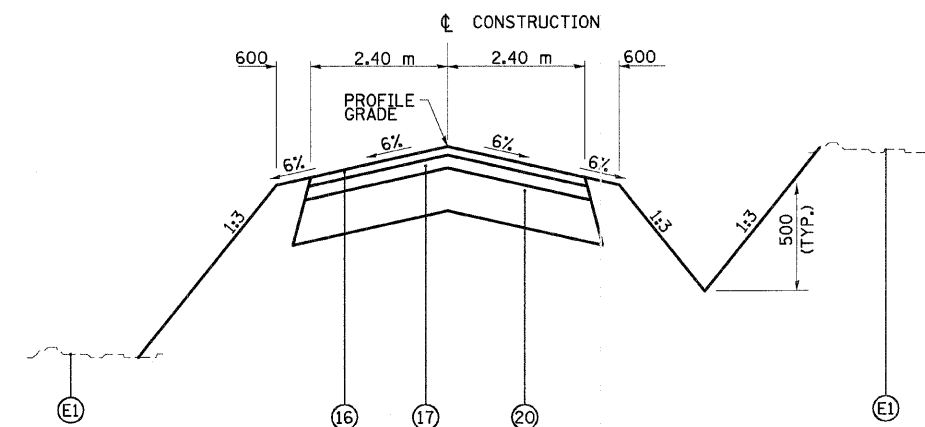
TYPICAL SECTION
HUMBERT SERVICE DRIVE 1
 STA 40+009.471 TO STA 40+030.000



TYPICAL SECTION
HUMBERT SERVICE DRIVE 1
 STA 40+030.000 TO STA 40+118.974

LEGEND

- (E1) EXISTING GROUND
- (9) COMBINATION CONCRETE CURB AND GUTTER, TYPE B-15.60
- (16) HOT-MIX ASPHALT SURFACE COURSE, MIX "C", N70, 40 mm
- (17) HOT-MIX ASPHALT BINDER COURSE, IL-19.0, N70, 60 mm
- (18) HOT-MIX ASPHALT BINDER COURSE, IL-19.0, N70, 110 mm
- (19) AGGREGATE BASE COURSE, TYPE B, 100 mm
- (20) AGGREGATE BASE COURSE, TYPE B, 200 mm



TYPICAL SECTION
HUMBERT SERVICE DRIVE 2
SEILER SERVICE DRIVE 1

HUMBERT SERVICE DRIVE 2: STA 59+913.070 TO STA 59+990.503
 SEILER SERVICE DRIVE 1: STA 69+908.076 TO STA 69+993.942

REVISIONS	
NAME	DATE

ILLINOIS DEPARTMENT OF TRANSPORTATION
 TYPICAL SECTIONS
 FAP 310 (IL 255)
 SECTIONS 60-15-1, 60-15HB-1
 MADISON COUNTY
 DRAWN BY
 CHECKED BY
 DATE