

F.A.P. RTE.	SECTION	COUNTY	TOTAL SHEETS	SHEET NO.
310	60-15-1, 60-15HB-1	MADISON	238	83
STA.		TO STA.		
FED. ROAD DIST. NO.		ILLINOIS FED. AID PROJECT		
CONTRACT NO. 76635				

POINT	STATION	OFFSET	ELEVATION
A1	19+862.161	12.950 RT	187.731
A2	19+865.822	13.061 RT	187.738
A3	19+869.470	13.390 RT	187.740
A4	19+873.090	13.938 RT	187.737
A5	19+876.672	14.702 RT	187.731
A6	19+880.202	15.680 RT	187.720
A7	19+884.311	17.404 RT	187.695
A8	19+888.011	19.888 RT	187.654
A9	19+891.162	23.039 RT	187.599
A10	0+026.738	4.454 RT	187.540
A11	0+030.848	2.730 RT	187.485
A12	0+034.378	1.752 RT	187.435
A13	0+037.959	0.988 RT	187.385
A14	0+041.581	0.439 RT	187.331
A15	0+045.228	0.110 RT	187.274
A16	0+048.889	0.000 RT	187.214

POINT	STATION	OFFSET	ELEVATION
B1	19+910.334	9.350 RT	187.919
B2	19+907.775	12.519 RT	187.850
B3	0+016.036	7.622 LT	187.743
B4	0+019.821	6.121 LT	187.628
B5	0+023.790	5.208 LT	187.563
B6	0+027.850	4.900 LT	187.499

POINT	STATION	OFFSET	ELEVATION
C1	0+385.225	4.900 LT	187.766
C2	0+389.725	5.278 LT	187.728
C3	0+394.099	6.400 LT	187.708
C4	19+903.777	17.816 LT	187.705
C5	19+905.217	13.535 LT	187.798
C6	19+907.350	9.554 LT	187.884

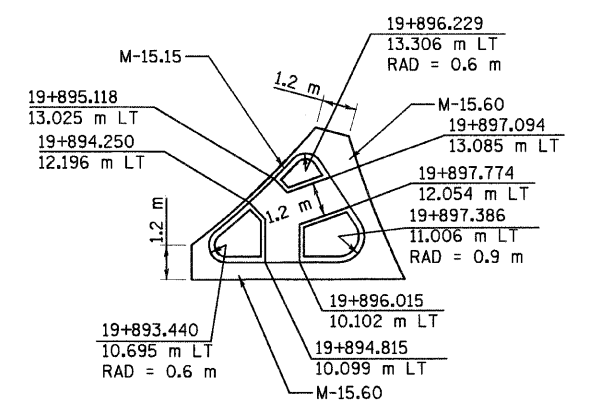
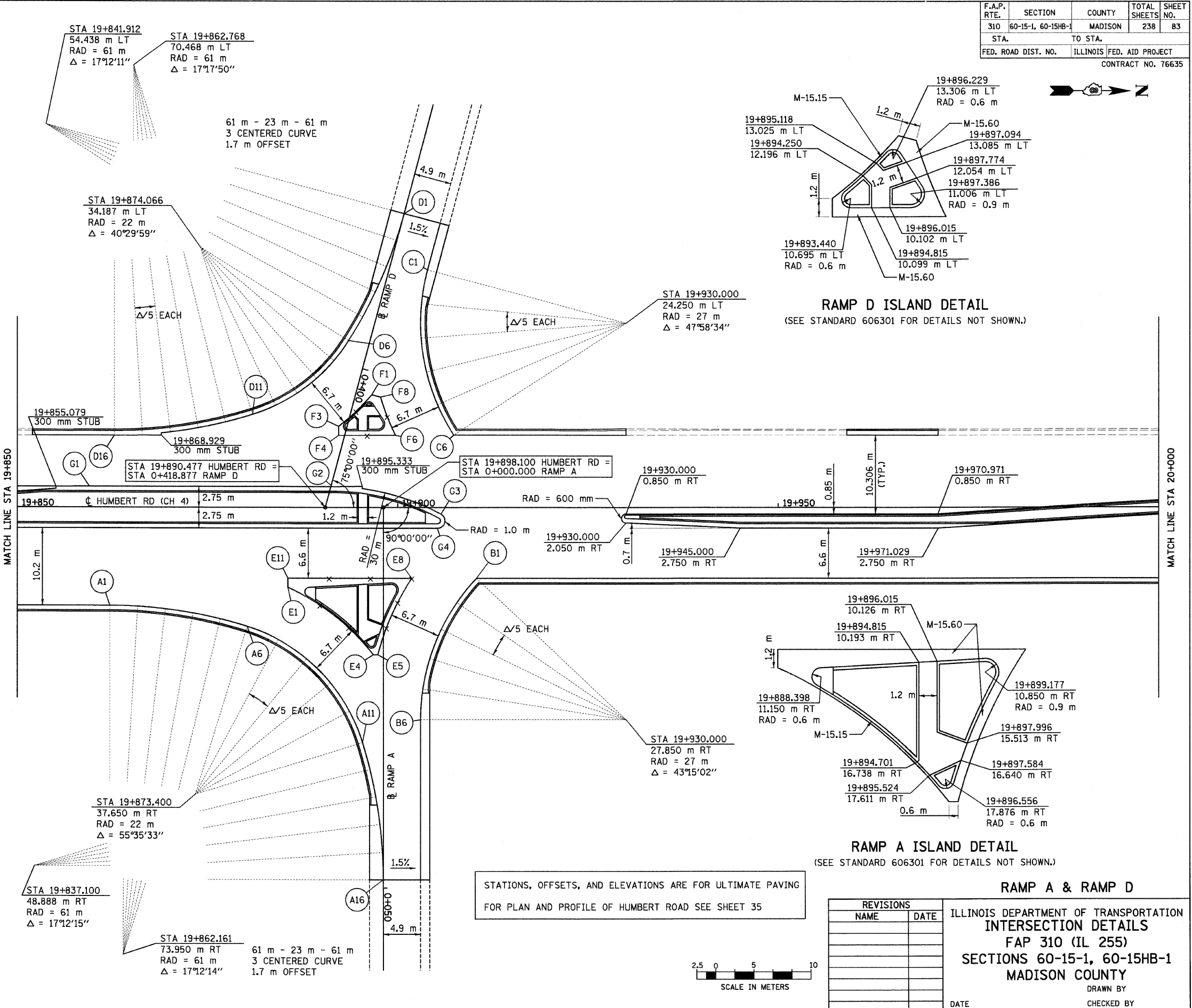
POINT	STATION	OFFSET	ELEVATION
D1	0+378.865	0.000 RT	187.926
D2	0+382.524	0.110 RT	187.870
D3	0+386.173	0.440 RT	187.824
D4	0+389.793	0.987 RT	187.780
D5	0+393.375	1.751 RT	187.730
D6	0+396.905	2.729 RT	187.705
D7	0+399.933	3.906 RT	187.690
D8	0+402.765	5.499 RT	187.710
D9	0+405.344	7.475 RT	187.725
D10	0+407.619	9.794 RT	187.741
D11	19+880.904	12.226 LT	187.756
D12	19+877.357	11.240 LT	187.768
D13	19+873.756	10.465 LT	187.775
D14	19+870.116	9.912 LT	187.777
D15	19+866.449	9.579 LT	187.774
D16	19+862.768	9.468 LT	187.766

POINT	STATION	OFFSET	ELEVATION
E1	19+885.553	10.550 RT	187.805
E2	19+889.759	12.862 RT	187.777
E3	19+893.537	15.820 RT	187.739
E4	19+896.790	19.347 RT	187.693
E5	19+897.390	19.348 RT	187.693
E6	19+898.505	15.860 RT	187.763
E7	19+899.991	12.515 RT	187.834
E8	19+901.832	9.350 RT	187.898
E9	19+896.405	9.350 RT	187.885
E10	19+890.979	9.350 RT	187.872
E11	19+885.553	9.350 RT	187.859

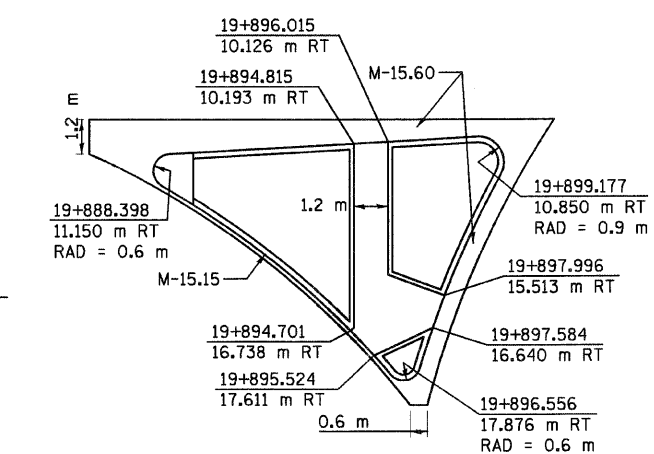
POINT	STATION	OFFSET	ELEVATION
F1	19+896.580	14.816 LT	187.796
F2	19+894.512	12.644 LT	187.806
F3	19+892.234	10.691 LT	187.815
F4	19+892.235	9.491 LT	187.840
F5	19+895.964	9.502 LT	187.849
F6	19+899.693	9.512 LT	187.861
F7	19+898.616	11.970 LT	187.851
F8	19+897.739	14.506 LT	187.828

POINT	STATION	OFFSET	ELEVATION
G1	19+859.468	2.750 LT	187.898
G2	19+891.394	2.750 LT	187.990
G3	19+905.681	0.871 RT	188.077
G4	19+902.205	2.750 RT	188.031

• - MATCH EXISTING PAVEMENT ELEVATIONS

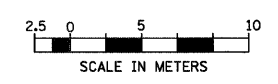


**RAMP D ISLAND DETAIL**  
(SEE STANDARD 606301 FOR DETAILS NOT SHOWN.)



**RAMP A ISLAND DETAIL**  
(SEE STANDARD 606301 FOR DETAILS NOT SHOWN.)

STATIONS, OFFSETS, AND ELEVATIONS ARE FOR ULTIMATE PAVING  
FOR PLAN AND PROFILE OF HUMBERT ROAD SEE SHEET 35



REVISIONS	
NAME	DATE

ILLINOIS DEPARTMENT OF TRANSPORTATION  
**INTERSECTION DETAILS**  
FAP 310 (IL 255)  
SECTIONS 60-15-1, 60-15HB-1  
MADISON COUNTY  
DRAWN BY \_\_\_\_\_  
CHECKED BY \_\_\_\_\_  
DATE \_\_\_\_\_

p:\2024\02024\HUMBERT\Details\Misc\intdet\015b-rampAD.dgn