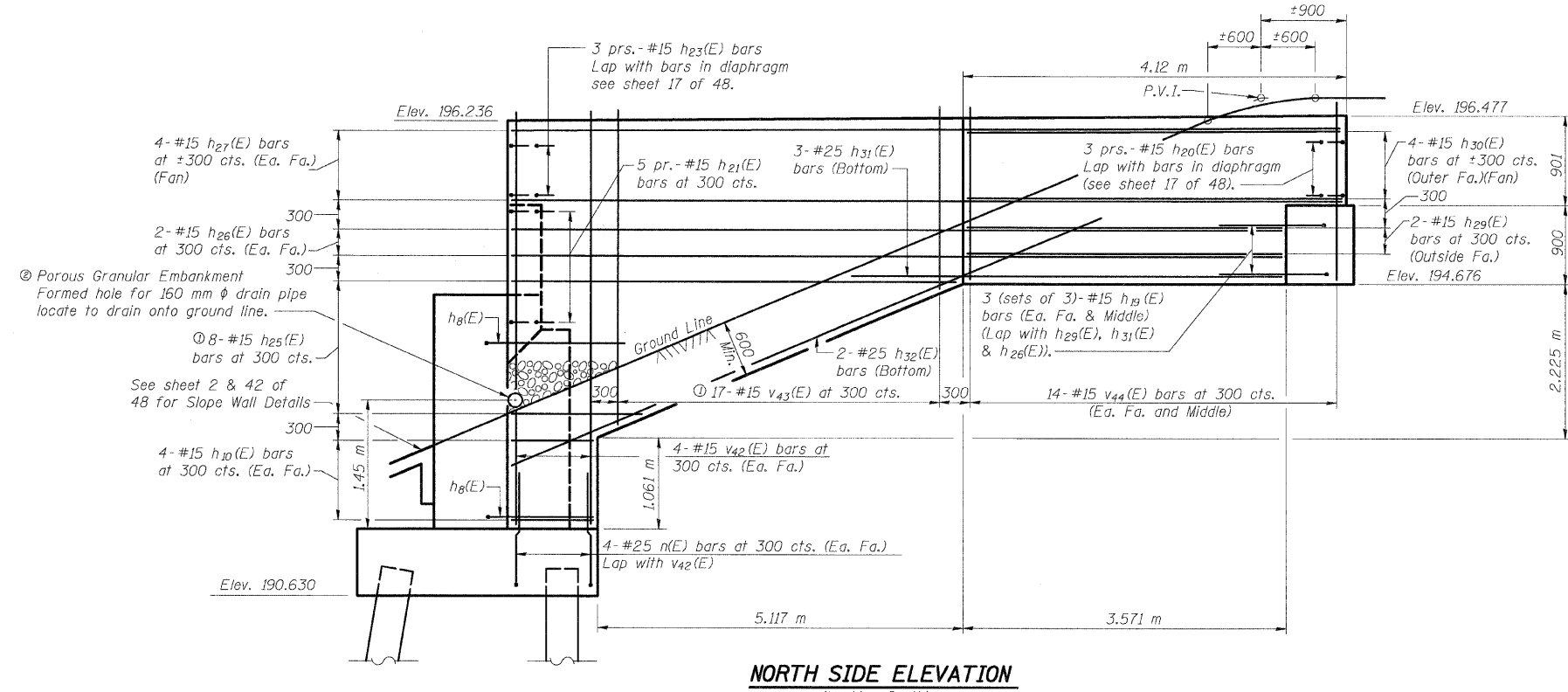
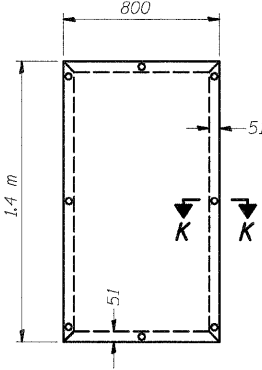


ROUTE NO.	SECTION	COUNTY	SHEET NO.	SHEET NO.
F.A.P. 310	*	MADISON	239	156
FED. ROAD DIST. NO. 7	ILLINOIS	FED. AID PROJECT	* 60-15HB-1 CONTRACT NO. 76635	

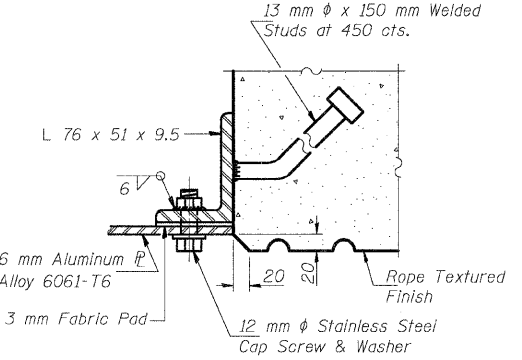
SHEET NO. 34  
48 SHEETS



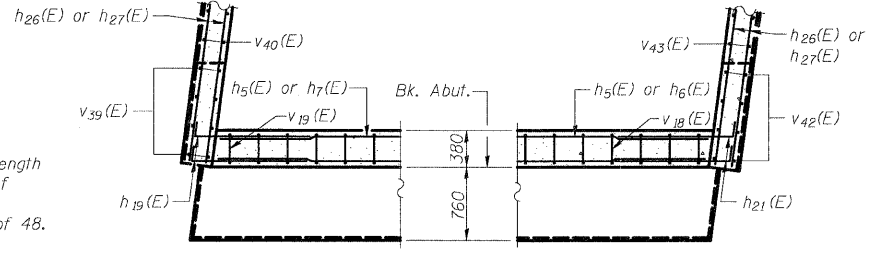
**NORTH SIDE ELEVATION**  
(Looking South)



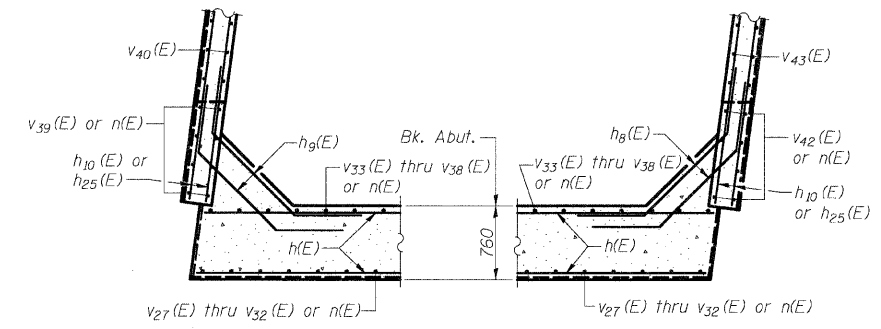
**DOOR ELEVATION**  
Cost of door and frame are included with "Concrete Structures".



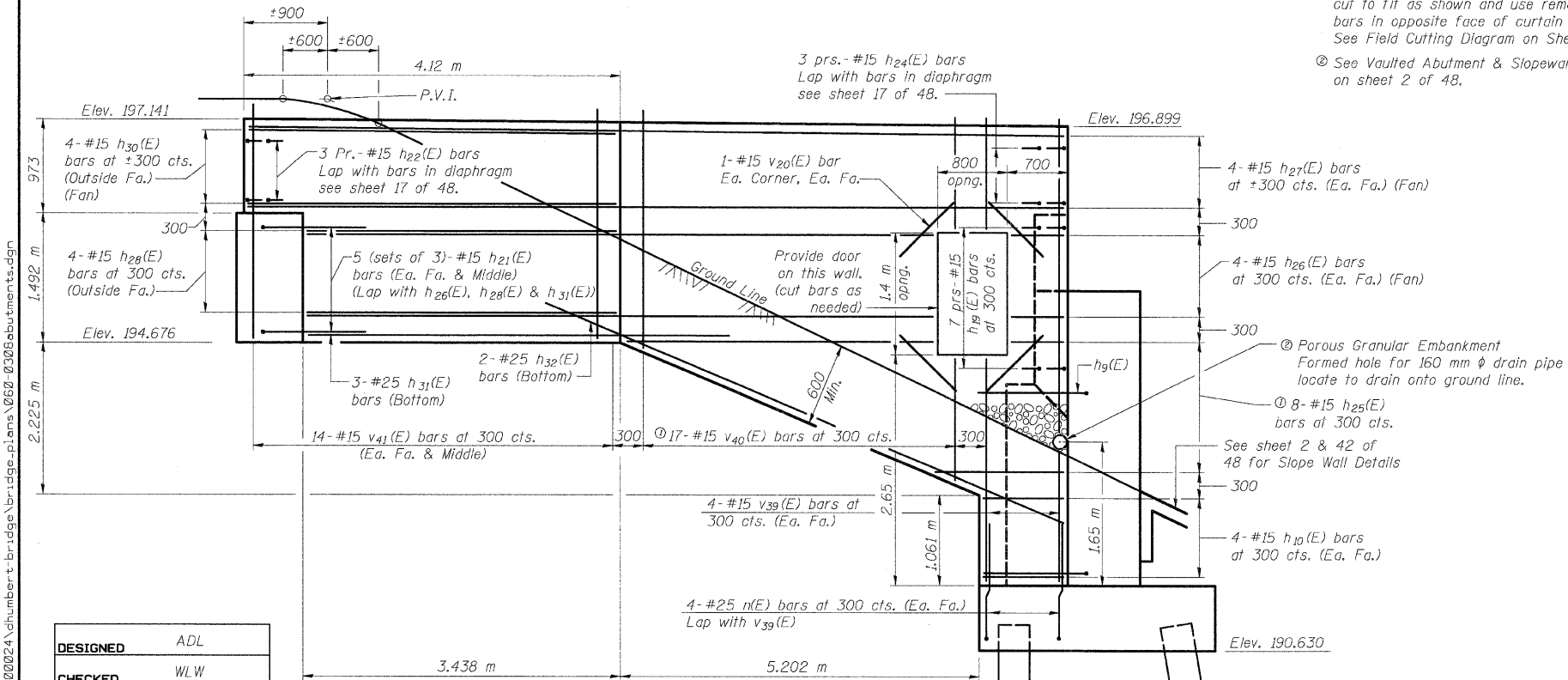
**SECTION K-K**



**SECTION J-J**



**SECTION I-I**



**SOUTH SIDE ELEVATION**  
(Looking North)

Order h25(E), v43(E) & v40(E) bars full length cut to fit as shown and use remainder of bars in opposite face of curtain wall. See Field Cutting Diagram on Sheet 32 of 48.  
See Vaulted Abutment & Slope Wall Detail on sheet 2 of 48.

DESIGNED	ADL
CHECKED	WLW
DRAWN	ADL/DGM
CHECKED	WLW

p:\2011\11-02-2011\chamber-t-bridge\bridge-plans\060-0308\abutments.dgn

Note: Work this sheet with sheets 32 & 33 of 48.

**N.B. WEST ABUTMENT (3 OF 3)**  
**FAP RTE. 310 (IL RTE. 255) OVER**  
**CH ROUTE 4 (HUMBERT ROAD)**  
**SECTION 60-15HB-1**  
**MADISON COUNTY**  
**STATION 38+829.909**  
**SN 060-0308 (NB) & 060-0309 (SB)**

Klingner & Assoc., P.C.