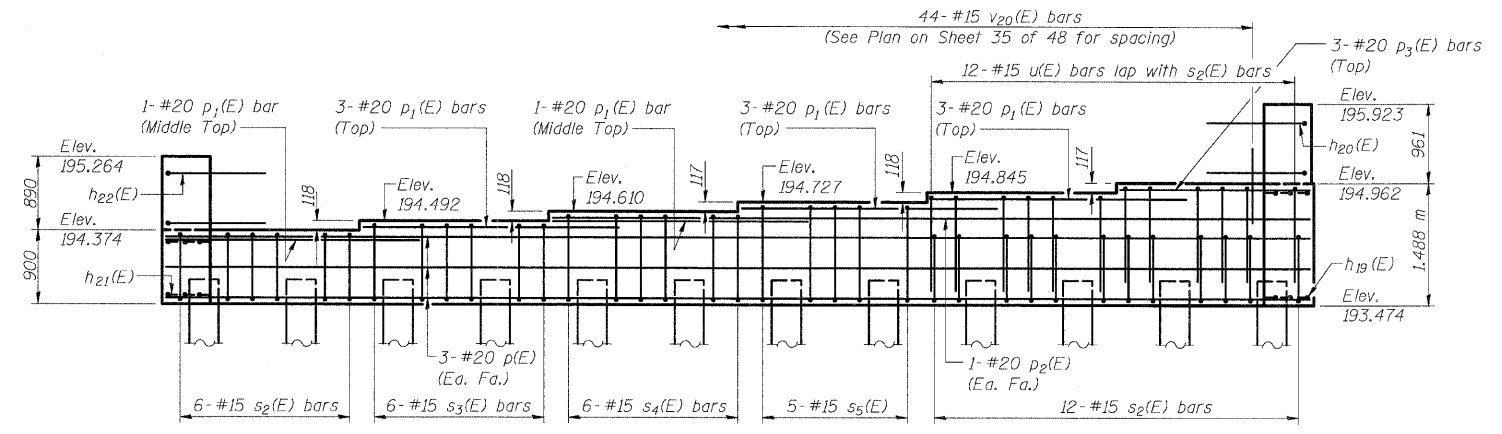


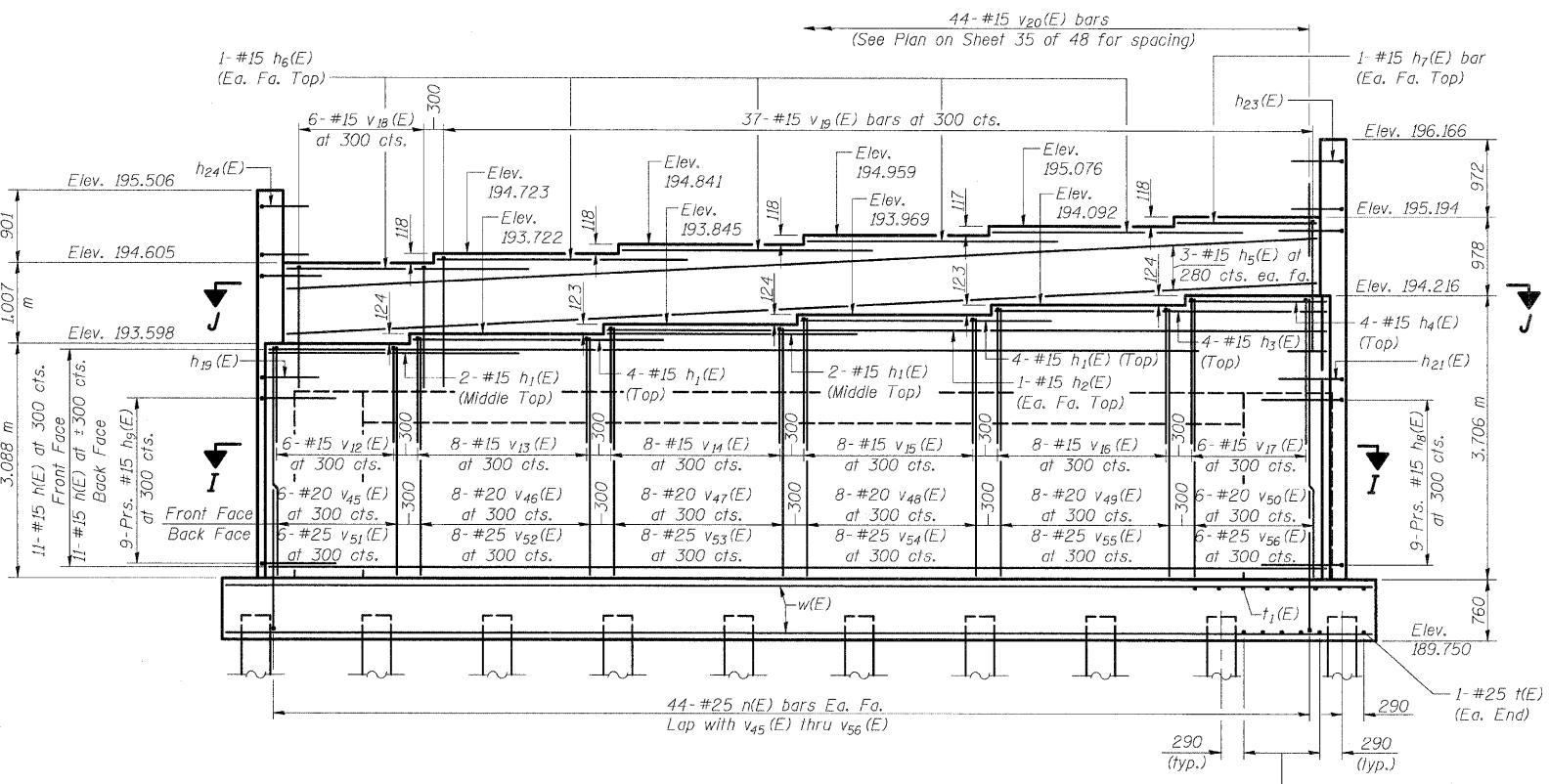
12:07:59 PM  
 12/10/2007  
 P:\001\es\000224\chumber-t-bridge\bridge.plans\060-0308\abutments.dgn

ROUTE NO.	SECTION	COUNTY	SHEET NO.	SHEET NO.
F.A.P. 310	*	MADISON	239	158
FED. ROAD DIST. NO. 7		ILLINOIS	FED. AID PROJECT	
* 60-15HB-1		CONTRACT NO. 76635		



**VIEW H-H**

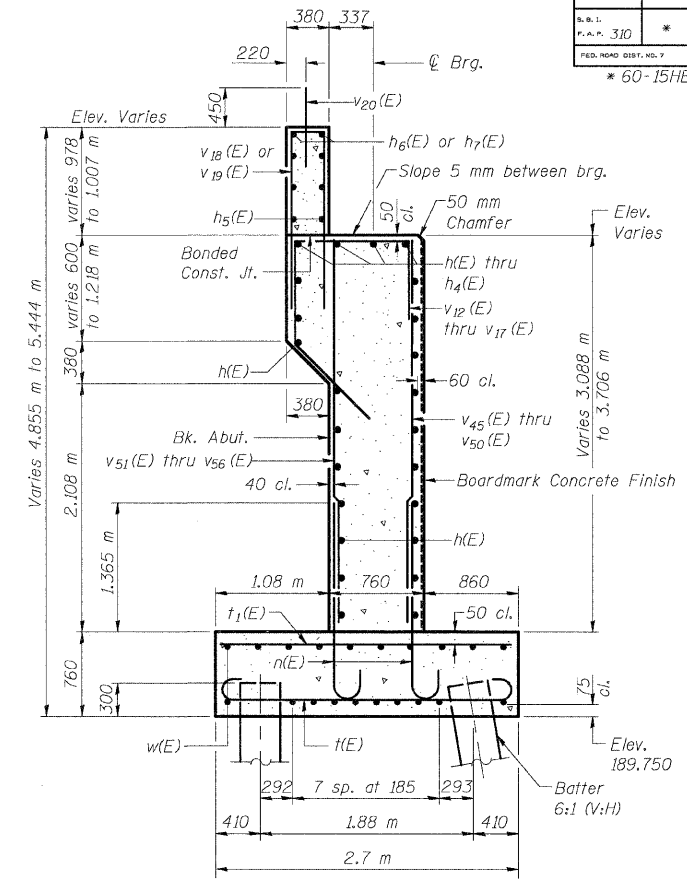
See Plan on Sheet 35 of 48 for spacing of s2(E) thru s5(E)



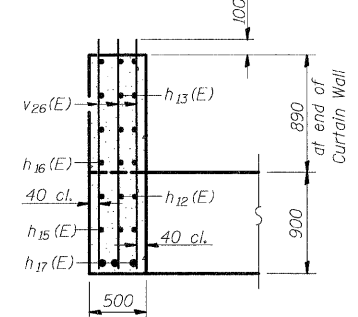
**VIEW C-C**

DESIGNED	ADL
CHECKED	WLW
DRAWN	ADL/DGM
CHECKED	WLW

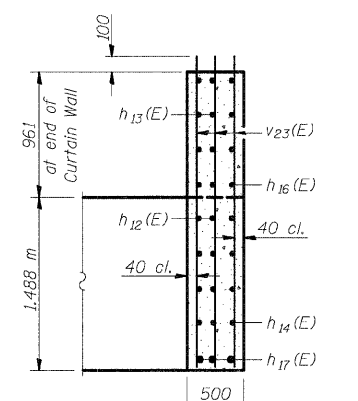
Note:  
Work this sheet with sheets 35 & 37 of 48.



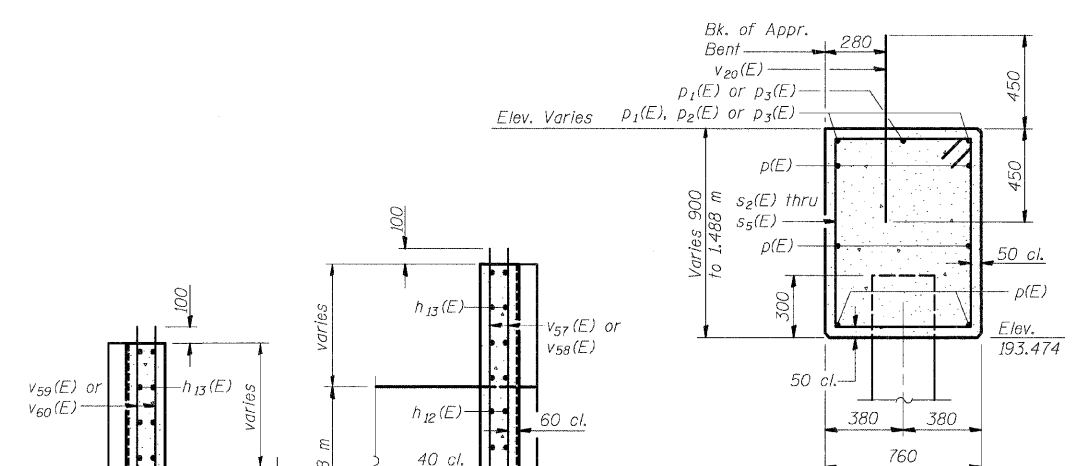
**SECTION A-A**



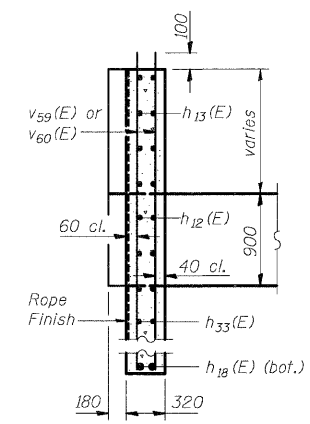
**SECTION E-E**



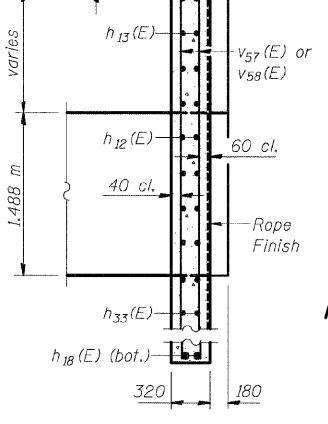
**SECTION G-G**



**SECTION B-B**



**SECTION D-D**



**SECTION F-F**

**S.B. EAST ABUTMENT (2 OF 3)**  
**FAP RTE. 310 (IL RTE. 255) OVER**  
**CH ROUTE 4 (HUMBERT ROAD)**  
**SECTION 60-15HB-1**  
**MADISON COUNTY**  
**STATION 38+829.909**  
**SN 060-0308 (NB) & 060-0309 (SB)**

Klingner & Assoc., P.C.